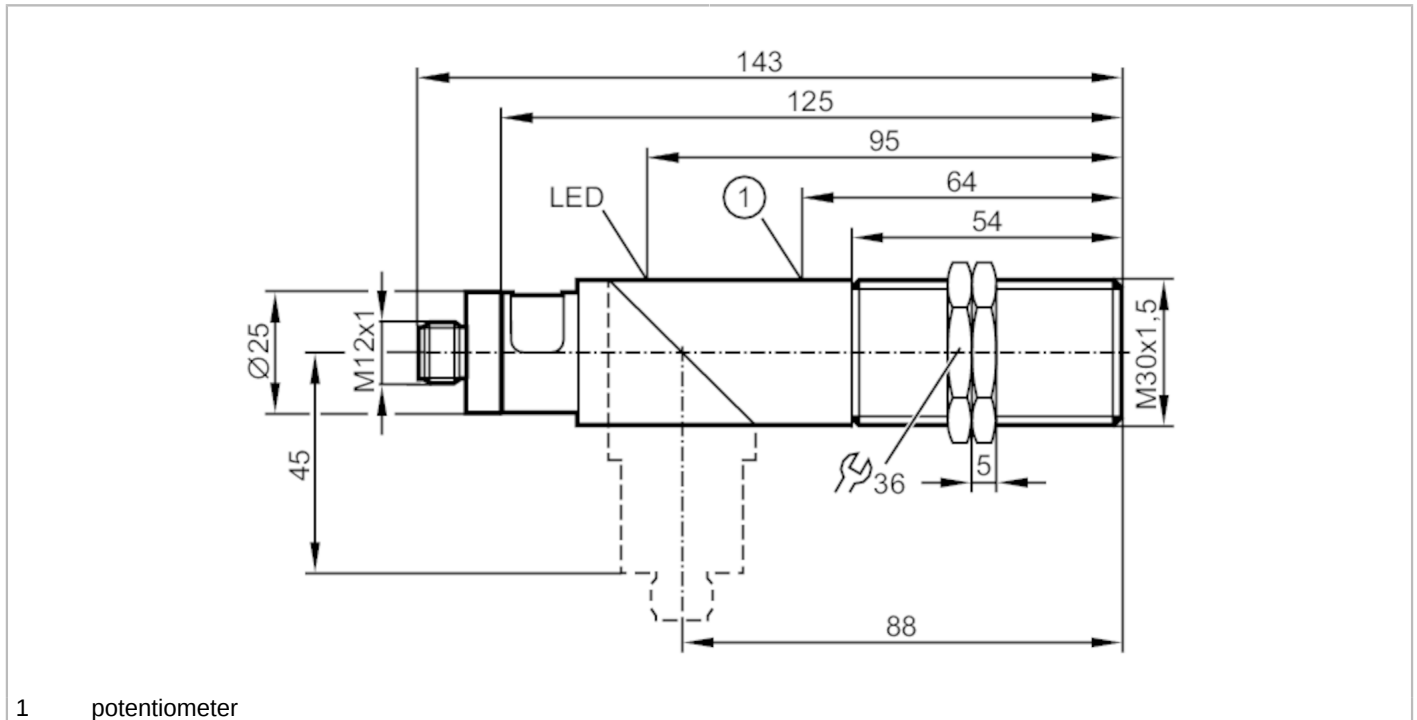


KI5052



Capacitive sensor

KIE3015-FPKG/NI/55V/US-100-DPX



Product characteristics	
Electrical design	PNP
Output function	normally open / normally closed; (selectable)
Sensing range [mm]	15
Housing	threaded type
Dimensions [mm]	M30 x 1.5 / L = 143
Electrical data	
Operating voltage [V]	10...55 DC; ("supply class 2" to cULus)
Current consumption [mA]	14; (24 V)
Protection class	II
Reverse polarity protection	yes
Outputs	
Electrical design	PNP
Output function	normally open / normally closed; (selectable)
Max. voltage drop switching output DC [V]	2.5
Permanent current rating of switching output DC [mA]	250
Switching frequency DC [Hz]	40
Short-circuit proof	yes
Overload protection	yes
Detection zone	
Sensing range [mm]	15

KI5052



Capacitive sensor

KIE3015-FPKG/NI/55V/US-100-DPX

Operating conditions		
Ambient temperature	[°C]	-25...70
Protection		IP 65
Increased immunity		yes; (increased immunity to conducted radio frequency interference)
Tests / approvals		
EMC		EN 60947-5-2
MTTF	[years]	743
Mechanical data		
Weight	[g]	146
Housing		threaded type
Mounting		non-flush mountable
Dimensions	[mm]	M30 x 1.5 / L = 143
Thread designation		M30 x 1.5
Materials		PBT; end cap: PC
Displays / operating elements		
Display	switching status	1 x LED, yellow
Accessories		
Items supplied		lock nuts: 2 screwdriver: 1
Remarks		
Pack quantity		1 pcs.

Electrical connection - plug

Connector: 1 x M12; coding: A



Connection

