

Magnetic gripper

SGM 40 G1/4-IG

Part no.:10.01.17.00163

<https://www.schmalz.com/10.01.17.00163>

Home > Vacuum Technology for Automation > Vacuum Components > Special Grippers > Magnetic Grippers > Magnetic Grippers SGM > SGM 40 G1/4-IG

Magnetic gripper for handling metal sheets with holes



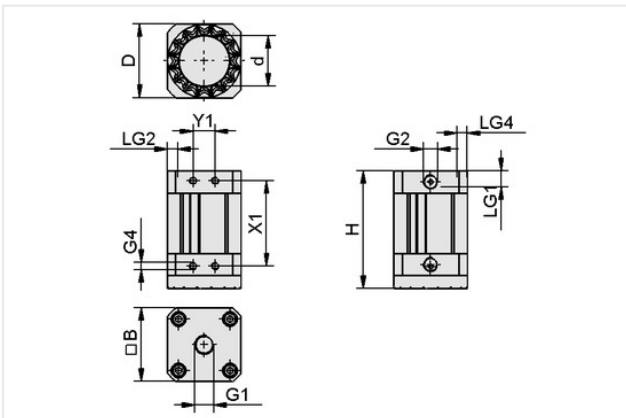
Size: 40

Socket: G1/4"-F

Holding force max. friction ring: 100 N

Pressure range (operating pressure): 3.5 ... 6.0 bar

Design Data



Attribute	Value
B	40.65 mm
D	40 mm
d	26 mm
G1	G1/4"-F
G2	G1/8"-F
G4	M4-F
H	70.20 mm
LG1	11 mm
LG2	6 mm
LG4	7 mm
X1	46 mm
Y1	12 mm

Technical Data

Attribute	Value
Holding force max. friction ring	100 N
Remaining force	0.30 N
Pressure range (operating pressure)	3.5 ... 6.0 bar
Installation position	BEL
Control valve	Bistable
Operating temperature	5 ... 70 °C

Contact Schmalz

Schmalz Inc. | 5850 Oak Forest Drive, Raleigh, NC 27616, United States | +1 (919) 713-0880 | schmalz.us@schmalz.com

Magnetic gripper

SGM 40 G1/4-IG

Part no...:10.01.17.00163

<https://www.schmalz.com/10.01.17.00163>

Weight	240 g
Product family	SGM

Note: Holding force: The value given is a statistical value with no safety factor; based on a plate with a thickness of 2 mm. For system configurations with magnetic grippers SGM, a safety factor of $S = 3$ must be applied

Accessories



HTS-A2 SGM 30/40 OP

Part no...:10.01.17.00581

Connection 1: Bolt with slot $\varnothing 19\text{mm}$

Construction use: Magnetic gripper

Size: 30/40



HTS-A3 SGM 30/40 OP

Part no...:10.01.17.00558

Connection 1: Ball head 28.5 mm

Construction use: Magnetic gripper

Size: 30/40

Magnetic gripper

SGM 40 G1/4-IG

Part no...:10.01.17.00163

<https://www.schmalz.com/10.01.17.00163>



HTS-A2 D SGM 30/40 OP

Part no...:10.01.17.00586

Connection 1: Bolt with slot \varnothing 19mm

Construction use: Magnetic gripper

Size: 30/40

Shape: Double block



HTS-A3 D SGM 30/40 OP

Part no...:10.01.17.00582

Connection 1: Ball head 28.5 mm

Construction use: Magnetic gripper

Size: 30/40

Shape: Double block



HPS-SGM 2M6 30/40 OP

Part no...:10.01.17.00655

Construction use: Magnetic gripper

Connection 1: 2x screws M6

Size: 30/40

Shape: One-piece

Magnetic gripper

SGM 40 G1/4-IG

Part no...:10.01.17.00163

<https://www.schmalz.com/10.01.17.00163>



STV-GE G1/8-AG 6

Part no...:10.08.02.00204

Thread G1: G1/8"-M

Hose diameter: 6 mm

Material: Brass

Operating temperature: -20 ... 80 °C

External diameter D: 11.4 mm

Length L: 16.4 mm



STV-W G1/8-AG 6

Part no...:10.08.02.00158

Thread G1: G1/8"-M

Hose diameter: 6 mm

Material: Nickel plated

Operating temperature: -20 ... 80 °C

Length L: 20.1 mm



VSL 6-4 PU MI-TR

Part no...:10.07.09.00002

External diameter D: 6 mm

Internal diameter d: 4 mm

Length max.: 500 m

Material hose: PU

Bending radius min.: 35 mm

Pressure range (operating pressure): -0.95 ... 10.00 bar

Operating temperature: -20 ... 90 °C

Spare parts

Contact Schmalz

Schmalz Inc. | 5850 Oak Forest Drive, Raleigh, NC 27616, United States | +1 (919) 713-0880 | schmalz.us@schmalz.com

Magnetic gripper

SGM 40 G1/4-IG

Part no...:10.01.17.00163

<https://www.schmalz.com/10.01.17.00163>



REIB-RING SGM 40 PU-55

Part no...:10.01.17.00137

Construction use: Magnetic gripper

Size: 40

External diameter D: 40 mm

Internal diameter d: 26 mm