

DFLK-D37 SUB/B - Interface module



2280349

<https://www.phoenixcontact.com/us/products/2280349>

Please be informed that the data shown in this PDF document is generated from our online catalog. Please find the complete data in the user documentation. Our general terms of use for downloads are valid.



The VARIOFACE feed-through module implements a 1:1 connection between screw connection terminal blocks and a D-SUB miniature female strip (number of positions: 37). A separate ground pick-off is available.

Your advantages

- 9-pos. ... 50-pos.
- 9- to 37-pos.: separate ground pick-off
- 50-pos.: no ground pick-off
- In accordance with IEC 60807-2
- 1:1 connection
- Screw connection
- D-SUB 4-40 UNC thread

Commercial data

Item number	2280349
Packing unit	5 pc
Minimum order quantity	5 pc
Sales key	C422
Product key	CK2225
Catalog page	Page 556 (C-5-2019)
GTIN	4017918054458
Weight per piece (including packing)	136.8 g
Weight per piece (excluding packing)	136.8 g
Customs tariff number	85369010
Country of origin	DE

DFLK-D37 SUB/B - Interface module



2280349

<https://www.phoenixcontact.com/us/products/2280349>

Technical data

Product properties

Product type	Interface module
Product family	VARIOFACE
Number of positions	37

Insulation characteristics

Insulation	Functional insulation
------------	-----------------------

Insulation characteristics: Air clearances and creepage distances

Insulation	Functional insulation
Overvoltage category	II
Pollution degree	2

Electrical properties

Operating voltage (AC)	≤ 30 V AC
Operating voltage (DC)	≤ 60 V DC
Current (per branch)	≤ 2.5 A
Current (Total current)	≤ 50 A (50 °C)

Air clearances and creepage distances

Rated insulation voltage	125 V
Rated surge voltage	1.2 kV (1.2/50 μs)

Connection data

Connection 1 (control level)

Connection in acc. with standard	IEC 60807-2
Connection method	D-SUB socket strip
Screw thread	UNC 4-40
Number of connections	1
Number of positions	37
Insertion/withdrawal cycles	> 500
Pitch	2.77 mm

Connection 2 (field level)

Connection method	Screw connection
Stripping length	8 mm
Screw thread	M3
Number of positions	38
Conductor cross section rigid	0.2 mm ² ... 4 mm ²
Conductor cross section flexible	0.2 mm ² ... 2.5 mm ²
Conductor cross section AWG	24 ... 12

Signaling

DFLK-D37 SUB/B - Interface module



2280349

<https://www.phoenixcontact.com/us/products/2280349>

Status display present	No
------------------------	----

Dimensions

Item dimensions

Width	39.88 mm
Height	128.4 mm
Depth	33.03 mm

Material specifications

Color	gray (RAL 7042)
Housing insulation material	Polyamide PA non-reinforced

Environmental and real-life conditions

Ambient conditions

Degree of protection (Module)	IP20
Degree of protection (Installation location)	≥ IP54
Ambient temperature (operation)	-20 °C ... 50 °C
Ambient temperature (storage/transport)	-20 °C ... 70 °C
Altitude	≤ 2000 m

Approvals

UKCA

Certificate	UKCA-compliant
-------------	----------------

Standards and regulations

Air clearances and creepage distances

Standards/regulations	EN IEC 60664-1
-----------------------	----------------

Mounting

Mounting type	Rear mounting
Mounting position	any

Notes

General	For proper use, the specifications of the installation directive (see Downloads) must be observed. For applications or use with third-party products, the specifications, and the safety and warning instructions of the respective third-party manufacturer must also be met.
---------	--

DFLK-D37 SUB/B - Interface module

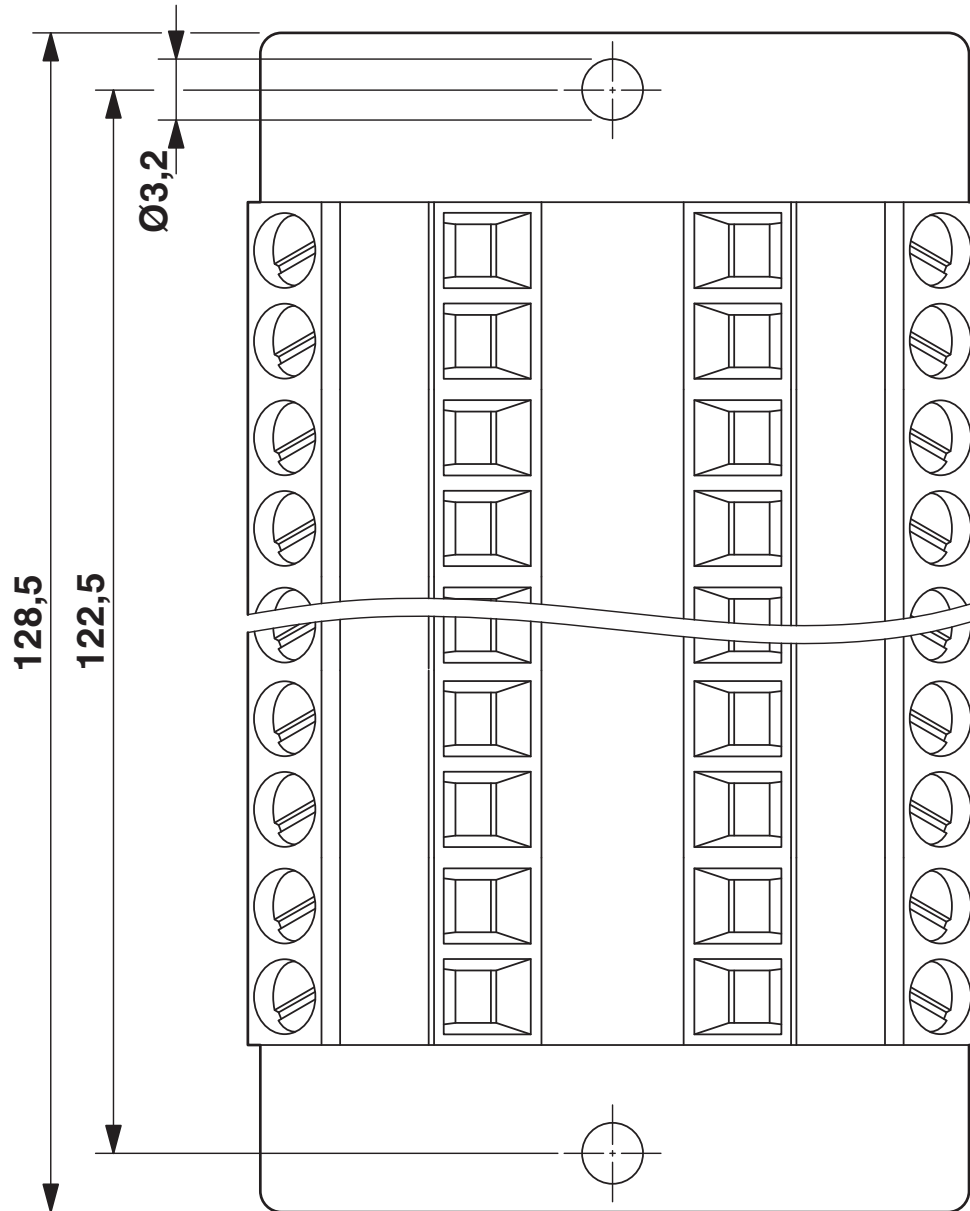


2280349

<https://www.phoenixcontact.com/us/products/2280349>

Drawings

Dimensional drawing



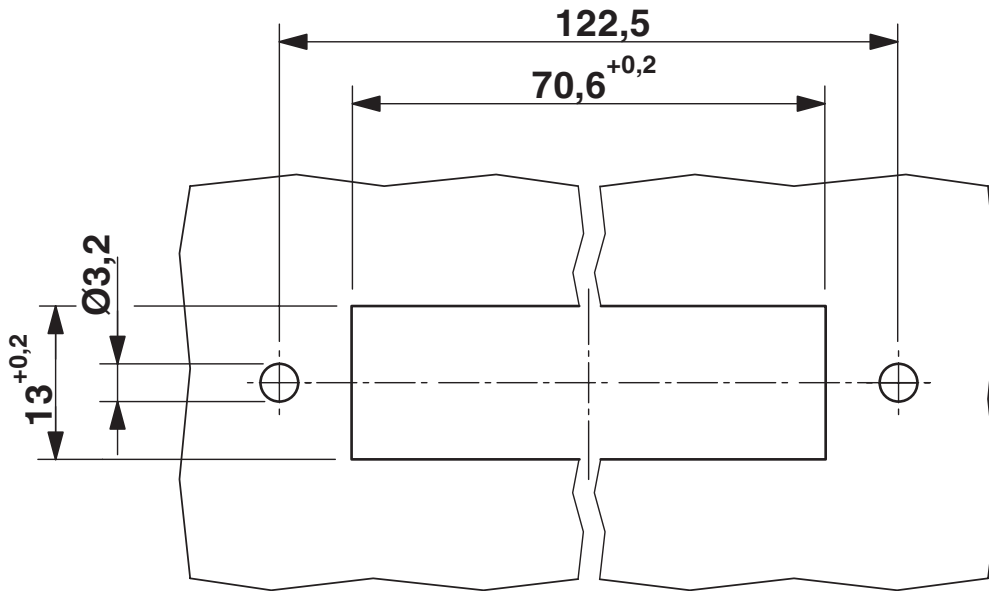
DFLK-D37 SUB/B - Interface module



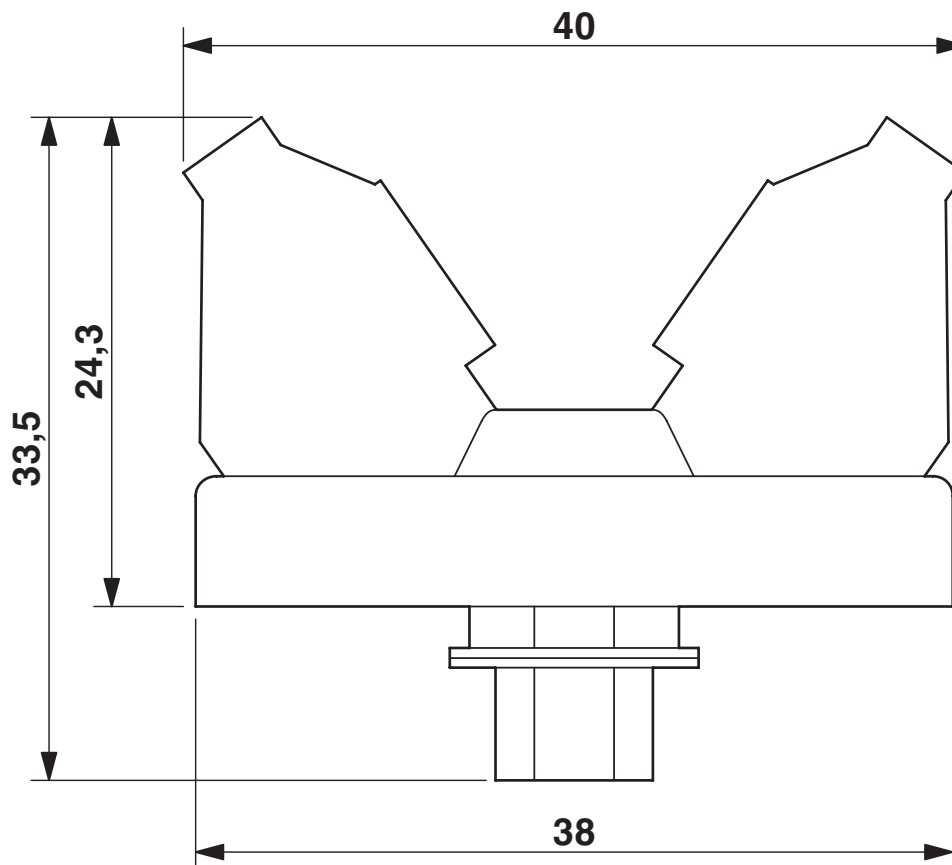
2280349

<https://www.phoenixcontact.com/us/products/2280349>

Dimensional drawing



Dimensional drawing



DFLK-D37 SUB/B - Interface module





2280349

<https://www.phoenixcontact.com/us/products/2280349>

Approvals

To download certificates, visit the product detail page: <https://www.phoenixcontact.com/us/products/2280349>

 cUL Recognized Approval ID: FILE E 60425				
	Nominal voltage U_N	Nominal current I_N	Cross section AWG	Cross section mm^2
	125 V	2.5 A	30 - 12	-

 UL Recognized Approval ID: FILE E 60425				
	Nominal voltage U_N	Nominal current I_N	Cross section AWG	Cross section mm^2
	125 V	2.5 A	30 - 12	-

cULus Recognized				
-------------------------	--	--	--	--

DFLK-D37 SUB/B - Interface module



2280349

<https://www.phoenixcontact.com/us/products/2280349>

Classifications

ECLASS

ECLASS-11.0	27141152
ECLASS-13.0	27141152
ECLASS-12.0	27141152

ETIM

ETIM 9.0	EC002780
----------	----------

UNSPSC

UNSPSC 21.0	39121400
-------------	----------

DFLK-D37 SUB/B - Interface module



2280349

<https://www.phoenixcontact.com/us/products/2280349>

Environmental product compliance

EU RoHS

Fulfills EU RoHS substance requirements	Yes, No exemptions
---	--------------------

China RoHS

Environment friendly use period (EFUP)	EFUP-E
	No hazardous substances above the limits

EU REACH SVHC

REACH candidate substance (CAS No.)	No substance above 0.1 wt%
-------------------------------------	----------------------------

DFLK-D37 SUB/B - Interface module



2280349

<https://www.phoenixcontact.com/us/products/2280349>

Accessories

CABLE D-SUB-S/.../.../... - Cable

2302340

<https://www.phoenixcontact.com/us/products/2302340>



Shielded round cable, assembled with one D-SUB female and pin strip (9-, 15-, 25-, 37-, or 50-pos.), variable cable length

CABLE D-SUB-S-S-S/.../.../... - Cable

2302434

<https://www.phoenixcontact.com/us/products/2302434>



Shielded round cable, assembled with two D-SUB pin strips (9-, 15-, 25-, 37-, or 50-pos.), variable cable length

DFLK-D37 SUB/B - Interface module



2280349

<https://www.phoenixcontact.com/us/products/2280349>

CABLE-D37SUB/B/S/ 50/KONFEK/S - Cable

2302191

<https://www.phoenixcontact.com/us/products/2302191>



Assembled shielded round cable; connection 1: D-SUB socket strip (1x 37-position); connection 2: D-SUB pin strip (1x 37-position); cable length: 0.5 m

CABLE-D37SUB/B/S/100/KONFEK/S - Cable

2302201

<https://www.phoenixcontact.com/us/products/2302201>



Assembled shielded round cable; connection 1: D-SUB socket strip (1x 37-position); connection 2: D-SUB pin strip (1x 37-position); cable length: 1 m

DFLK-D37 SUB/B - Interface module

2280349

<https://www.phoenixcontact.com/us/products/2280349>



CABLE-D37SUB/B/S/150/KONFEK/S - Cable

2302214

<https://www.phoenixcontact.com/us/products/2302214>



Assembled shielded round cable; connection 1: D-SUB socket strip (1x 37-position); connection 2: D-SUB pin strip (1x 37-position); cable length: 1.5 m

CABLE-D37SUB/B/S/200/KONFEK/S - Cable

2302227

<https://www.phoenixcontact.com/us/products/2302227>



Assembled shielded round cable; connection 1: D-SUB socket strip (1x 37-position); connection 2: D-SUB pin strip (1x 37-position); cable length: 2 m

DFLK-D37 SUB/B - Interface module



2280349

<https://www.phoenixcontact.com/us/products/2280349>

CABLE-D37SUB/B/S/300/KONFEK/S - Cable

2302230

<https://www.phoenixcontact.com/us/products/2302230>



Assembled shielded round cable; connection 1: D-SUB socket strip (1x 37-position); connection 2: D-SUB pin strip (1x 37-position); cable length: 3 m

CABLE-D37SUB/B/S/400/KONFEK/S - Cable

2302243

<https://www.phoenixcontact.com/us/products/2302243>



Assembled shielded round cable; connection 1: D-SUB socket strip (1x 37-position); connection 2: D-SUB pin strip (1x 37-position); cable length: 4 m

DFLK-D37 SUB/B - Interface module

2280349

<https://www.phoenixcontact.com/us/products/2280349>



CABLE-D37SUB/B/S/600/KONFEK/S - Cable

2302256

<https://www.phoenixcontact.com/us/products/2302256>



Assembled shielded round cable; connection 1: D-SUB socket strip (1x 37-position); connection 2: D-SUB pin strip (1x 37-position); cable length: 6 m

CABLE-D37SUB/B/S/HF/S/ 1,0M - Cable

1066608

<https://www.phoenixcontact.com/us/products/1066608>



Assembled, shielded, halogen-free round cable; connection 1: D-SUB socket strip (1x 37-position); connection 2: D-SUB pin strip (1x 37-position); cable length: 1 m

DFLK-D37 SUB/B - Interface module

2280349

<https://www.phoenixcontact.com/us/products/2280349>

CABLE-D37SUB/B/S/HF/S/ 2,0M - Cable

1066609

<https://www.phoenixcontact.com/us/products/1066609>



Assembled, shielded, halogen-free round cable; connection 1: D-SUB socket strip (1x 37-position); connection 2: D-SUB pin strip (1x 37-position); cable length: 2 m

CABLE-D37SUB/B/S/HF/S/ 3,0M - Cable

1066611

<https://www.phoenixcontact.com/us/products/1066611>



Assembled, shielded, halogen-free round cable; connection 1: D-SUB socket strip (1x 37-position); connection 2: D-SUB pin strip (1x 37-position); cable length: 3 m

DFLK-D37 SUB/B - Interface module

2280349

<https://www.phoenixcontact.com/us/products/2280349>



CABLE-D37SUB-B-S-HF-S/... - Cable

1075562

<https://www.phoenixcontact.com/us/products/1075562>



Assembled, shielded, halogen-free round cable; connection 1: D-SUB socket strip (1x 37-position); connection 2: D-SUB pin strip (1x 37-position); cable length: variable

CABLE-D-37SUB/M/OE/0,25/S/0,5M - Cable

2926577

<https://www.phoenixcontact.com/us/products/2926577>



Assembled shielded round cable; connection 1: Single wires (37-position) (The wires are marked and fitted with ferrules. The braided shield is routed to a separate cable end.); connection 2: D-SUB pin strip (1x 37-position); cable length: 0.5 m

DFLK-D37 SUB/B - Interface module



2280349

<https://www.phoenixcontact.com/us/products/2280349>

CABLE-D-37SUB/M/OE/0,25/S/1,0M - Cable

2926580

<https://www.phoenixcontact.com/us/products/2926580>



Assembled shielded round cable; connection 1: Single wires (37-position) (The wires are marked and fitted with ferrules. The braided shield is routed to a separate cable end.); connection 2: D-SUB pin strip (1x 37-position); cable length: 1 m

CABLE-D-37SUB/M/OE/0,25/S/1,5M - Cable

2926593

<https://www.phoenixcontact.com/us/products/2926593>



Assembled shielded round cable; connection 1: Single wires (37-position) (The wires are marked and fitted with ferrules. The braided shield is routed to a separate cable end.); connection 2: D-SUB pin strip (1x 37-position); cable length: 1.5 m

DFLK-D37 SUB/B - Interface module



2280349

<https://www.phoenixcontact.com/us/products/2280349>

CABLE-D-37SUB/M/OE/0,25/S/2,0M - Cable

2926603

<https://www.phoenixcontact.com/us/products/2926603>



Assembled shielded round cable; connection 1: Single wires (37-position) (The wires are marked and fitted with ferrules. The braided shield is routed to a separate cable end.); connection 2: D-SUB pin strip (1x 37-position); cable length: 2 m

CABLE-D-37SUB/M/OE/0,25/S/3,0M - Cable

2926616

<https://www.phoenixcontact.com/us/products/2926616>



Assembled shielded round cable; connection 1: Single wires (37-position) (The wires are marked and fitted with ferrules. The braided shield is routed to a separate cable end.); connection 2: D-SUB pin strip (1x 37-position); cable length: 3 m

DFLK-D37 SUB/B - Interface module



2280349

<https://www.phoenixcontact.com/us/products/2280349>

CABLE-D-37SUB/M/OE/0,25/S/4,0M - Cable

2926629

<https://www.phoenixcontact.com/us/products/2926629>



Assembled shielded round cable; connection 1: Single wires (37-position) (The wires are marked and fitted with ferrules. The braided shield is routed to a separate cable end.); connection 2: D-SUB pin strip (1x 37-position); cable length: 4 m

CABLE-D-37SUB/M/OE/0,25/S/6,0M - Cable

2926632

<https://www.phoenixcontact.com/us/products/2926632>



Assembled shielded round cable; connection 1: Single wires (37-position) (The wires are marked and fitted with ferrules. The braided shield is routed to a separate cable end.); connection 2: D-SUB pin strip (1x 37-position); cable length: 6 m

DFLK-D37 SUB/B - Interface module

2280349

<https://www.phoenixcontact.com/us/products/2280349>



CABLE-D-37SUB-M-OE-0,25-S/... - Cable

2900912

<https://www.phoenixcontact.com/us/products/2900912>



Assembled shielded round cable; connection 1: Single wires (37-position) (The wires are marked and fitted with ferrules. The braided shield is routed to a separate cable end.); connection 2: D-SUB pin strip (1x 37-position); cable length: variable

Phoenix Contact 2024 © - all rights reserved

<https://www.phoenixcontact.com>

Phoenix Contact USA
586 Fulling Mill Road
Middletown, PA 17057, United States
(+717) 944-1300
info@phoenixcon.com