

C-RCI 10/M5 - Ring cable lug

3240219

<https://www.phoenixcontact.com/us/products/3240219>

Please be informed that the data shown in this PDF document is generated from our online catalog. Please find the complete data in the user documentation. Our general terms of use for downloads are valid.



Ring cable lug, red, 10 mm², M5

Your advantages

- The sleeves are conically tapered to facilitate easy and correct insertion of the conductor
- The insulated ring cable lugs with plastic sleeve are hard-soldered and feature the 'EASY ENTRY' system

Commercial data

Item number	3240219
Packing unit	50 pc
Minimum order quantity	50 pc
Sales key	BH34
Product key	BH3421
Catalog page	Page 492 (C-3-2019)
GTIN	4046356452090
Weight per piece (including packing)	3.59 g
Weight per piece (excluding packing)	3.493 g
Customs tariff number	85369010
Country of origin	TW

C-RCI 10/M5 - Ring cable lug

3240219

<https://www.phoenixcontact.com/us/products/3240219>

Technical data

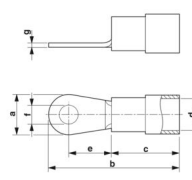
Product properties

Product type	Connector
--------------	-----------

Electrical properties

Fuse	yes
------	-----

Dimensions

Dimensional drawing	
Width	8.8 mm
Length of the insulating material sleeve	16 mm
Maximum stripping length	11 mm
Distance from the center to the insulating material sleeve	10.9 mm
Min. material thickness	1.1 mm
Inner dimensions of the insulating collar	8 mm

Internal dimensions

Internal diameter	5.3 mm
-------------------	--------

Material specifications

Color	red
Material	Copper
Flammability rating according to UL 94	V2
Coating	tin-plated
Insulating material	PA
Components	halogen-free

Environmental and real-life conditions

Ambient conditions

Optimum ambient temperature (storage/transport)	20.00 °C Humidity (RH), store inside sealed original packaging. Avoid direct sunlight and heat.
Ambient temperature (operation)	-20 °C ... 105 °C
Ambient temperature (assembly)	-20 °C ... 100 °C
Short-term temperature	100 °C

Standards and regulations

Design according to standard	JIS, UL, CSA
------------------------------	--------------

C-RCI 10/M5 - Ring cable lug

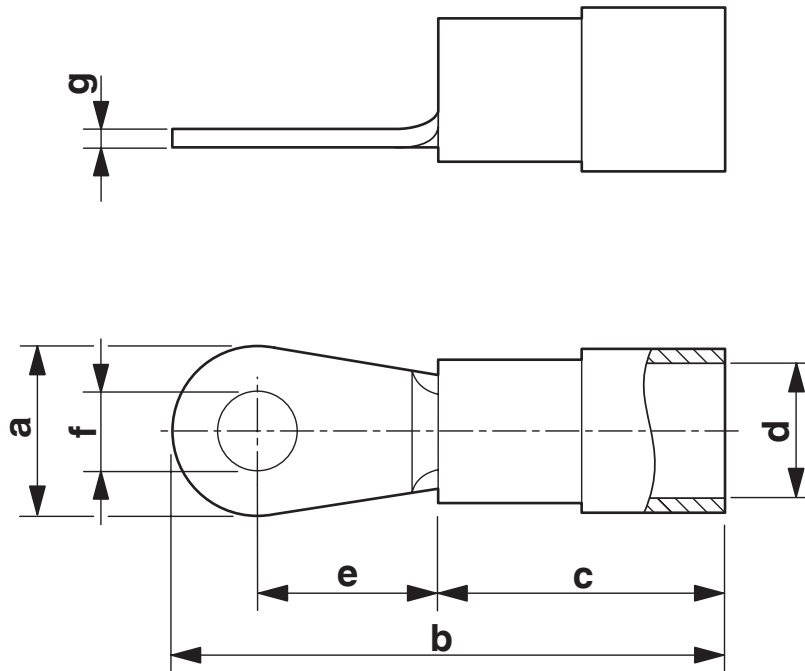
3240219

<https://www.phoenixcontact.com/us/products/3240219>



Drawings

Dimensional drawing



C-RCI 10/M5 - Ring cable lug

3240219

<https://www.phoenixcontact.com/us/products/3240219>



Classifications

ECLASS

ECLASS-11.0	27400204
ECLASS-13.0	27400204
ECLASS-12.0	27400204

ETIM

ETIM 9.0	EC001052
----------	----------

UNSPSC

UNSPSC 21.0	27121700
-------------	----------

C-RCI 10/M5 - Ring cable lug



3240219

<https://www.phoenixcontact.com/us/products/3240219>

Environmental product compliance

EU RoHS

Fulfills EU RoHS substance requirements	Yes, No exemptions
---	--------------------

China RoHS

Environment friendly use period (EFUP)	EFUP-E
	No hazardous substances above the limits

EU REACH SVHC

REACH candidate substance (CAS No.)	No substance above 0.1 wt%
-------------------------------------	----------------------------

Phoenix Contact 2024 © - all rights reserved
<https://www.phoenixcontact.com>

Phoenix Contact USA
586 Fulling Mill Road
Middletown, PA 17057, United States
(+717) 944-1300
info@phoenixcon.com