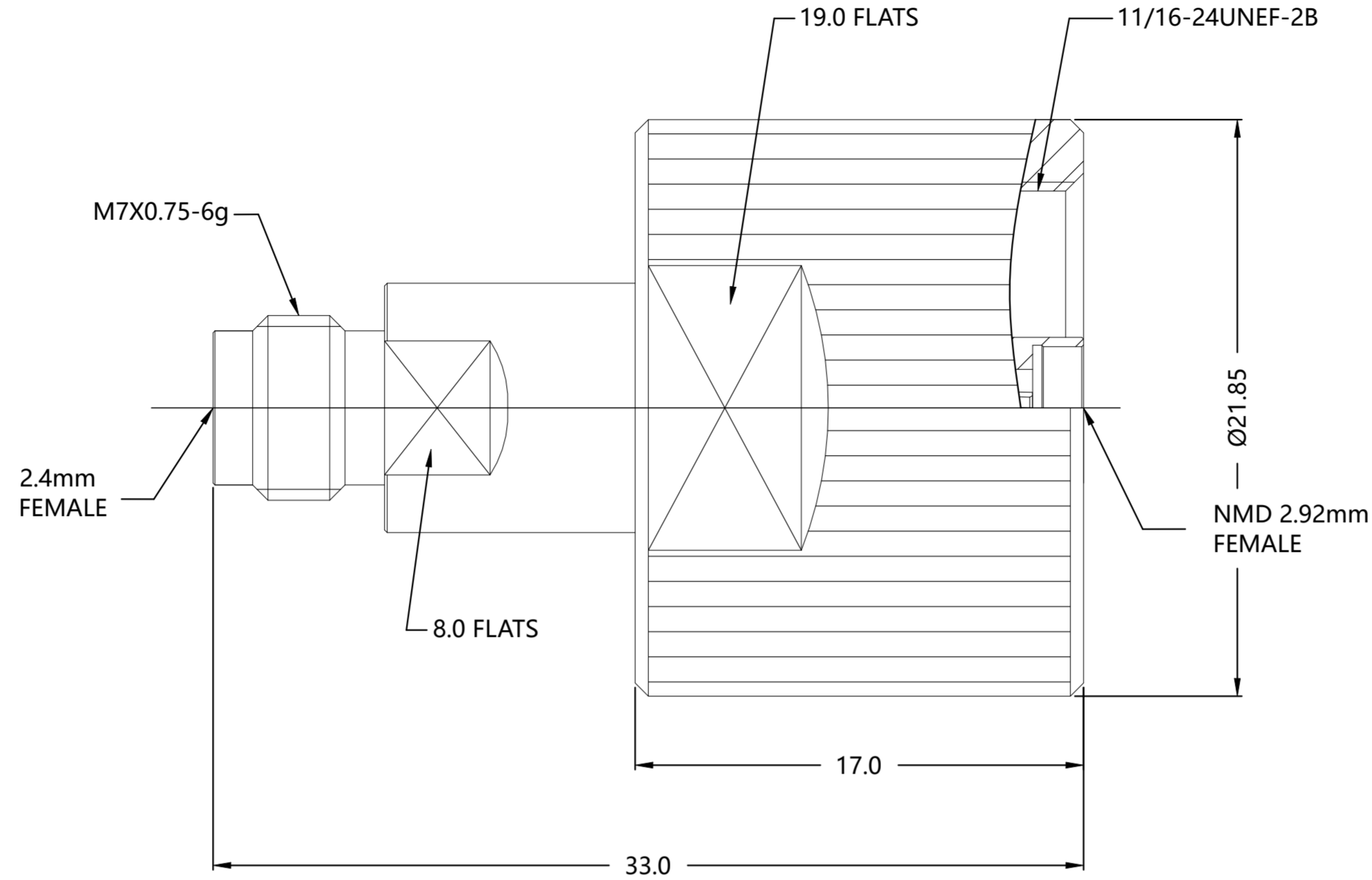


REVISIONS					
P	LTR	DESCRIPTION	DATE	DWN	APVD
A		ECN-23-235375;GTP	17OCT2023	TP	WH



ELECTRICAL	MECHANICAL	ENVIRONMENTAL
Impedance (Ohm): <u>50</u> Frequency Range: <u>DC to 40GHz</u> Voltage Rating (Peak) @ Sea Level <u>175 V RMS</u> Insulation Resistance (MIN.) <u>5000 M ohms</u> Contact Resistance (mohms MAX) Center Contact <u>2.2</u> Outer Contact <u>0.15</u> Dielectric Withstand Voltage: <u>500 V RMS Max</u> Insertion Loss : <u><0.05√F(GHz) dB</u> VSWR: <u><1.25 @ DC ~ 40GHz</u>	Interface Dimension <u>2.4mm female to 2.92 female</u> Force to Engage and Disengage Engage: <u>N/A</u> Disengage: <u>N/A</u> Center Contact Captivation Axial (lbs) <u>6 MIN</u> Radial (In/Oz) <u>N/A</u> Recommend Coupling Torque <u>N/A</u> Coupling Nut Retention Force <u>N/A</u> Cable Retention Axial (Lbs) <u>N/A</u> Mating cycles <u>500 cycles</u>	TEMPERATURE RANGE <u>-40 °C~+85 °C</u> ROHS <u>COMPLIANT</u>

1	CONTACT PIN	BERYLLIUM COPPER	PL.GOLD/COPPER
1	INSULATOR	PEI	N/A
1	BODY	STAINLESS STEEL	PASSIVATION
2441445-1	PART NUMBER	MATERIAL	PLATING

THIS DRAWING IS A CONTROLLED DOCUMENT.		DWN	ED	19JUN2023		TE Connectivity		
DIMENSIONS: mm		CHK	ED	19JUN2023		NAME		
TOLERANCES UNLESS OTHERWISE SPECIFIED:		APVD	WH	19JUN2023		2.4mm FEMALE TO 2.92mm FEMALE STR NMD ADAPTOR ,50 OHM		
0 PLC ± - 1 PLC ± 0.3 2 PLC ± 0.2 3 PLC ± 0.1 4 PLC ± - ANGLES ± 5°		PRODUCT SPEC		SIZE				
MATERIAL		FINISH		WEIGHT	-	SCALE	1:1	
-		-		CUSTOMER DRAWING	A2	CAGE CODE	00779	
				DRAWING NO	C=2441445	SHEET	1 OF 1	
				RESTRICTED TO	-	REV	A	

2441445