

# TMC 7 B2/3 TERM - Terminal adapter



1022232

<https://www.phoenixcontact.com/us/products/1022232>

Please be informed that the data shown in this PDF document is generated from our online catalog. Please find the complete data in the user documentation. Our general terms of use for downloads are valid.

Feeder terminal adapter for TMC 72 or TMC 73 circuit breakers, two- or three-phase bus bars. Rated for 600 V AC/DC 115 A. Wire range 10...1/0 AWG. UL 508 Listed for connection to UL 1077 rated circuit breakers.



## Product description

Feed-in terminal adapter for TMC 7 two- and three-pos. bus bars

## Commercial data

Item number	1022232
Packing unit	1 pc
Note	Made to order (non-returnable)
Sales key	CL09
Product key	CLA126
GTIN	4055626515908
Weight per piece (including packing)	39.53 g
Weight per piece (excluding packing)	37 g
Customs tariff number	85369010
Country of origin	DE

# TMC 7 B2/3 TERM - Terminal adapter



1022232

<https://www.phoenixcontact.com/us/products/1022232>

## Technical data

### Product properties

Type	Adapter
------	---------

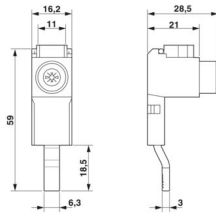
### Electrical properties

Rated voltage (III/3)	1000 V AC/DC
-----------------------	--------------

### Connection data

Tightening torque, min	5.65 Nm
------------------------	---------

### Dimensions

Dimensional drawing	
Width	16.2 mm
Height	28.5 mm

### Material specifications

Color	light grey (RAL 7035)
	light grey (RAL 7035)

# TMC 7 B2/3 TERM - Terminal adapter

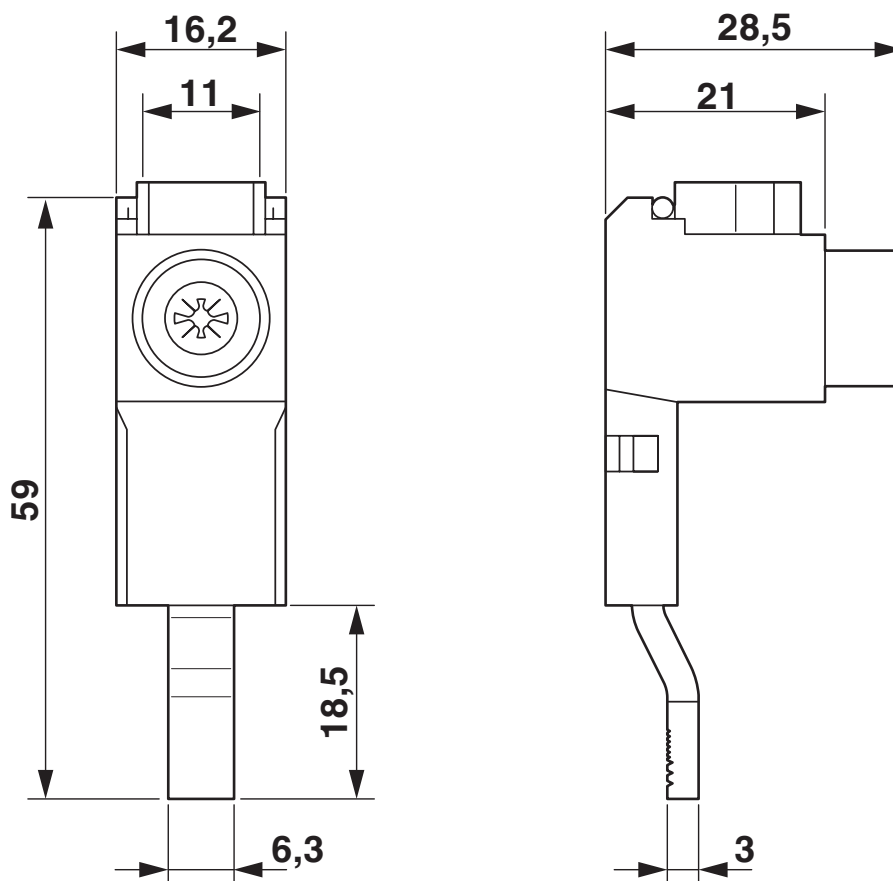
1022232

<https://www.phoenixcontact.com/us/products/1022232>



## Drawings

Dimensional drawing



# TMC 7 B2/3 TERM - Terminal adapter



1022232

<https://www.phoenixcontact.com/us/products/1022232>

## Approvals

To download certificates, visit the product detail page: <https://www.phoenixcontact.com/us/products/1022232>



**UL Listed**

Approval ID: FILE E 123528



**cUL Listed**

Approval ID: FILE E 123528

**cULus Listed**

# TMC 7 B2/3 TERM - Terminal adapter



1022232

<https://www.phoenixcontact.com/us/products/1022232>

## Classifications

### ECLASS

ECLASS-11.0	27144037
ECLASS-12.0	27144037
ECLASS-13.0	27144037

# TMC 7 B2/3 TERM - Terminal adapter



1022232

<https://www.phoenixcontact.com/us/products/1022232>

## Environmental product compliance

### EU RoHS

Fulfills EU RoHS substance requirements	Yes, No exemptions
---	--------------------

### China RoHS

Environment friendly use period (EFUP)	EFUP-E
	No hazardous substances above the limits

### EU REACH SVHC

REACH candidate substance (CAS No.)	No substance above 0.1 wt%
-------------------------------------	----------------------------

Phoenix Contact 2024 © - all rights reserved  
<https://www.phoenixcontact.com>

Phoenix Contact USA  
586 Fulling Mill Road  
Middletown, PA 17057, United States  
(+717) 944-1300  
[info@phoenixcon.com](mailto:info@phoenixcon.com)