

Flat suction cup (round)

SUF 12 HT1-60 M5-AG

Part no...:10.01.01.14178

<https://www.schmalz.com/10.01.01.14178>

Home > Vacuum Technology for Automation > Vacuum Components > Vacuum Suction Cups > Flat Suction Cups (Round) > Flat Suction Cups SUF > SUF 12 HT1-60 M5-AG

Flat suction cup (round) for process safe handling of smooth or slightly rough surfaces



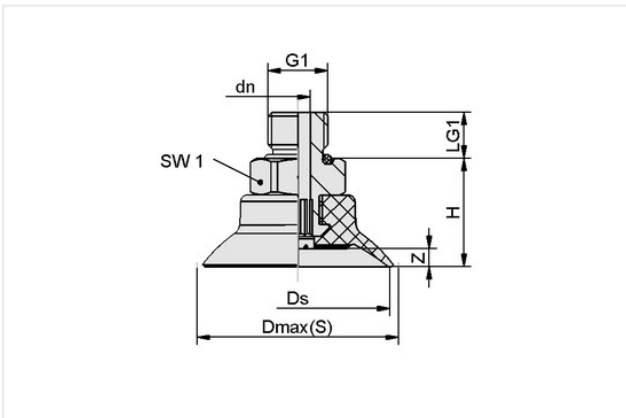
Size: 12

Suction cup material: High temperature material HT1

Material hardness [Shore A]: 60 Shore A

Vacuum connection: M5-M

Design Data



Attribute	Value
Dmax(S)	13.20 mm
Ds	12 mm
dn	1.80 mm
G1	M5-M
H	13.60 mm
LG1	4.70 mm
SW1	8 mm
Z (Stroke)	1.20 mm

Technical Data

Attribute	Value
Suction force (-600mbar)	5 N
Pull-off force	5 N
Volume	0.12 cm ³
Curve radius (min) (convex)	12.50 mm
Hose diameter (rec.) d	2 mm
Size	12
Suction cup material	High temperature material HT1
Material hardness [Shore A]	60 Shore A

Contact Schmalz

Schmalz Inc. | 5850 Oak Forest Drive, Raleigh, NC 27616, United States | +1 (919) 713-0880 | schmalz.us@schmalz.com

Flat suction cup (round)

SUF 12 HT1-60 M5-AG

Part no...:10.01.01.14178

<https://www.schmalz.com/10.01.01.14178>

Weight	1.70 g
Product family	SUF
Number of folds	0

Note: Suction force: The specified suction forces are theoretical values at a vacuum of -0.6 bar and with a dry, smooth and flat workpiece surface - they do not include a safety factor
Hose diameter: The recommended hose diameter refers to a hose length of approx. 2 m

Spare parts



SC 030 M5-AG

Part no...:10.01.06.02802

Connection geometry: 030

Connection: M5-M

Length L1: 15.5 mm

Fitting length: 5 mm

Nominal diameter dn: 1.8 mm



SUF 12 HT1-60 SC030

Part no...:10.01.01.13988

Size: 12

Suction cup material: High temperature material HT1

Material hardness [Shore A]: 60 Shore A