

PV-FT-C2M-HSG - Photovoltaic connector



1704925

<https://www.phoenixcontact.com/us/products/1704925>

Please be informed that the data shown in this PDF document is generated from our online catalog. Please find the complete data in the user documentation. Our general terms of use for downloads are valid.



Photovoltaic connector, Range of articles: SUNCLIX, housing material: PPE, color: black, number of positions: 1, rated voltage: 1000 V DC, rated current: 40 A, Connection method: Crimp, Contact connection type: Pin

Your advantages

- High yield, thanks to silver-plated contacts
- Patented UNLOCK system allows smaller center distances as well as convenient release
- Unique SUNCLIX pin connector pattern

Commercial data

Item number	1704925
Packing unit	50 pc
Minimum order quantity	50 pc
Sales key	AB02
Product key	ABLBAB
Catalog page	Page 421 (C-2-2013)
GTIN	4046356746243
Weight per piece (including packing)	6.774 g
Weight per piece (excluding packing)	6.4 g
Customs tariff number	85359000
Country of origin	DE

Technical data

Notes

Safety note

Safety note

- **WARNING:** Commission properly functioning products only. The products must be regularly inspected for damage. Decommission defective products immediately. Replace damaged products. Repairs are not possible.
- **WARNING:** Only electrically qualified personnel may install and operate the product. They must observe the following safety notes. The qualified personnel must be familiar with the basics of electrical engineering. They must be able to recognize and prevent danger. The relevant symbol on the packaging indicates that only personnel familiar with electrical engineering are allowed to install and operate the product.
- **WARNING:** The connectors may not be plugged in or disconnected under load. Ignoring the warning or improper use may damage persons and/or property.
- The products are suitable for applications in plant, controller, and electrical device engineering.
- Assembled products may not be manipulated or improperly opened.
- Only use mating connectors that are specified in the technical data of the standards listed (e.g. the ones listed in the product accessories online at [phoenixcontact.com/products](https://www.phoenixcontact.com/products)).
- When using the product in direct connection with third-party manufacturers, the user is responsible.
- For operating voltages > 50 V AC, conductive connector housings must be grounded
- Ensure that the protective or functional ground has been properly connected.
- Observe the corresponding technical data. You will find information:
 - o On the product
 - o On the packing label
 - o In the supplied documentation
 - o Online at [phoenixcontact.com/products](https://www.phoenixcontact.com/products) under the product
- The installation notes/Design In documents online on the download page at [phoenixcontact.com/products](https://www.phoenixcontact.com/products) must be observed for this product.
- Use a protective cap to protect connectors that are not in use. The suitable accessories are available online in the accessory section of the product at [phoenixcontact.com/products](https://www.phoenixcontact.com/products)
- The connector warms up in normal operation. Depending on the ambient conditions, the surface of the connector can continue to warm up. In this case, the user is responsible for posting warnings (e.g. DIN EN ISO 13732-1:2008-12).
- Operate the connector only when it is fully plugged in and interlocked.
- Ensure that when laying the cable, the tensile load on the connectors does not exceed the upper limit specified in the standards.

PV-FT-C2M-HSG - Photovoltaic connector



1704925

<https://www.phoenixcontact.com/us/products/1704925>

- Observe the minimum bending radius of the cable. Lay the cable without twisting it.

Product properties

Product type	Panel feed-through
Product family	SUNCLIX
Number of positions	1

Insulation characteristics

Protection class	II
Degree of pollution	2

Connection data

Conductor connection

Tightening torque	1.8 Nm \pm 0.1 Nm
-------------------	---------------------

Dimensions

Dimensional drawing	
Width	18.6 mm
Height	26.4 mm
Length	41.6 mm

Electrical properties

Rated voltage (III/2)	1000 V
Nominal voltage ATD	1000 V DC (II/2.00) in accordance with IEC 62852:2014/AMD1:2 020
Rated surge voltage	16 kV
Rated surge voltage (III/2)	12 kV
Rated current	40 A (in accordance with IEC 62852:2014/AMD1:2020)
Rated current (4.0 mm ²)	35 A (in accordance with IEC 62852:2014/AMD1:2020)
Rated current	27 A (in accordance with IEC 62852:2014/AMD1:2020)
Contact resistance	< 0.45 m Ω (depending on the mating connector used)

Mechanical properties

Mechanical data

Insertion/withdrawal cycles	100
Insertion force	45 N \pm 10 N (with installed contacts)
Withdrawal force	250 N \pm 50 N

Material specifications

PV-FT-C2M-HSG - Photovoltaic connector



1704925

<https://www.phoenixcontact.com/us/products/1704925>

Color	black
Color of the housing part	black
Material	PPE
Flammability rating according to UL 94	V0
Insulating material group	III
Seal material	EPDM
Insulating material	mPPE
Housing material	PPE
Contact material	Cu
Contact surface material	Ag
Contact carrier material	PPE

Cable/line

Cable pull-out force	> 80 N
----------------------	--------

Environmental and real-life conditions

Ambient conditions

Degree of protection	IP66 / IP68 (2m / 24h) (plugged in)
	IP20 (Not plugged in)
	IP66 / IP68 (2 m / 24 h)
Ambient temperature (operation)	-40 °C ... 85 °C
Ambient temperature (assembly)	-25 °C ... 50 °C

Standards and regulations

Standards/specifications	IEC 62852:2014/AMD1:2020
--------------------------	--------------------------

PV-FT-C2M-HSG - Photovoltaic connector

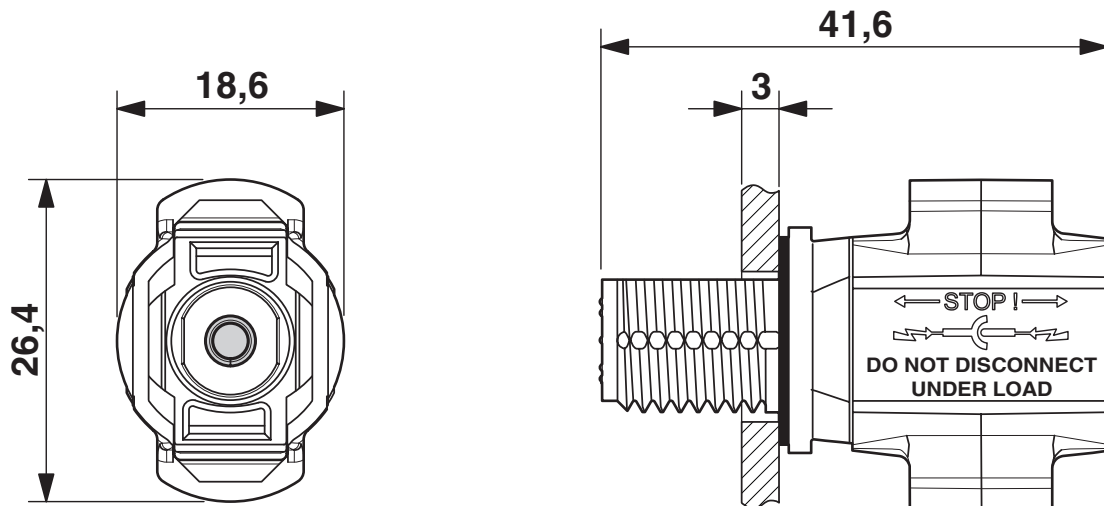


1704925

<https://www.phoenixcontact.com/us/products/1704925>

Drawings

Dimensional drawing



PV-FT-C2M-HSG - Photovoltaic connector



1704925

<https://www.phoenixcontact.com/us/products/1704925>

Approvals

🔗 To download certificates, visit the product detail page: <https://www.phoenixcontact.com/us/products/1704925>



TÜV Rheinland

Approval ID: R 60165003-0001

PV-FT-C2M-HSG - Photovoltaic connector



1704925

<https://www.phoenixcontact.com/us/products/1704925>

Classifications

ECLASS

ECLASS-11.0	27440107
ECLASS-12.0	27440107
ECLASS-13.0	27440107

ETIM

ETIM 9.0	EC002635
----------	----------

UNSPSC

UNSPSC 21.0	39121400
-------------	----------

PV-FT-C2M-HSG - Photovoltaic connector



1704925

<https://www.phoenixcontact.com/us/products/1704925>

Environmental product compliance

EU RoHS

Fulfills EU RoHS substance requirements	Yes, No exemptions
---	--------------------

China RoHS

Environment friendly use period (EFUP)	EFUP-E
	No hazardous substances above the limits

EU REACH SVHC

REACH candidate substance (CAS No.)	No substance above 0.1 wt%
-------------------------------------	----------------------------

PV-FT-C2M-HSG - Photovoltaic connector



1704925

<https://www.phoenixcontact.com/us/products/1704925>

Accessories

PV-FT-C NUT BK - Screw connection

1775880

<https://www.phoenixcontact.com/us/products/1775880>

Screw connection, Range of articles: SUNCLIX. Packing unit: 100 pcs. (polybag)



PV-C PROTECTION CAP - Protective cap

1785430

<https://www.phoenixcontact.com/us/products/1785430>

Protective cap, Range of articles: SUNCLIX, color: black. self-sealing, without interlock, set consisting of: 1 protective cap for connector side and 1 protective cap for coupling side



PV-FT-C2M-HSG - Photovoltaic connector

1704925

<https://www.phoenixcontact.com/us/products/1704925>

PV-FT-CCM-6-R1000 - Crimp contact

1704928

<https://www.phoenixcontact.com/us/products/1704928>



Crimp contact, Range of articles: SUNCLIX, number of positions: 1, min. conductor cross section: 6 mm², Connection method: Crimp, Contact connection type: Pin. Crimping recommendation: Crimp the conductor with the crimp contact in accordance with IEC 60352

PV-FT-CCM-2,5-4-R1000 - Crimp contact

1704927

<https://www.phoenixcontact.com/us/products/1704927>



Crimp contact, Range of articles: SUNCLIX, min. conductor cross section: 2.5 mm², max. conductor cross section: 4 mm², rated current: 27 A, Connection method: Crimp, Contact connection type: Pin. Crimping recommendation: Crimp the conductor with the crimp contact in accordance with IEC 60352

PV-FT-C2M-HSG - Photovoltaic connector



1704925

<https://www.phoenixcontact.com/us/products/1704925>

CRIMPFOX-P SR 6 - Crimping pliers

1212755

<https://www.phoenixcontact.com/us/products/1212755>



Crimping pliers, for SUNCLIX solar crimp connectors 2.5 ... 6 mm², unlockable pressure lock, precise parallel crimping, lateral entry, B crimp, incl. positioning tool

UNIFOX SR 6 - Mounting pliers

1200137

<https://www.phoenixcontact.com/us/products/1200137>



Mounting pliers for snapping the SUNCLIX crimp contacts into the plastic housing, curved 35°, suitable for a conductor diameter of 4.2 mm ... 6.0 mm.

Phoenix Contact 2024 © - all rights reserved
<https://www.phoenixcontact.com>

Phoenix Contact USA
586 Fulling Mill Road
Middletown, PA 17057, United States
(+717) 944-1300
info@phoenixcon.com