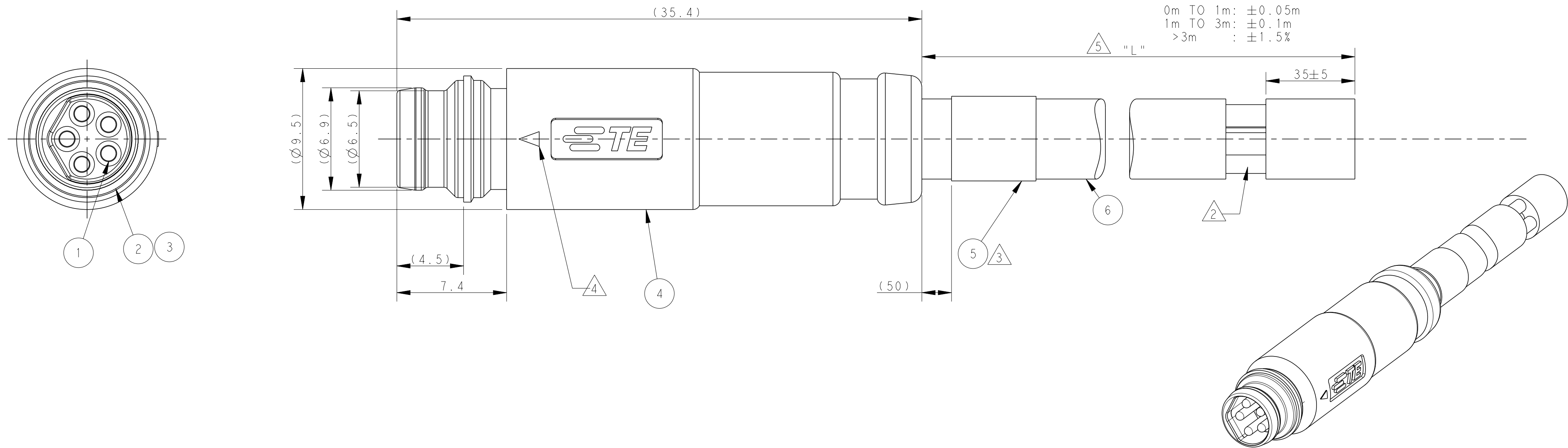


REVISIONS					
P	LTR	DESCRIPTION	DATE	DWN	APVD
A2		ECR-23-174471 ADD NEW PNS	06MAY2023	T.F	C.W
A3		ECR-23-183654, DELETE ITEM 9	14AUG2023	T.F	C.W

0m TO 1m: ±0.05m
 1m TO 3m: ±0.1m
 >3m : ±1.5%



NOTES:

1. TECHNICAL DATA: SEE TABLE 1
2. STRIP AND RETAIN THE INSULATION
3. TE LABEL AREA.
4. INSERT MARK FOR MATING.
5. SEE TABLE2 REFER TO LENGH "L"
6. CABLE ASSEMBLY TO BE PACKAGED BASED ON PACKING SPEC.
7. THE CABLE ASSEMBLY CAN MEET -40°C UNDER A FIXED APPLICATION CONDITION

注意事项

1. 技术参数；见表1
2. 剥线并保留绝缘层；
3. TE 标签位置；产品对插标示；
4. 参考表2对应的线缆长度 "L"
5. 产品依据包装规范包装；
6. 在固定安装应用条件下，产品满足 -40°C

TABLE 1

TECHNICAL DATA	T4051170405-XXX
RATED VOLTAGE	60V
RATED CURRENT	3A
CONTACT RESISTANCE	≤10mΩ
INSULATION RESISTANCE	≥100MΩ
OVERVOLTAGE CATEGORY	II
MATERIAL GROUP	I
DEGREE OF PROTECTION	IP65
TEMPERATURE	-40°C~85°C

PIN ARRANGEMENT B-CODE

T4051170405-XXX

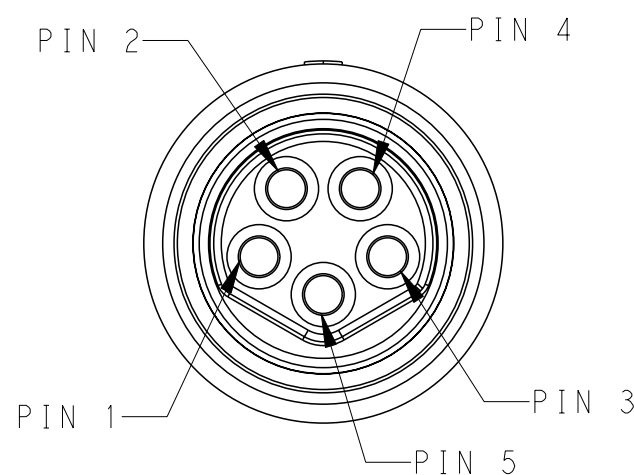


TABLE 2

WIRES: 0.34mm ² (22AWG), HF OD: 5.6mm Max.	STANDARD: -001: 0.5m -002: 1.0m -003: 1.5m -004: 3.0m CUSTOMIZATION: -020: 2.0m -025: 2.5m	FIXED: -40°C~80°C FLEXIBLE: -25°C~80°C	NOT CRITICAL	NOT CRITICAL	RPC-M8B-MS-5CON-PUR-004 RPC-M8B-MS-5CON-PUR-025 RPC-M8B-MS-5CON-PUR-020 RPC-M8B-MS-5CON-PUR-003 RPC-M8B-MS-5CON-PUR-002 RPC-M8B-MS-5CON-PUR-001	5	T4051170405-004 T4051170405-025 T4051170405-020 T4051170405-003 T4051170405-002 T4051170405-001
CABLE CHARACTERISTIC	LENGTH "L"	CABLE TEMP. RANGE	JACKET COLOR	JACKET MATERIAL	TYPE	POS.	PART NUMBER
	5						

THIS DRAWING IS A CONTROLLED DOCUMENT.

DIMENSIONS: mm	TOLERANCES UNLESS OTHERWISE SPECIFIED:
0 PLC ±	±0.25
1 PLC ±	
2 PLC ±	
3 PLC ±	
4 PLC ±	
ANGLES	±
FINISH	

DWN	10OCT2022
CHK	TONY FAN 10OCT2022
CHK	CHRIS WANG 10OCT2022
APVD	CHRIS WANG 10OCT2022
PRODUCT SPEC	108-106140
APPLICATION SPEC	114-137144-1
WEIGHT	-
CUSTOMER DRAWING	

TE Connectivity			
NAME M8 B CODE 5PIN CORDSET, STRAIGHT OVER-MOLDING SINGLE ENDED, MALE SIDE UNSHIELDED			
SIZE	CAGE CODE	DRAWING NO	RESTRICTED TO
A2	-	G-T4051170405XXX	-
SCALE	1:1	SHEET	1 OF 1
REV	A3		