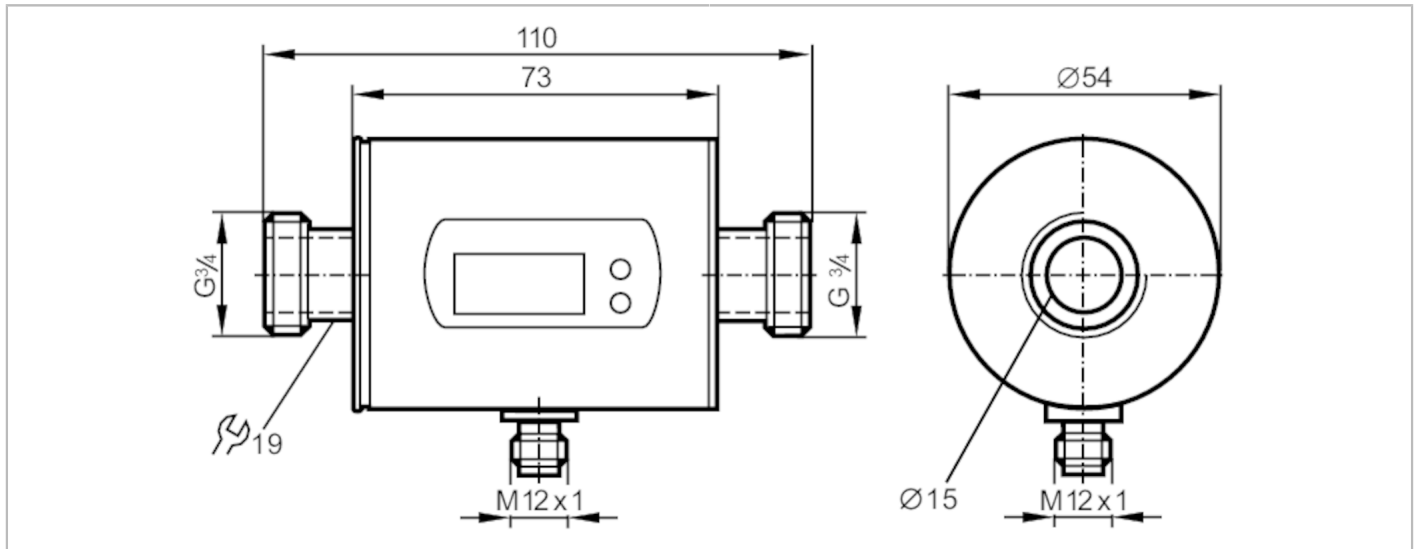


SM7001



Magnetic-inductive flow meter

SMR34GGXFRKG/US-100



Product characteristics

| | | |
|------------------------------|---|-----------------|
| Number of inputs and outputs | Number of digital outputs: 2; Number of analogue outputs: 1 | |
| Measuring range | 3...792 gph | 0.06...13.2 gpm |
| Process connection | threaded connection G 3/4 DN20 flat seal | |

Application

| | | |
|--|---|----------|
| Special feature | Gold-plated contacts | |
| Application | totaliser function; for industrial applications | |
| Installation | connection to pipe by means of an adapter | |
| Media | conductive liquids; water; hydrous media | |
| Note on media | conductivity: $\geq 20 \mu\text{S/cm}$ viscosity: $< 70 \text{ mm}^2/\text{s}$ (40 °C) | |
| Medium temperature | [°F] | 14...158 |
| Pressure rating | [bar] | 16 |
| Pressure rating | [psi] | 232 |
| MAWP (for applications according to CRN) | [bar] | 11.2 |

Electrical data

| | | |
|-----------------------------|------|----------------------------|
| Operating voltage | [V] | 18...30 DC; (to SELV/PELV) |
| Current consumption | [mA] | 95; (24 V) |
| Protection class | | III |
| Reverse polarity protection | | yes |
| Power-on delay time | [s] | 5 |

Inputs / outputs

| | | |
|------------------------------|---|--|
| Number of inputs and outputs | Number of digital outputs: 2; Number of analogue outputs: 1 | |
|------------------------------|---|--|

Inputs

| | |
|--------|---------------|
| Inputs | counter reset |
|--------|---------------|

Outputs

| | |
|-------------------------|---|
| Total number of outputs | 2 |
|-------------------------|---|

SM7001



Magnetic-inductive flow meter

SMR34GGXFRKG/US-100

| | | |
|--|--|--|
| Output signal | switching signal; analogue signal; pulse signal; IO-Link; (configurable) | |
| Electrical design | PNP/NPN | |
| Number of digital outputs | 2 | |
| Output function | normally open / normally closed; (parameterisable) | |
| Max. voltage drop switching output DC [V] | 2 | |
| Permanent current rating of switching output DC [mA] | 200 | |
| Number of analogue outputs | 1 | |
| Analogue current output [mA] | 4...20; (scalable) | |
| Max. load [Ω] | 500 | |
| Analogue voltage output [V] | 0...10; (scalable) | |
| Min. load resistance [Ω] | 2000 | |
| Pulse output | flow rate meter | |
| Short-circuit protection | yes | |
| Type of short-circuit protection | pulsed | |
| Overload protection | yes | |

Measuring/setting range

| | | |
|--------------------------|----------------|--------------------|
| Measuring range | 3...792 gph | 0.06...13.2 gpm |
| Display range | -951...951 gph | -15.84...15.84 gpm |
| Resolution | 1 gph | 0.02 gpm |
| Set point SP | 7...792 gph | 0.12...13.2 gpm |
| Reset point rP | 3...788 gph | 0.06...13.14 gpm |
| Analogue start point ASP | 0...636 gph | 0...10.6 gpm |
| Analogue end point AEP | 156...792 gph | 2.6...13.2 gpm |
| In steps of | 1 gph | 0.02 gpm |

Volumetric flow quantity monitoring

| | | |
|------------------|-----------------------|--|
| Pulse value | 0.01...99 990 000 gal | |
| Pulse length [s] | 0,005...2 | |

Temperature monitoring

| | | |
|---------------------------|------------|--|
| Measuring range [°F] | -4...176 | |
| Resolution [°F] | 0.5 | |
| Set point SP [°F] | -2.5...176 | |
| Reset point rP [°F] | -3.5...175 | |
| Analogue start point [°F] | -4...140.5 | |
| Analogue end point [°F] | 31.5...176 | |
| In steps of [°F] | 0.5 | |

Accuracy / deviations

Flow monitoring

| | | |
|-----------------------------------|--------------------------|--|
| Accuracy (in the measuring range) | ± (0,8 % MW + 0,5 % MEW) | |
| Repeatability | ± 0,2% MEW | |

Temperature monitoring

| | | |
|--------------|----------------------|--|
| Accuracy [K] | ± 2,5 (Q > 0,26 gpm) | |
|--------------|----------------------|--|

SM7001



Magnetic-inductive flow meter

SMR34GGXFRKG/US-100

| Response times | | |
|--------------------------------|--|-------------------------|
| Flow monitoring | | |
| Response time | [s] | 0.15; (dAP = 0, T19) |
| Delay time programmable dS, dr | [s] | 0...50 |
| Damping process value dAP | [s] | 0...5 |
| Temperature monitoring | | |
| Dynamic response T05 / T09 | [s] | T09 = 20 (Q > 0,26 gpm) |
| Software / programming | | |
| Parameter setting options | Flow monitoring; quantity meter; Preset counter; Temperature monitoring; hysteresis / window; normally open / normally closed; switching logic; current/voltage/pulse output; start-up delay; display can be deactivated; Display unit | |
| Interfaces | | |
| Communication interface | IO-Link | |
| Transmission type | COM2 (38,4 kBaud) | |
| IO-Link revision | 1.1 | |
| SDCI standard | IEC 61131-9 | |
| Profiles | Smart Sensor: Process Data Variable; Device Identification, Device Diagnosis | |
| SIO mode | yes | |
| Required master port type | A | |
| Process data analogue | 3 | |
| Process data binary | 2 | |
| Min. process cycle time | [ms] | 5 |
| Supported DeviceIDs | Type of operation | DeviceID |
| | default | 573 |
| Operating conditions | | |
| Ambient temperature | [°F] | 14...140 |
| Storage temperature | [°F] | -13...176 |
| Protection | IP 67 | |
| Tests / approvals | | |
| EMC | DIN EN 60947-5-9 | |
| Shock resistance | DIN IEC 68-2-27 | 20 g (11 ms) |
| Vibration resistance | DIN IEC 68-2-6 | 5 g (10...2000 Hz) |
| MTTF | [years] | 145 |
| Pressure Equipment Directive | Sound engineering practice; can be used for group 2 fluids; group 1 fluids on request | |
| Mechanical data | | |
| Weight | [g] | 586 |
| Materials | stainless steel (316L/1.4404); PBT-GF20; PC; FKM; TPE | |
| Materials (wetted parts) | stainless steel (316L/1.4404); PEEK; FKM | |
| Process connection | threaded connection G 3/4 DN20 flat seal | |

SM7001



Magnetic-inductive flow meter

SMR34GGXFRKG/US-100

| Displays / operating elements | | |
|-------------------------------|------------------|---|
| Display | Display unit | 6 x LED, green (gpm, gph, gal, °F, 10 ³ , 1000 x 10 ³) |
| | switching status | 2 x LED, yellow |
| | measured values | alphanumeric display, 4-digit |
| | programming | alphanumeric display, 4-digit |

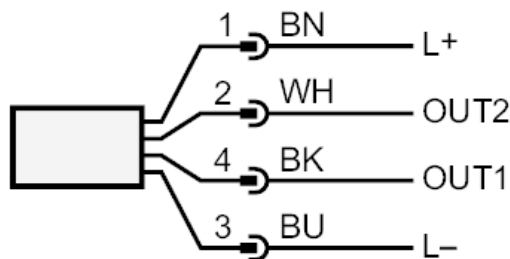
| Remarks | |
|---------------|---|
| Remarks | MW = measured value MEW = Final value of the measuring range |
| Pack quantity | 1 pcs. |

Electrical connection

Connector: 1 x M12; coding: A; Contacts: gold-plated



Connection



- OUT1: colours to DIN EN 60947-5-2
switching output volumetric flow quantity monitoring
Pulse output quantity meter
signal output Preset counter
IO-Link
- OUT2: switching output volumetric flow quantity monitoring
switching output Temperature monitoring
analogue output volumetric flow quantity monitoring
analogue output Temperature monitoring
input counter reset
Core colours :
- BK = black
BN = brown
BU = blue
WH = white

SM7001

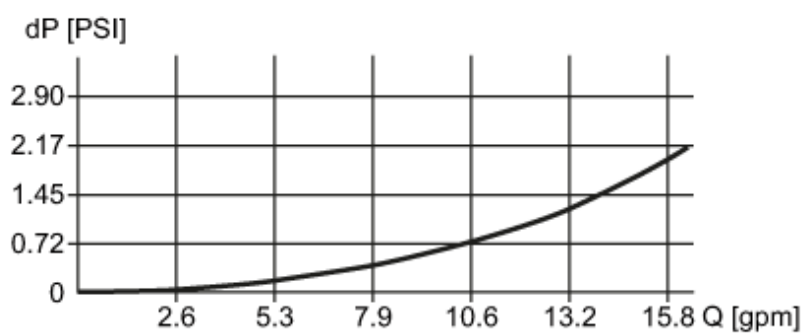


Magnetic-inductive flow meter

SMR34GGXFRKG/US-100

Diagrams and graphs

Pressure loss



dP Pressure loss

Q volumetric flow quantity