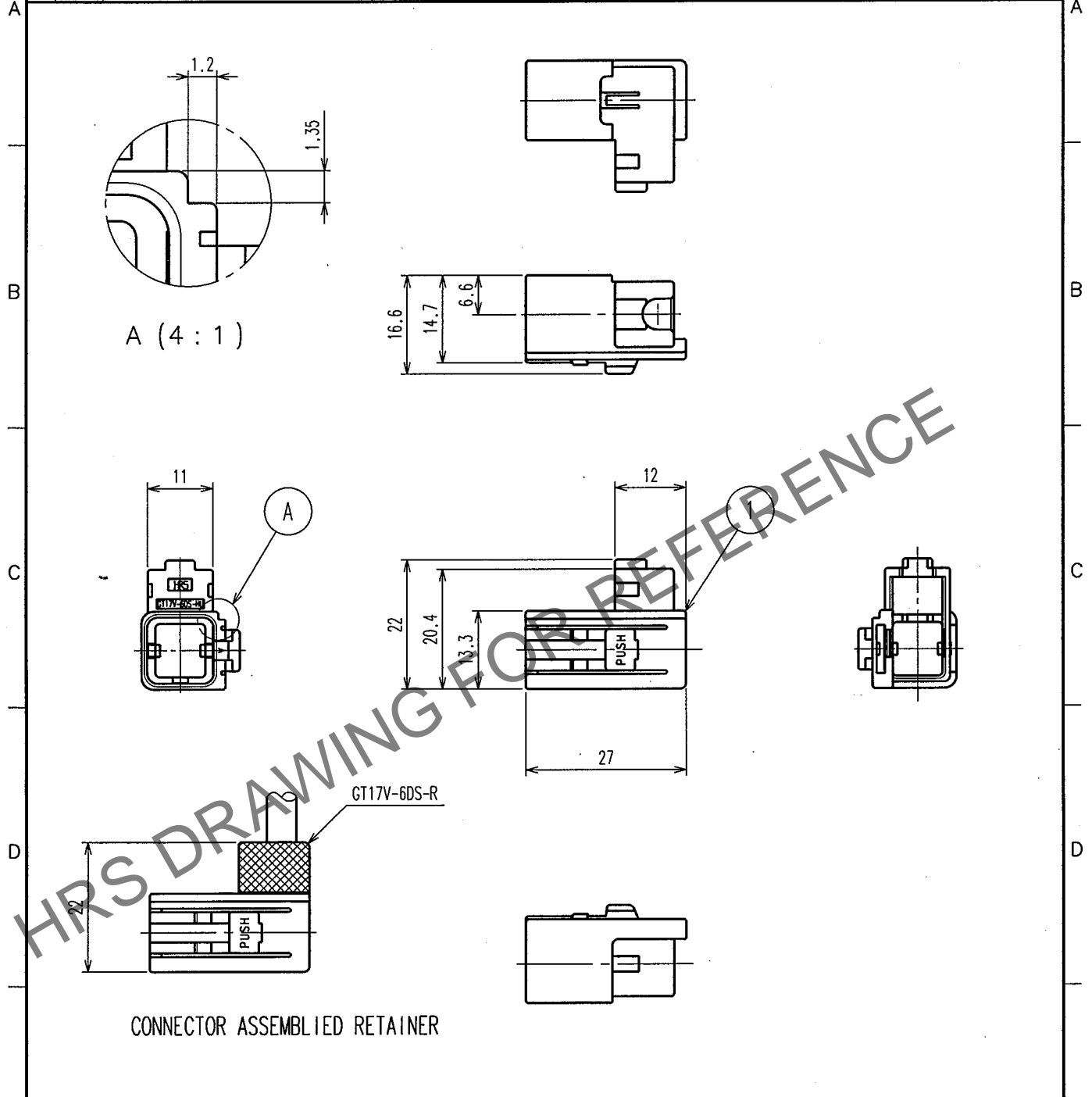


Apr.1.2024 Copyright 2024 HIROSE ELECTRIC CO., LTD. All Rights Reserved.
 In case of consideration for using Automotive equipment / device which demand high reliability, kindly contact our sales window correspondents.

1	2			3			4		
COUNT	DESCRIPTION OF REVISIONS	BY	CHKD	DATE	COUNT	DESCRIPTION OF REVISIONS	BY	CHKD	DATE
△					△				.. .
△					△				.. .
△					△				.. .



CONNECTOR ASSEMBLED RETAINER

NOTE1. THIS CONNECTOR SHALL BE USED THAT RETAINER (CL767-0031-0) WAS ASSEMBLED.
 2. APPLICABLE CABLE DIA : $\phi 4.8$ TO $\phi 5.2$

1	PBT	LIGHT GRAY					
NO.	MATERIAL	FINISH, REMARKS	NO.	MATERIAL	FINISH, REMARKS		
CODE NO. (OLD)			DRAWN	DESIGNED	CHECKED	APPROVED	RELEASED
			T. SHISHIKURA	T. SHISHIKURA	N. NAKATA	K. SATO	
			'99.8.20	'99.8.20	'99.9.9	'99.9.9	
DRAWING NO. EDC4-165527			PART NO. GT17V-6DS-HU				
SACLE 1 : 1			CODE NO. CL767-0029-8				1
UNITS mm			HIROSE ELECTRIC CO., LTD.				1

TO

