

UM 45-PROFIL 100CM - Profile



2914550

<https://www.phoenixcontact.com/us/products/2914550>

Please be informed that the data shown in this PDF document is generated from our online catalog. Please find the complete data in the user documentation. Our general terms of use for downloads are valid.



Press-drawn section housings, Basic profile, profile width (internal): 41.85 mm, profile width (external): 44.8 mm, length: 1000 mm, height: 44.8 mm, depth: 18.95 mm, Note: required profile length = PCB length - 3 mm

Your advantages

- Easy installation
- Flexible size and shape
- Inexpensive as a result of reducing the number of separate housing parts

Commercial data

Item number	2914550
Packing unit	1 pc
Minimum order quantity	1 pc
Sales key	AC13
Product key	ACHDBA
Catalog page	Page 755 (C-1-2013)
GTIN	4017918959142
Weight per piece (including packing)	400 g
Weight per piece (excluding packing)	400 g
Customs tariff number	39162000
Country of origin	DE

UM 45-PROFIL 100CM - Profile

2914550

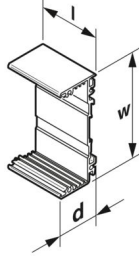
<https://www.phoenixcontact.com/us/products/2914550>

Technical data

Product properties

Product type	Component housing lower part
Product family	UM Profil
Housing series	UM
Type	Basic profile
Housing type	Press-drawn section housings
Ventilation openings present	no

Dimensions

Dimensional drawing	
Height	44.8 mm
Depth	18.95 mm
Length	1 m

External dimensions

Profile width (external)	44.8 mm
--------------------------	---------

Internal dimensions

Profile width (internal)	41.85 mm
--------------------------	----------

Material specifications

Housing material	PVC
Surface characteristics	untreated

Environmental and real-life conditions

Ambient conditions

Ambient temperature (operation)	-15 °C ... 50 °C
---------------------------------	------------------

UM 45-PROFIL 100CM - Profile

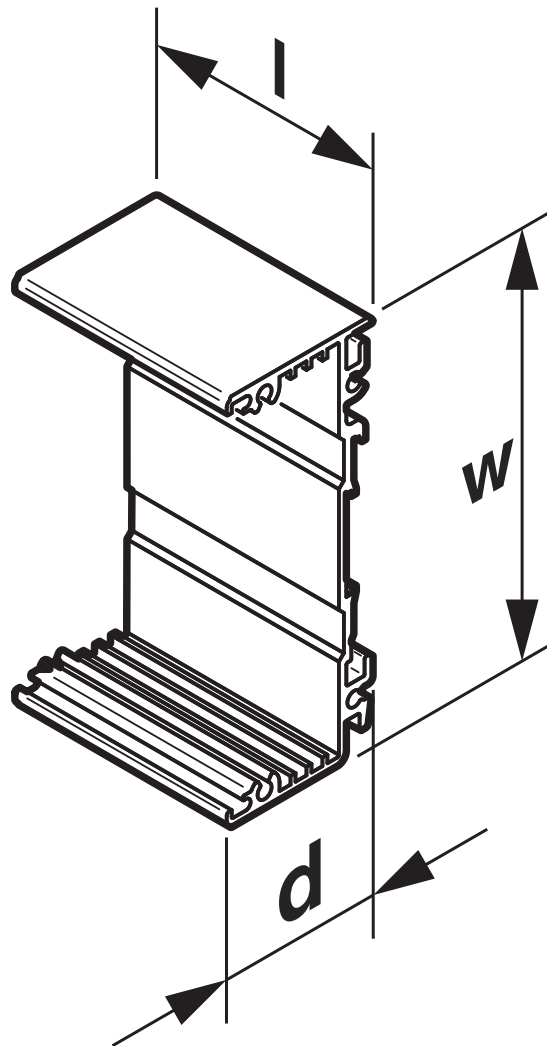
2914550

<https://www.phoenixcontact.com/us/products/2914550>



Drawings

Dimensional drawing



UM 45-PROFIL 100CM - Profile



2914550

<https://www.phoenixcontact.com/us/products/2914550>

Classifications

ECLASS

ECLASS-11.0	27182701
ECLASS-13.0	27190601

ETIM

ETIM 8.0	EC002779
----------	----------

UNSPSC

UNSPSC 21.0	31261500
-------------	----------

UM 45-PROFIL 100CM - Profile



2914550

<https://www.phoenixcontact.com/us/products/2914550>

Environmental product compliance

EU RoHS

Fulfills EU RoHS substance requirements	Yes, No exemptions
---	--------------------

China RoHS

Environment friendly use period (EFUP)	EFUP-E
	No hazardous substances above the limits

EU REACH SVHC

REACH candidate substance (CAS No.)	No substance above 0.1 wt%
-------------------------------------	----------------------------

Phoenix Contact 2024 © - all rights reserved
<https://www.phoenixcontact.com>

Phoenix Contact USA
586 Fulling Mill Road
Middletown, PA 17057, United States
(+717) 944-1300
info@phoenixcon.com