

DFLK-D15 SUB/M/FKCT - Interface module



2903054

<https://www.phoenixcontact.com/us/products/2903054>

Please be informed that the data shown in this PDF document is generated from our online catalog. Please find the complete data in the user documentation. Our general terms of use for downloads are valid.



The VARIOFACE feed-through module implements a 1:1 connection between plug-in push-in spring-cage connection terminal blocks and a D-SUB miniature pin strip (number of positions: 15). A separate ground pick-off is available.

Commercial data

Item number	2903054
Packing unit	1 pc
Minimum order quantity	1 pc
Note	Made to order (non-returnable)
Sales key	C422
Product key	CK2225
Catalog page	Page 590 (C-7-2015)
GTIN	4046356709637
Weight per piece (including packing)	77.5 g
Weight per piece (excluding packing)	77.5 g
Customs tariff number	85369010
Country of origin	DE

Technical data

Product properties

Product type	Interface module
Product family	VARIOFACE
Number of positions	15

Insulation characteristics

Insulation	Functional insulation
------------	-----------------------

Insulation characteristics: Air clearances and creepage distances

Insulation	Functional insulation
Overvoltage category	II
Pollution degree	2

Electrical properties

Operating voltage (AC)	≤ 30 V AC
Operating voltage (DC)	≤ 60 V DC
Current (per branch)	≤ 2.5 A
Current (Total current)	≤ 37.5 A (50 °C)

Air clearances and creepage distances

Rated insulation voltage	125 V
Rated surge voltage	1.2 kV (1.2/50 μs)

Connection data

Connection 1 (control level)

Connection in acc. with standard	IEC 60807-2
Connection method	D-SUB pin strip
Screw thread	UNC 4-40
Number of connections	1
Number of positions	15
Insertion/withdrawal cycles	> 500
Pitch	2.74 mm

Connection 2 (field level)

Connection method	Push-in spring connection
Stripping length	10 mm
Number of positions	16
Conductor cross section rigid	0.2 mm ² ... 2.5 mm ²
Conductor cross section flexible	0.2 mm ² ... 2.5 mm ²
Conductor cross section AWG	24 ... 12

Signaling

Status display present	No
------------------------	----

DFLK-D15 SUB/M/FKCT - Interface module



2903054

<https://www.phoenixcontact.com/us/products/2903054>

Dimensions

Item dimensions

Width	38 mm
Height	58.4 mm
Depth	46 mm

Material specifications

Color	gray (RAL 7042)
Housing insulation material	Polyamide PA non-reinforced

Environmental and real-life conditions

Ambient conditions

Degree of protection (Module)	IP20
Degree of protection (Installation location)	≥ IP54
Ambient temperature (operation)	-20 °C ... 50 °C
Ambient temperature (storage/transport)	-20 °C ... 70 °C
Altitude	≤ 2000 m

Approvals

UKCA

Certificate	UKCA-compliant
-------------	----------------

Standards and regulations

Air clearances and creepage distances

Standards/regulations	EN IEC 60664-1
-----------------------	----------------

Mounting

Mounting type	Rear mounting
Mounting position	any

Notes

General	For proper use, the specifications of the installation directive (see Downloads) must be observed. For applications or use with third-party products, the specifications, and the safety and warning instructions of the respective third-party manufacturer must also be met.
---------	--

DFLK-D15 SUB/M/FKCT - Interface module

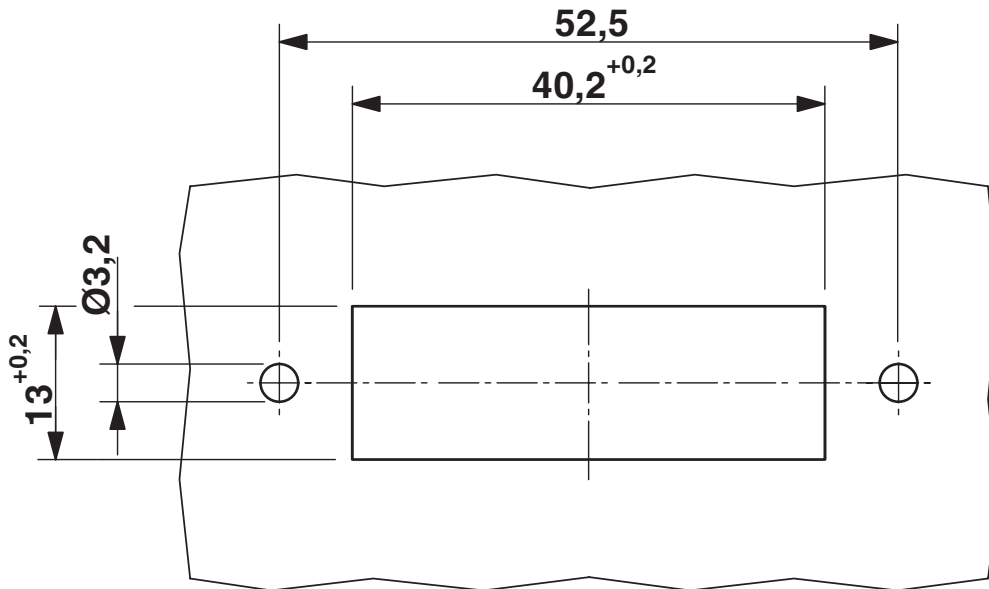


2903054

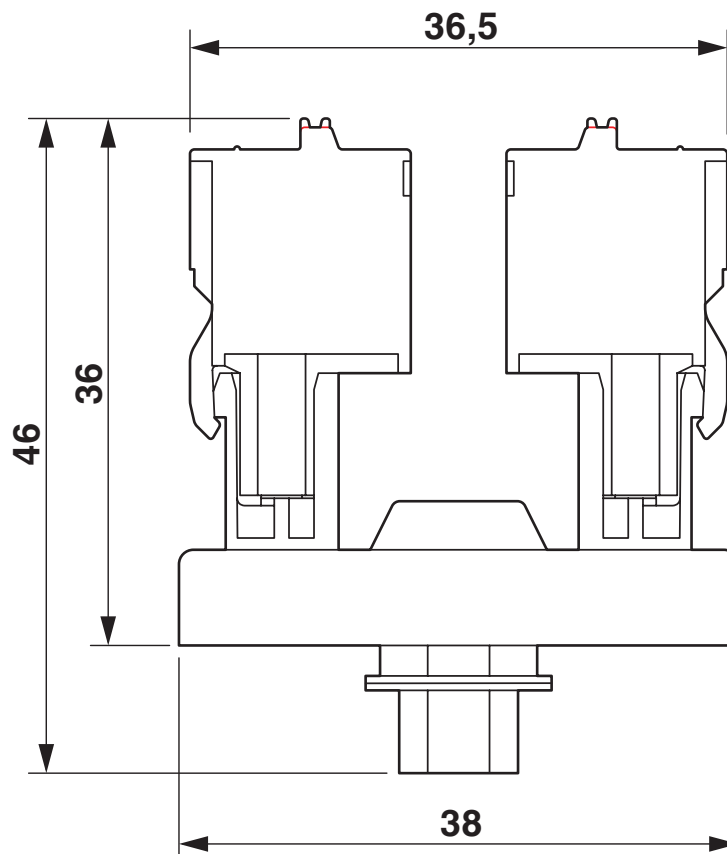
<https://www.phoenixcontact.com/us/products/2903054>

Drawings

Dimensional drawing



Dimensional drawing



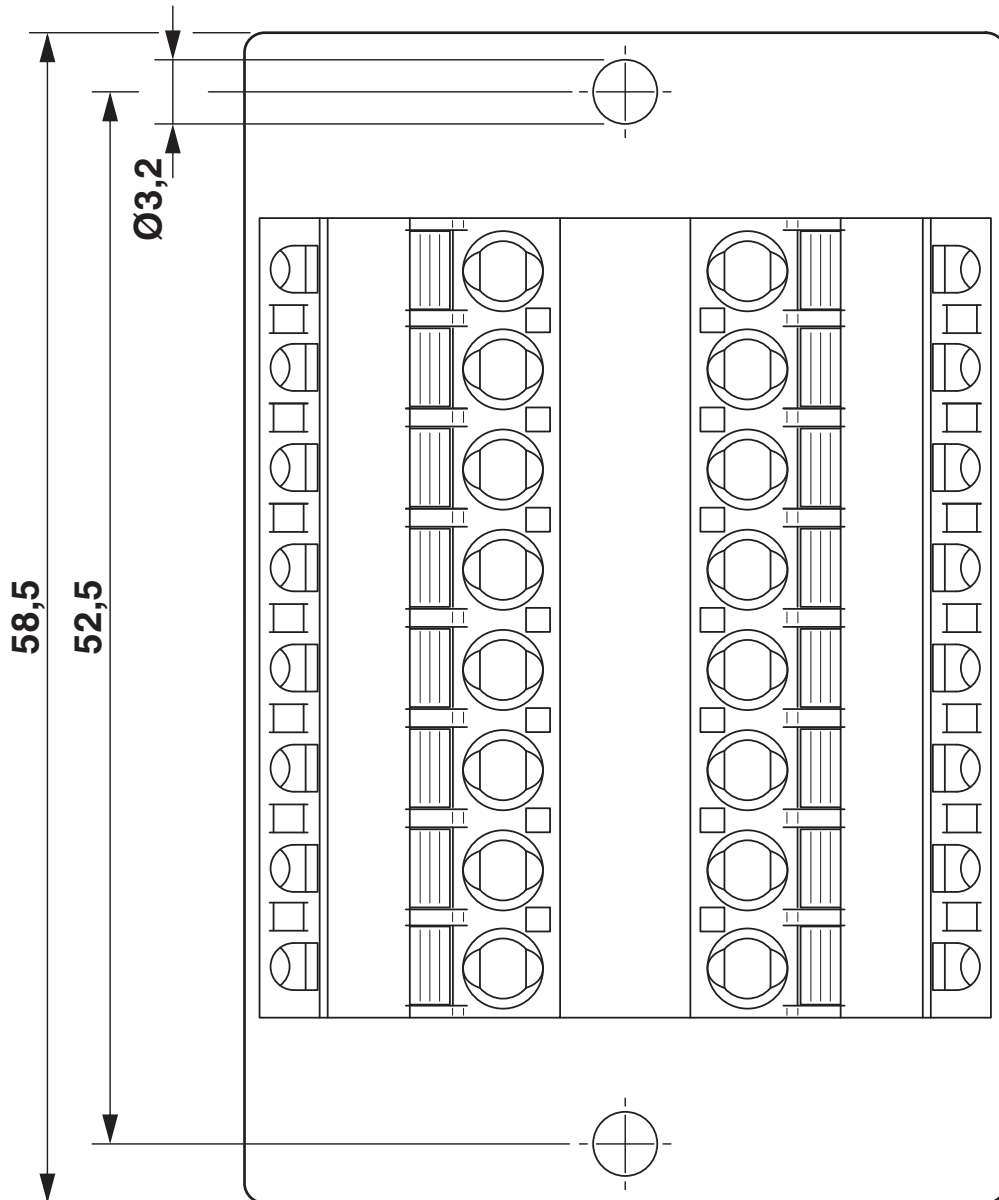
DFLK-D15 SUB/M/FKCT - Interface module

2903054

<https://www.phoenixcontact.com/us/products/2903054>



Dimensional drawing



DFLK-D15 SUB/M/FKCT - Interface module





2903054

<https://www.phoenixcontact.com/us/products/2903054>

Approvals

To download certificates, visit the product detail page: <https://www.phoenixcontact.com/us/products/2903054>

 cUL Recognized Approval ID: FILE E 238705				
	Nominal voltage U_N	Nominal current I_N	Cross section AWG	Cross section mm^2
	125 V	1 A	30 - 12	-

 UL Recognized Approval ID: FILE E 238705				
	Nominal voltage U_N	Nominal current I_N	Cross section AWG	Cross section mm^2
	125 V	1 A	30 - 12	-

cULus Recognized				
-------------------------	--	--	--	--

DFLK-D15 SUB/M/FKCT - Interface module



2903054

<https://www.phoenixcontact.com/us/products/2903054>

Classifications

ECLASS

ECLASS-11.0	27141152
ECLASS-12.0	27141152
ECLASS-13.0	27141152

ETIM

ETIM 9.0	EC002780
----------	----------

UNSPSC

UNSPSC 21.0	39121400
-------------	----------

DFLK-D15 SUB/M/FKCT - Interface module



2903054

<https://www.phoenixcontact.com/us/products/2903054>

Environmental product compliance

EU RoHS

Fulfills EU RoHS substance requirements	Yes, No exemptions
---	--------------------

China RoHS

Environment friendly use period (EFUP)	EFUP-E
	No hazardous substances above the limits

EU REACH SVHC

REACH candidate substance (CAS No.)	No substance above 0.1 wt%
-------------------------------------	----------------------------

DFLK-D15 SUB/M/FKCT - Interface module



2903054

<https://www.phoenixcontact.com/us/products/2903054>

Accessories

CABLE D-SUB-S/.../.../... - Cable

2302340

<https://www.phoenixcontact.com/us/products/2302340>



Shielded round cable, assembled with one D-SUB female and pin strip (9-, 15-, 25-, 37-, or 50-pos.), variable cable length

CABLE D-SUB-B-B-S/.../.../... - Cable

2302421

<https://www.phoenixcontact.com/us/products/2302421>



Shielded round cable, assembled with two D-SUB female strips (9-, 15-, 25-, 37-, or 50-pos.), variable cable length

DFLK-D15 SUB/M/FKCT - Interface module



2903054

<https://www.phoenixcontact.com/us/products/2903054>

CABLE-D15SUB/B/S/ 50/KONFEK/S - Cable

2302052

<https://www.phoenixcontact.com/us/products/2302052>



Assembled shielded round cable; connection 1: D-SUB socket strip (1x 15-position); connection 2: D-SUB pin strip (1x 15-position); cable length: 0.5 m

CABLE-D15SUB/B/S/100/KONFEK/S - Cable

2302065

<https://www.phoenixcontact.com/us/products/2302065>



Assembled shielded round cable; connection 1: D-SUB socket strip (1x 15-position); connection 2: D-SUB pin strip (1x 15-position); cable length: 1 m

DFLK-D15 SUB/M/FKCT - Interface module



2903054

<https://www.phoenixcontact.com/us/products/2903054>

CABLE-D15SUB/B/S/150/KONFEK/S - Cable

2302078

<https://www.phoenixcontact.com/us/products/2302078>



Assembled shielded round cable; connection 1: D-SUB socket strip (1x 15-position); connection 2: D-SUB pin strip (1x 15-position); cable length: 1.5 m

CABLE-D15SUB/B/S/200/KONFEK/S - Cable

2302081

<https://www.phoenixcontact.com/us/products/2302081>



Assembled shielded round cable; connection 1: D-SUB socket strip (1x 15-position); connection 2: D-SUB pin strip (1x 15-position); cable length: 2 m

DFLK-D15 SUB/M/FKCT - Interface module



2903054

<https://www.phoenixcontact.com/us/products/2903054>

CABLE-D15SUB/B/S/300/KONFEK/S - Cable

2302094

<https://www.phoenixcontact.com/us/products/2302094>



Assembled shielded round cable; connection 1: D-SUB socket strip (1x 15-position); connection 2: D-SUB pin strip (1x 15-position); cable length: 3 m

CABLE-D15SUB/B/S/400/KONFEK/S - Cable

2302104

<https://www.phoenixcontact.com/us/products/2302104>



Assembled shielded round cable; connection 1: D-SUB socket strip (1x 15-position); connection 2: D-SUB pin strip (1x 15-position); cable length: 4 m

DFLK-D15 SUB/M/FKCT - Interface module



2903054

<https://www.phoenixcontact.com/us/products/2903054>

CABLE-D15SUB/B/S/600/KONFEK/S - Cable

2302117

<https://www.phoenixcontact.com/us/products/2302117>



Assembled shielded round cable; connection 1: D-SUB socket strip (1x 15-position); connection 2: D-SUB pin strip (1x 15-position); cable length: 6 m

CABLE-D15SUB/B/S/HF/S/ 1,0M - Cable

1066600

<https://www.phoenixcontact.com/us/products/1066600>



Assembled, shielded, halogen-free round cable; connection 1: D-SUB socket strip (1x 15-position); connection 2: D-SUB pin strip (1x 15-position); cable length: 1 m

DFLK-D15 SUB/M/FKCT - Interface module



2903054

<https://www.phoenixcontact.com/us/products/2903054>

CABLE-D15SUB/B/S/HF/S/ 2,0M - Cable

1066602

<https://www.phoenixcontact.com/us/products/1066602>



Assembled, shielded, halogen-free round cable; connection 1: D-SUB socket strip (1x 15-position); connection 2: D-SUB pin strip (1x 15-position); cable length: 2 m

CABLE-D15SUB/B/S/HF/S/ 3,0M - Cable

1066603

<https://www.phoenixcontact.com/us/products/1066603>



Assembled, shielded, halogen-free round cable; connection 1: D-SUB socket strip (1x 15-position); connection 2: D-SUB pin strip (1x 15-position); cable length: 3 m

DFLK-D15 SUB/M/FKCT - Interface module



2903054

<https://www.phoenixcontact.com/us/products/2903054>

CABLE-D15SUB-B-S-HF-S/... - Cable

1075565

<https://www.phoenixcontact.com/us/products/1075565>



Assembled, shielded, halogen-free round cable; connection 1: D-SUB socket strip (1x 15-position); connection 2: D-SUB pin strip (1x 15-position); cable length: variable

CABLE-D-15SUB/F/OE/0,25/S/0,5M - Cable

2926085

<https://www.phoenixcontact.com/us/products/2926085>



Assembled shielded round cable; connection 1: Single wires (15-position) (The wires are marked and fitted with ferrules. The braided shield is routed to a separate cable end.); connection 2: D-SUB socket strip (1x 15-position); cable length: 0.5 m

DFLK-D15 SUB/M/FKCT - Interface module



2903054

<https://www.phoenixcontact.com/us/products/2903054>

CABLE-D-15SUB/F/OE/0,25/S/1,0M - Cable

2926098

<https://www.phoenixcontact.com/us/products/2926098>



Assembled shielded round cable; connection 1: Single wires (15-position) (The wires are marked and fitted with ferrules. The braided shield is routed to a separate cable end.); connection 2: D-SUB socket strip (1x 15-position); cable length: 1 m

CABLE-D-15SUB/F/OE/0,25/S/1,5M - Cable

2926108

<https://www.phoenixcontact.com/us/products/2926108>



Assembled shielded round cable; connection 1: Single wires (15-position) (The wires are marked and fitted with ferrules. The braided shield is routed to a separate cable end.); connection 2: D-SUB socket strip (1x 15-position); cable length: 1.5 m

DFLK-D15 SUB/M/FKCT - Interface module



2903054

<https://www.phoenixcontact.com/us/products/2903054>

CABLE-D-15SUB/F/OE/0,25/S/2,0M - Cable

2926111

<https://www.phoenixcontact.com/us/products/2926111>



Assembled shielded round cable; connection 1: Single wires (15-position) (The wires are marked and fitted with ferrules. The braided shield is routed to a separate cable end.); connection 2: D-SUB socket strip (1x 15-position); cable length: 2 m

CABLE-D-15SUB/F/OE/0,25/S/3,0M - Cable

2926124

<https://www.phoenixcontact.com/us/products/2926124>



Assembled shielded round cable; connection 1: Single wires (15-position) (The wires are marked and fitted with ferrules. The braided shield is routed to a separate cable end.); connection 2: D-SUB socket strip (1x 15-position); cable length: 3 m

DFLK-D15 SUB/M/FKCT - Interface module

2903054

<https://www.phoenixcontact.com/us/products/2903054>

CABLE-D-15SUB/F/OE/0,25/S/4,0M - Cable

2926137

<https://www.phoenixcontact.com/us/products/2926137>



Assembled shielded round cable; connection 1: Single wires (15-position) (The wires are marked and fitted with ferrules. The braided shield is routed to a separate cable end.); connection 2: D-SUB socket strip (1x 15-position); cable length: 4 m

CABLE-D-15SUB/F/OE/0,25/S/6,0M - Cable

2926140

<https://www.phoenixcontact.com/us/products/2926140>



Assembled shielded round cable; connection 1: Single wires (15-position) (The wires are marked and fitted with ferrules. The braided shield is routed to a separate cable end.); connection 2: D-SUB socket strip (1x 15-position); cable length: 6 m

DFLK-D15 SUB/M/FKCT - Interface module



2903054

<https://www.phoenixcontact.com/us/products/2903054>

CABLE-D-15SUB-F-OE-0,25-S/... - Cable

2900905

<https://www.phoenixcontact.com/us/products/2900905>



Assembled shielded round cable; connection 1: Single wires (15-position) (The wires are marked and fitted with ferrules. The braided shield is routed to a separate cable end.); connection 2: D-SUB socket strip (1x 15-position); cable length: variable

Phoenix Contact 2024 © - all rights reserved

<https://www.phoenixcontact.com>

Phoenix Contact USA
586 Fulling Mill Road
Middletown, PA 17057, United States
(+717) 944-1300
info@phoenixcon.com