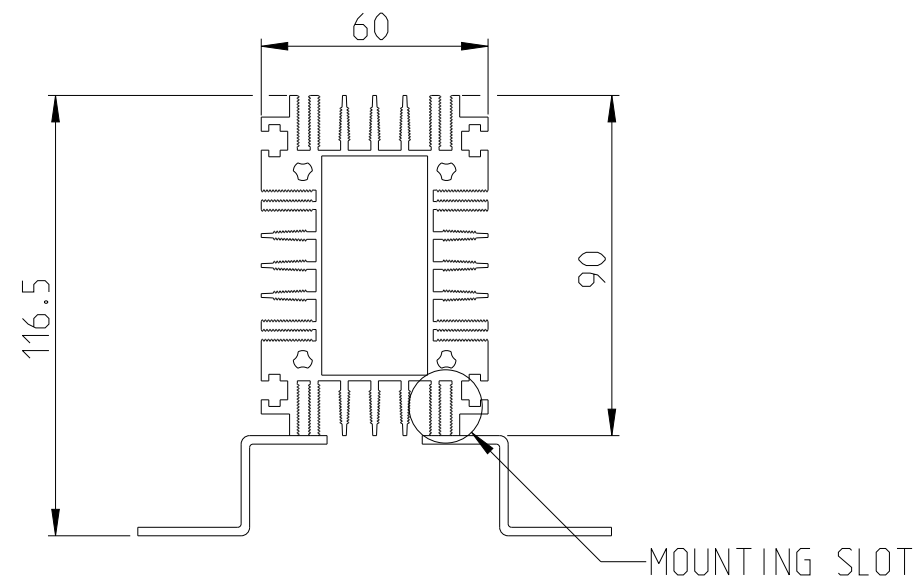
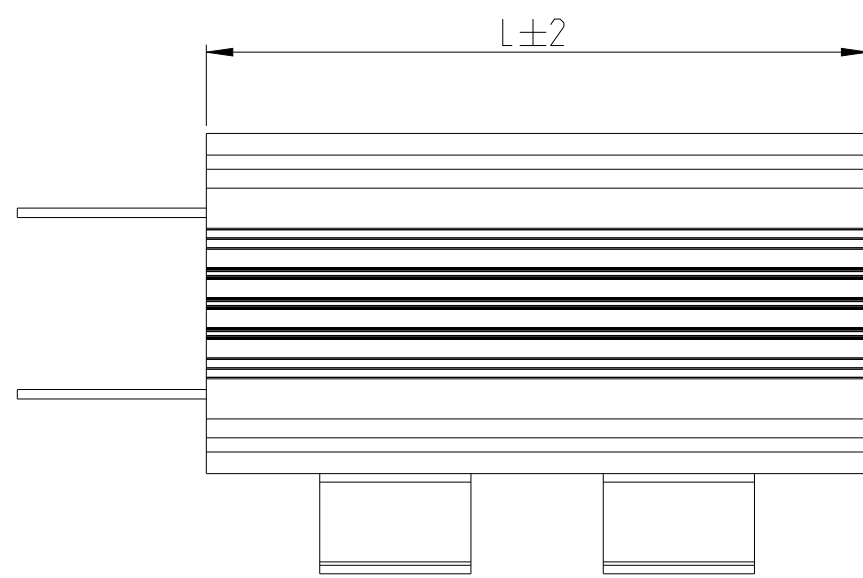


VERTICAL MOUNTING



REVISIONS				
P	LTR	DESCRIPTION	DATE	APVD
	A	INITIAL DRAWING RELEASE	22JUN2023	DM AP
	A1	CHANGE DIMENSION ON MOUNTING FEET	10AUG2023	DM AP

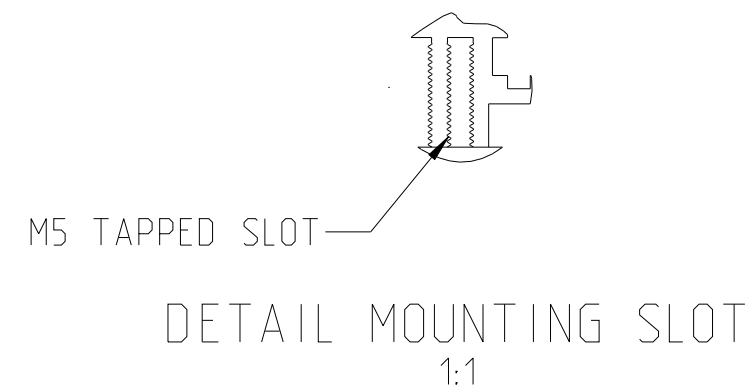
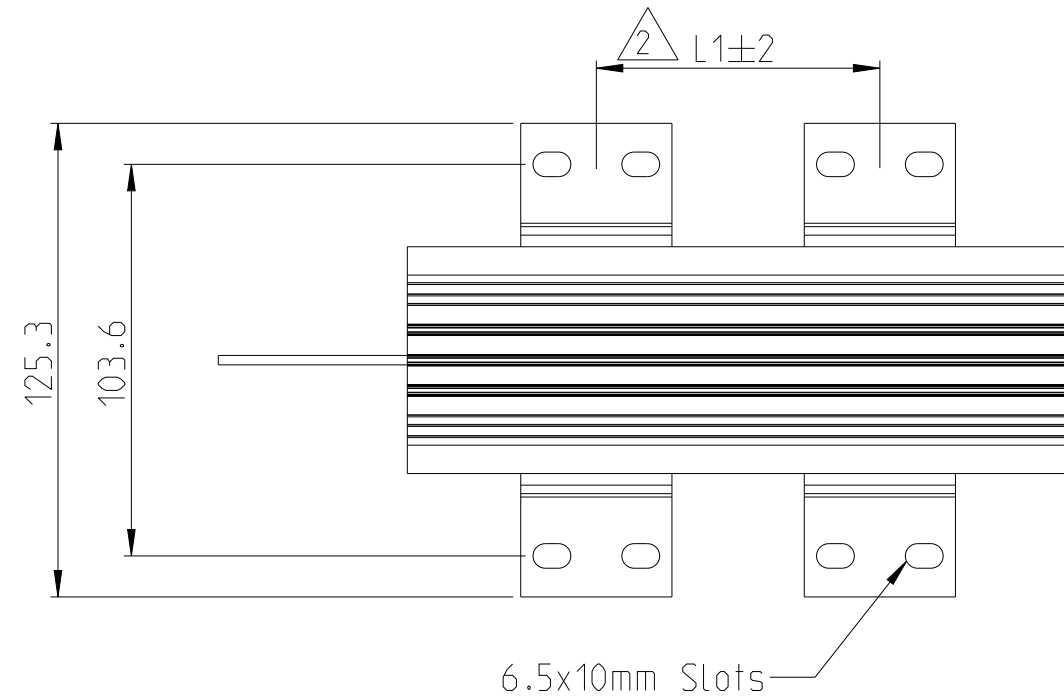
FOR FURTHER INFORMATION SEE DATA SHEET FOR ALUMINIUM HOUSED RESISTORS TYPE CJB SERIES

NOTE:

1 4X MOUNTING FEET, M5 SCREWS AND WASHERS ARE SUPPLIED IN A KIT FORM

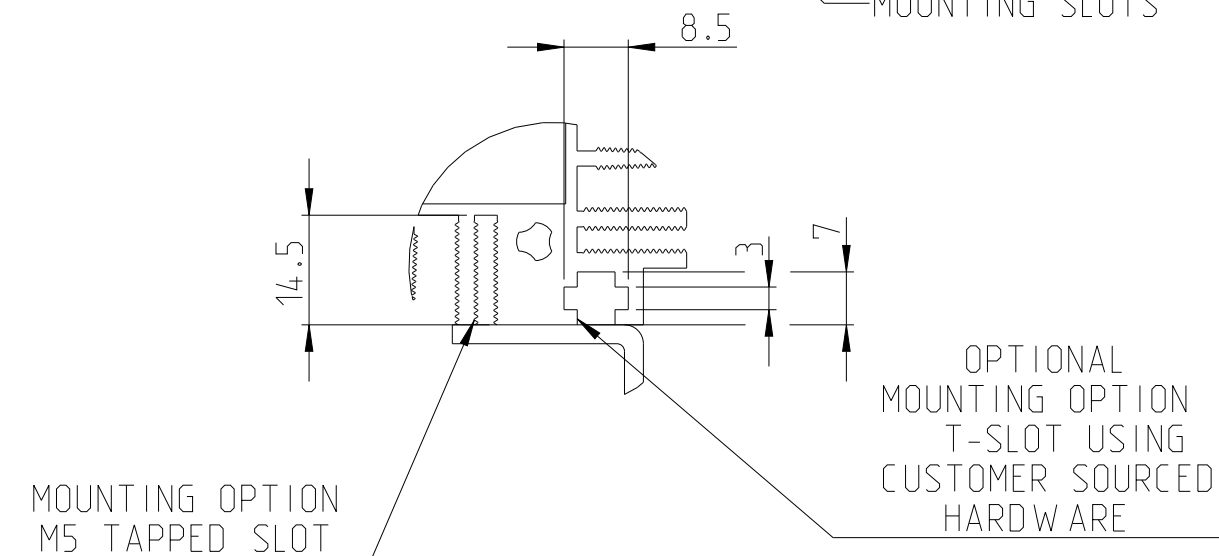
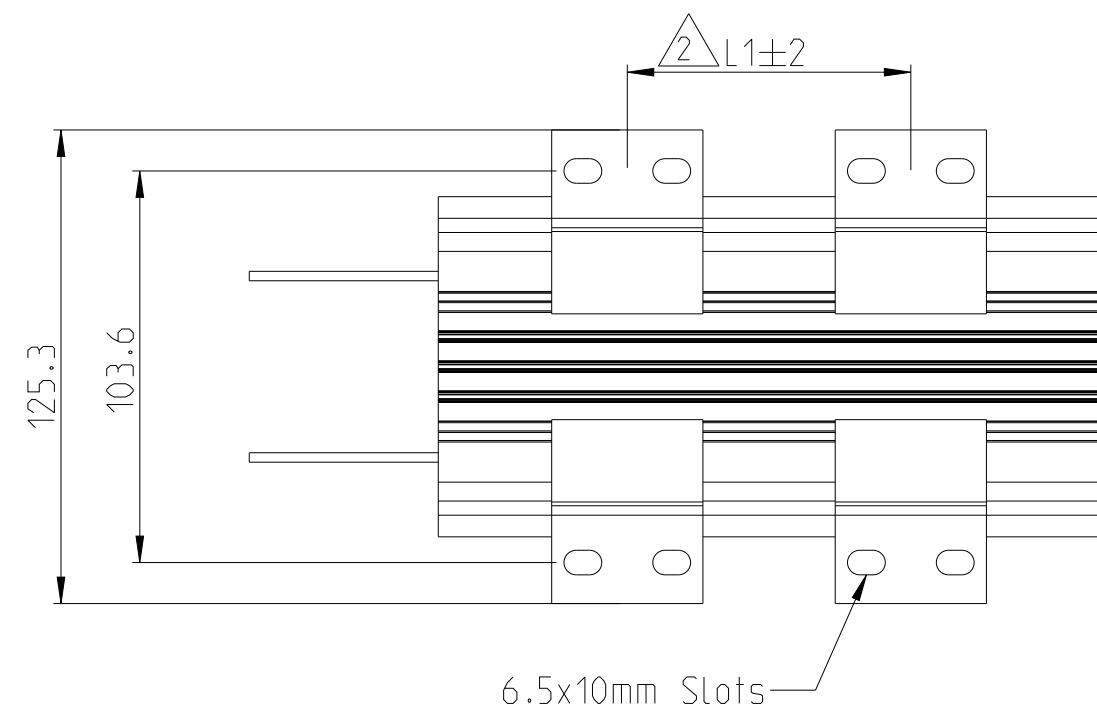
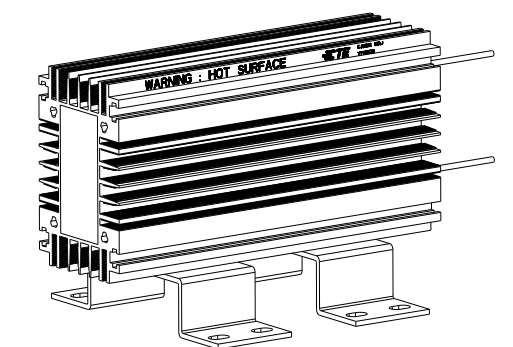
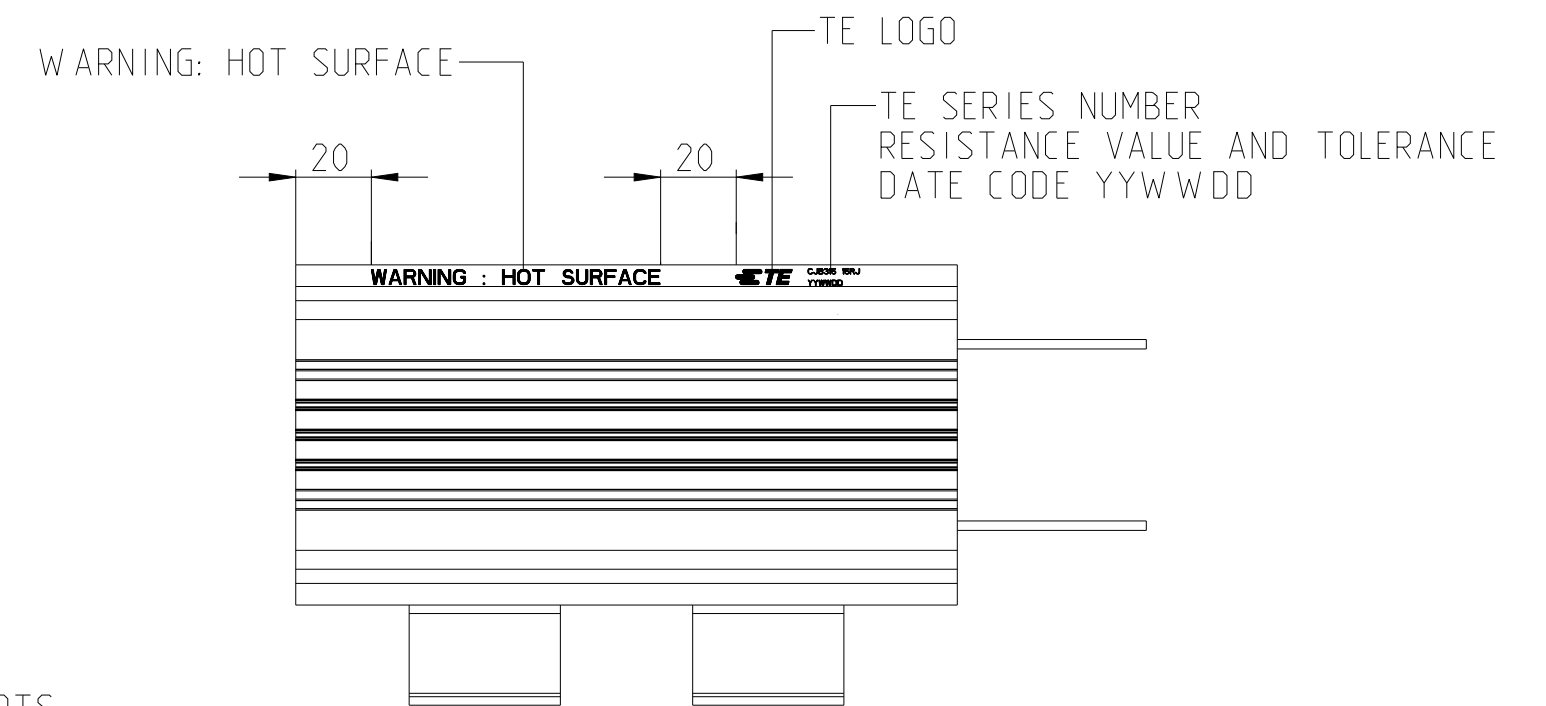
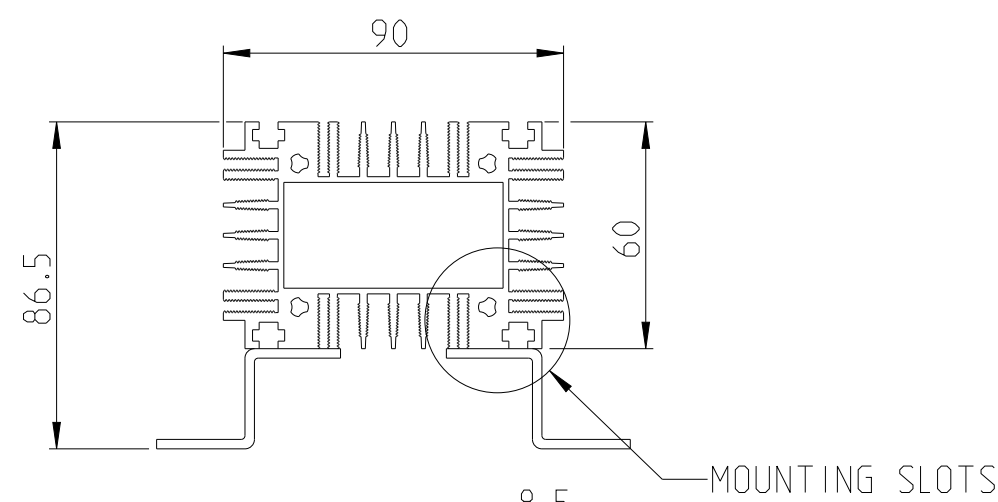
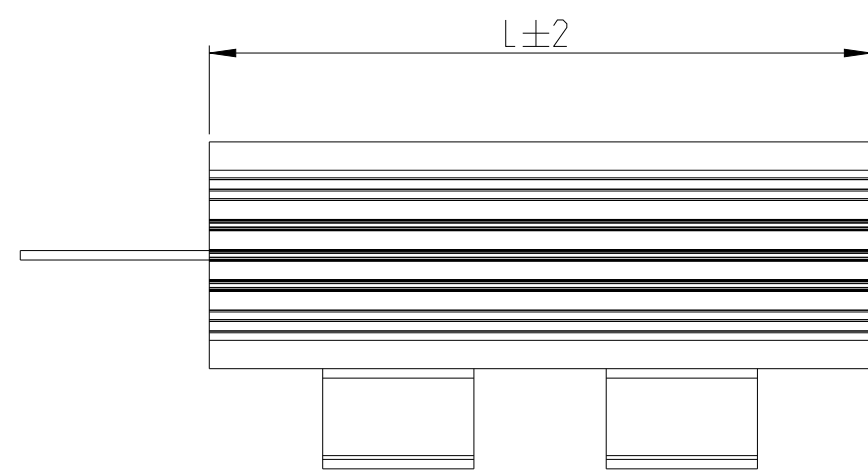
2 THIS DIMENSION CAN BE ADJUSTED, SINCE THREADING IS AVAILABLE ALONG THE LENGTH OF THE RESISTOR

TYPE	POWER RATING (W)	L (mm)	L1 (mm)
CJB315	315	175	75



VERTICAL MOUNTING

HORIZONTAL MOUNTING

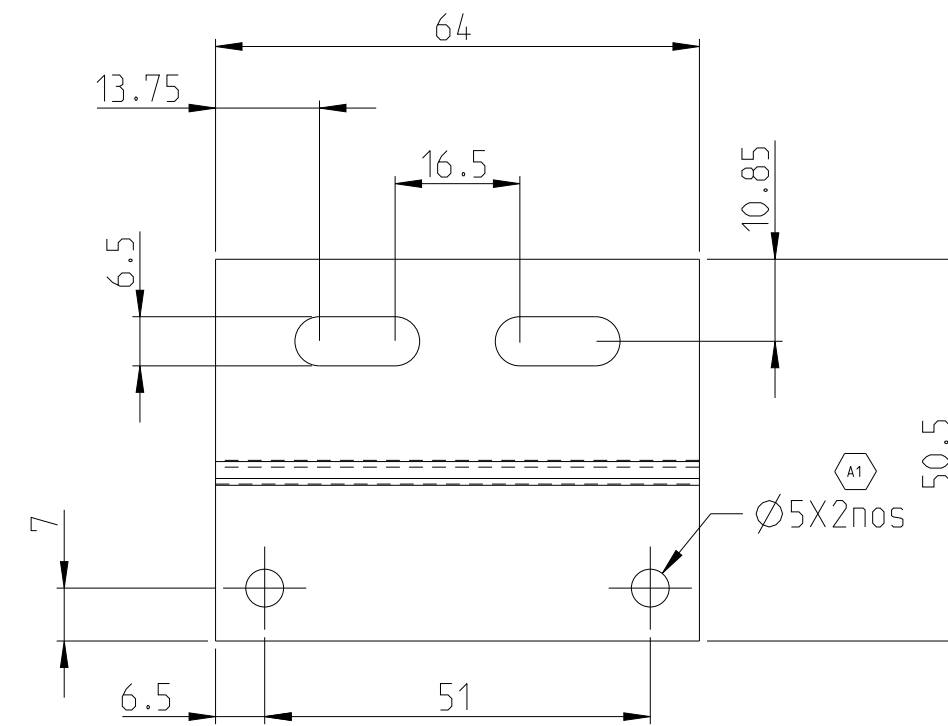
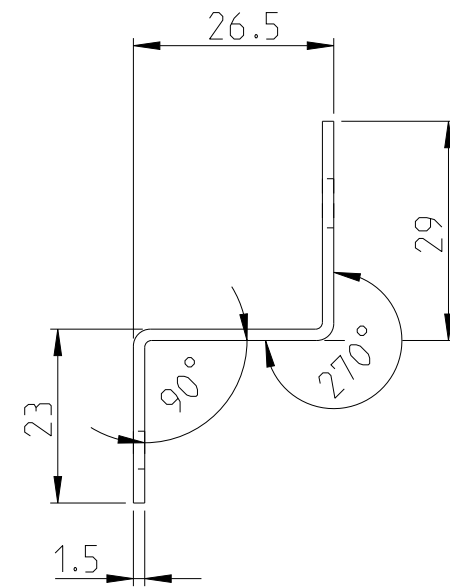


DETAIL MOUNTING SLOTS 1:1

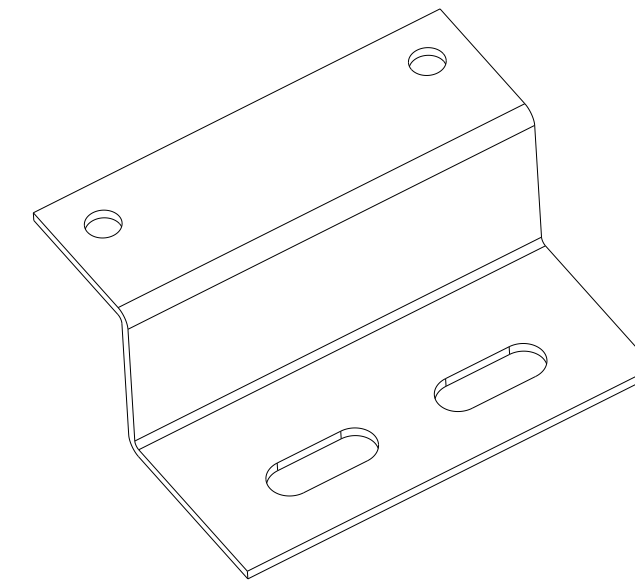
THIS DRAWING IS A CONTROLLED DOCUMENT.		DWN DHEERAJ M 22JUN2023		
		CHK TRACY G 22JUN2023		
DIMENSIONS: mm		APVD ALLAN P 22JUN2023	NAME ALUMINIUM HOUSED RESISTORS TYPE CJB315 SERIES	
TOLERANCES UNLESS OTHERWISE SPECIFIED:		PRODUCT SPEC -	SIZE A2	
0 PLC ±		APPLICATION SPEC -	CAGE CODE 00779	
1 PLC ±		WEIGHT -	DRAWING NO C-2176621	
2 PLC ±		CUSTOMER DRAWING	RESTRICTED TO -	
3 PLC ±			SCALE 1:2	
4 PLC ±			SHEET 1 OF 2	
ANGLES ±			REV A1	
FINISH -				

P	LTR	DESCRIPTION	DATE	DWN	APVD
-	-	SEE SHEET 1	-	-	-

MOUNTING FEET



1:1



Schedule

TCPN	Catalogue Number	Part Description	Part Status
2176621-1	CJB315J4R7J	CJB 315W 5% 4R7 Lead	Production
2176621-2	CJB315J6R8J	CJB 315W 5% 6R8 Lead	Production
2176621-3	CJB315J10RJ	CJB 315W 5% 10R Lead	Production
2176621-4	CJB315J15RJ	CJB 315W 5% 15R Lead	Production
2176621-5	CJB315J22RJ	CJB 315W 5% 22R Lead	Production
2176621-6	CJB315J33RJ	CJB 315W 5% 33R Lead	Production
2176621-7	CJB315J47RJ	CJB 315W 5% 47R Lead	Production
2176621-8	CJB315J68RJ	CJB 315W 5% 68R Lead	Production
2176621-9	CJB315J100RJ	CJB 315W 5% 100R Lead	Production

THIS DRAWING IS A CONTROLLED DOCUMENT.		DWN DHEERAJ M 22 JUN 2023	TE Connectivity	
DIMENSIONS: mm		CHK TRACY G 22 JUN 2023		
TOLERANCES UNLESS OTHERWISE SPECIFIED:		APVD ALLAN P 22 JUN 2023	NAME ALUMINIUM HOUSED RESISTORS TYPE CJB315 SERIES	
0 PLC ± 1 PLC ± 2 PLC ± 3 PLC ± 4 PLC ± ANGLES ± FINISH ±		PRODUCT SPEC -	APPLICATION SPEC -	RESTRICTED TO -
MATERIAL	-	WEIGHT	-	SIZE A2
CUSTOMER DRAWING		SCALE	1:2	SHEET 2 OF 2
		REV	A1	