

IRA-S510ST01



Applications

| | |
|--------------------------|--|
| Unsuitable Applications | Please be sure to read and comply with these "Precautions for use." |
| Specific Applications | Consumer equipment Please refer to Our Website and specifications, etc. for information about the performance, functions, quality, management, and safety required for the above applications, and use Products after confirming the performance and reliability of the actual Product. |
| Recommended Applications | Intrusion detection, Security Equipment, Light |

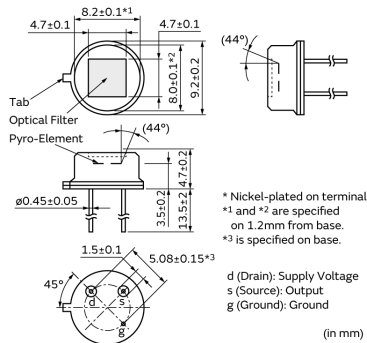
Packaging Information

| Packaging | Specifications | Standard Packing Quantity |
|-----------|----------------|---------------------------|
| - | Box | 100 |

Features

Excellent Sensitivity & S/N ratio (Signal/Noise)
Excellent Quality

Appearance & Shape



Attention

- This datasheet is downloaded from the website of Murata Manufacturing Co., Ltd. Therefore, its specifications are subject to change or our products in it may be discontinued without advance notice. Please check with our sales representatives or product engineers before ordering.
- This datasheet has only typical specifications because there is no space for detailed specifications. Therefore, please review our product specifications or consult the approval sheet for product specifications before ordering.

IRA-S510ST01

Specifications

| | |
|-----------------------------|-----------------------------------|
| Shape | Lead |
| Dimensions | TO-5(ϕ 9.2x4.7mm) |
| Output Type | Analog |
| Electrode | (1.0x1.0mm)x4 |
| Responsivity(typ.) | 3.3mV |
| Supply Voltage Range | 2V to 15V |
| Field of View | $\theta_1=\theta_2=44\text{deg.}$ |
| Operating Temperature Range | -40°C to 70°C |
| Storage Temperature Range | -40°C to 85°C |

Attention

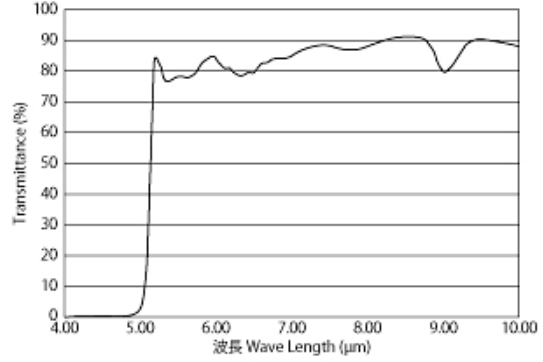
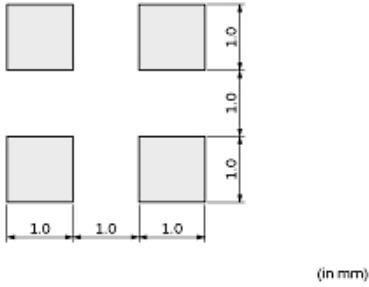
1.This datasheet is downloaded from the website of Murata Manufacturing Co., Ltd. Therefore, it's specifications are subject to change or our products in it may be discontinued without advance notice. Please check with our sales representatives or product engineers before ordering.

2.This datasheet has only typical specifications because there is no space for detailed specifications.

Therefore, please review our product specifications or consult the approval sheet for product specifications before ordering.

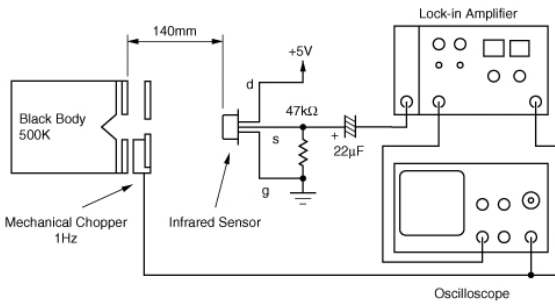
IRA-S510ST01

Product Data



Pyroelectric Elements(Electrode Dimension)

Optical Filter characteristics



Test system of Responsivity

Attention

- 1.This datasheet is downloaded from the website of Murata Manufacturing Co., Ltd. Therefore, it's specifications are subject to change or our products in it may be discontinued without advance notice. Please check with our sales representatives or product engineers before ordering.
- 2.This datasheet has only typical specifications because there is no space for detailed specifications.
Therefore, please review our product specifications or consult the approval sheet for product specifications before ordering.