

## Magnetic gripper

SGM 30 G1/8-IG

Part no.:10.01.17.00162

<https://www.schmalz.com/10.01.17.00162>

Home > Vacuum Technology for Automation > Vacuum Components > Special Grippers > Magnetic Grippers > Magnetic Grippers SGM > SGM 30 G1/8-IG

### Magnetic gripper for handling metal sheets with holes



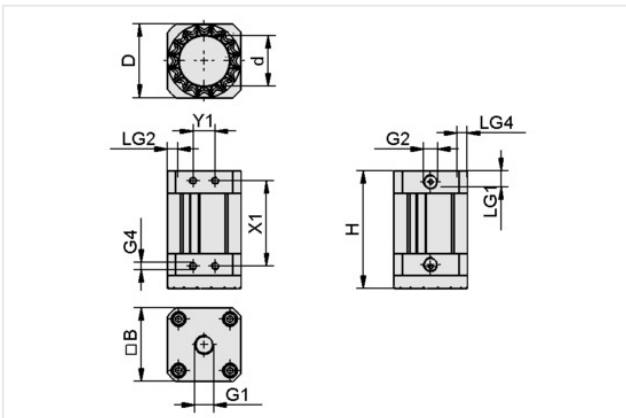
Size: 30

Socket: G1/8"-F

Holding force max. friction ring: 35 N

Pressure range (operating pressure): 3.5 ... 6.0 bar

### Design Data



Attribute	Value
B	30.10 mm
D	29.50 mm
d	16.50 mm
G1	G1/8"-F
G2	G1/8"-F
G4	M4-F
H	70.20 mm
LG1	7 mm
LG2	6 mm
LG4	5 mm
X1	46 mm
Y1	12 mm

### Technical Data

Attribute	Value
Holding force max. friction ring	35 N
Remaining force	0.30 N
Pressure range (operating pressure)	3.5 ... 6.0 bar
Installation position	BEL
Control valve	Bistable
Operating temperature	5 ... 70 °C

### Contact Schmalz

Schmalz Inc. | 5850 Oak Forest Drive, Raleigh, NC 27616, United States | +1 (919) 713-0880 | [schmalz.us@schmalz.com](mailto:schmalz.us@schmalz.com)

## Magnetic gripper

SGM 30 G1/8-IG

Part no...:10.01.17.00162

<https://www.schmalz.com/10.01.17.00162>

Weight	130 g
Product family	SGM

Note: Holding force: The value given is a statistical value with no safety factor; based on a plate with a thickness of 2 mm. For system configurations with magnetic grippers SGM, a safety factor of  $S = 3$  must be applied

### Accessories



#### HTS-A2 SGM 30/40 OP

Part no...:10.01.17.00581

Connection 1: Bolt with slot  $\varnothing 19\text{mm}$

Construction use: Magnetic gripper

Size: 30/40



#### HTS-A3 SGM 30/40 OP

Part no...:10.01.17.00558

Connection 1: Ball head 28.5 mm

Construction use: Magnetic gripper

Size: 30/40

## Magnetic gripper

SGM 30 G1/8-IG

Part no...:10.01.17.00162

<https://www.schmalz.com/10.01.17.00162>



### HTS-A2 D SGM 30/40 OP

Part no...:10.01.17.00586

Connection 1: Bolt with slot  $\varnothing$ 19mm

Construction use: Magnetic gripper

Size: 30/40

Shape: Double block



### HTS-A3 D SGM 30/40 OP

Part no...:10.01.17.00582

Connection 1: Ball head 28.5 mm

Construction use: Magnetic gripper

Size: 30/40

Shape: Double block



### HPS-SGM 2M6 30/40 OP

Part no...:10.01.17.00655

Construction use: Magnetic gripper

Connection 1: 2x screws M6

Size: 30/40

Shape: One-piece

## Magnetic gripper

SGM 30 G1/8-IG

Part no...:10.01.17.00162

<https://www.schmalz.com/10.01.17.00162>



### STV-GE G1/8-AG 6

Part no...:10.08.02.00204

Thread G1: G1/8"-M

Hose diameter: 6 mm

Material: Brass

Operating temperature: -20 ... 80 °C

External diameter D: 11.4 mm

Length L: 16.4 mm



### STV-W G1/8-AG 6

Part no...:10.08.02.00158

Thread G1: G1/8"-M

Hose diameter: 6 mm

Material: Nickel plated

Operating temperature: -20 ... 80 °C

Length L: 20.1 mm



### VSL 6-4 PU MI-TR

Part no...:10.07.09.00002

External diameter D: 6 mm

Internal diameter d: 4 mm

Length max.: 500 m

Material hose: PU

Bending radius min.: 35 mm

Pressure range (operating pressure): -0.95 ... 10.00 bar

Operating temperature: -20 ... 90 °C

## Spare parts

### Contact Schmalz

Schmalz Inc. | 5850 Oak Forest Drive, Raleigh, NC 27616, United States | +1 (919) 713-0880 | [schmalz.us@schmalz.com](mailto:schmalz.us@schmalz.com)

## Magnetic gripper

SGM 30 G1/8-IG

Part no...:10.01.17.00162

<https://www.schmalz.com/10.01.17.00162>



### REIB-RING SGM 30 PU-55

Part no...:10.01.17.00136

Construction use: Magnetic gripper

Size: 30

External diameter D: 29.5 mm

Internal diameter d: 19 mm