

# EM-MP 70 - Mounting panel

2942742

<https://www.phoenixcontact.com/us/products/2942742>

Please be informed that the data shown in this PDF document is generated from our online catalog. Please find the complete data in the user documentation. Our general terms of use for downloads are valid.

Mounting panel, for screwing on size 0 switching devices



## Commercial data

Item number	2942742
Packing unit	10 pc
Minimum order quantity	10 pc
Sales key	AC06
Product key	ACGEAA
Catalog page	Page 765 (C-1-2013)
GTIN	4017918099435
Weight per piece (including packing)	31.3 g
Weight per piece (excluding packing)	30.38 g
Customs tariff number	39269097
Country of origin	DE

# EM-MP 70 - Mounting panel

2942742

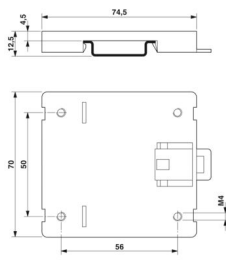
<https://www.phoenixcontact.com/us/products/2942742>

## Technical data

### Product properties

Product type	Mounting material
Housing type	DIN rail adapter
Housing series	EM-MP
Type	Flat version, 70 mm wide

### Dimensions

Dimensional drawing	
Width	70 mm
Length	74.5 mm

### Material specifications

Color	green
Flammability rating according to UL 94	V2
Housing material	Polyamide fiber reinforced
Surface characteristics	untreated

### Environmental and real-life conditions

#### Ambient conditions

Ambient temperature (operation)	-40 °C ... 105 °C
---------------------------------	-------------------

# EM-MP 70 - Mounting panel

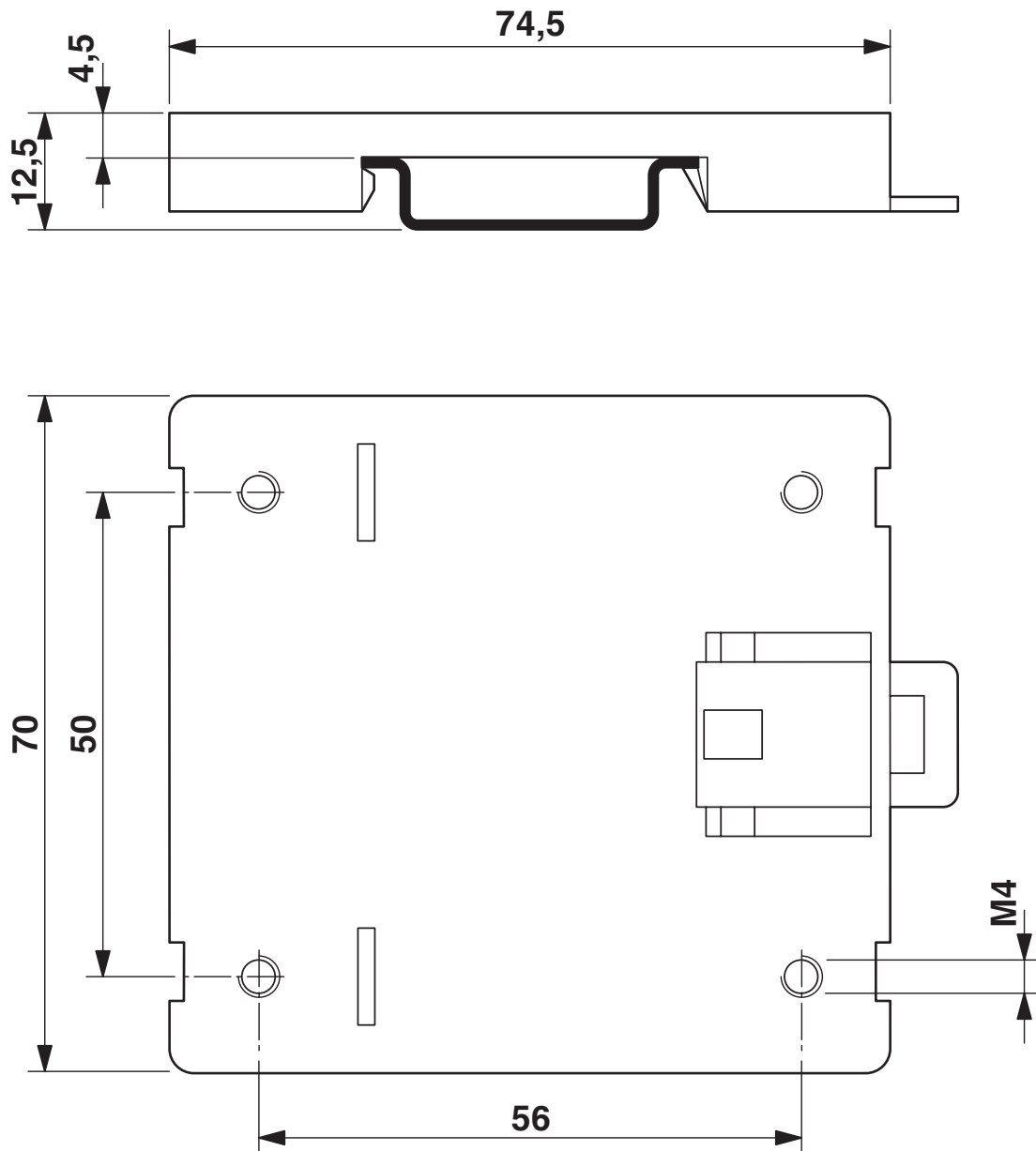


2942742

<https://www.phoenixcontact.com/us/products/2942742>

## Drawings

Dimensional drawing



# EM-MP 70 - Mounting panel

2942742

<https://www.phoenixcontact.com/us/products/2942742>



## Classifications

### ECLASS

ECLASS-11.0	27182702
ECLASS-13.0	27190605

### ETIM

ETIM 9.0	EC001031
----------	----------

### UNSPSC

UNSPSC 21.0	31261500
-------------	----------

# EM-MP 70 - Mounting panel



2942742

<https://www.phoenixcontact.com/us/products/2942742>

## Environmental product compliance

### EU RoHS

Fulfills EU RoHS substance requirements	Yes, No exemptions
---	--------------------

### China RoHS

Environment friendly use period (EFUP)	EFUP-E
	No hazardous substances above the limits

### EU REACH SVHC

REACH candidate substance (CAS No.)	No substance above 0.1 wt%
-------------------------------------	----------------------------

Phoenix Contact 2024 © - all rights reserved  
<https://www.phoenixcontact.com>

Phoenix Contact USA  
586 Fulling Mill Road  
Middletown, PA 17057, United States  
(+717) 944-1300  
[info@phoenixcon.com](mailto:info@phoenixcon.com)