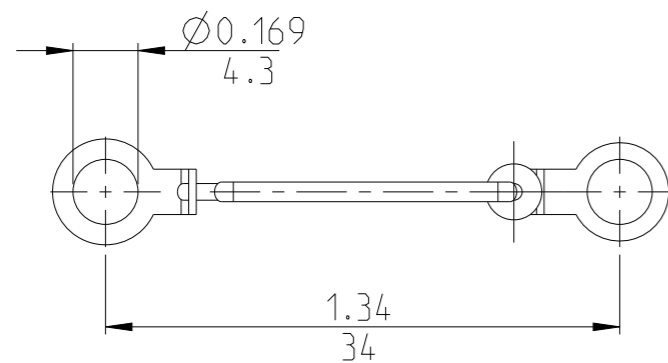


P	LTR	DESCRIPTION	DATE	DWN	APVD
	A	ECN-24-253618 TE STANDARD	28FEB2024	KS	RB



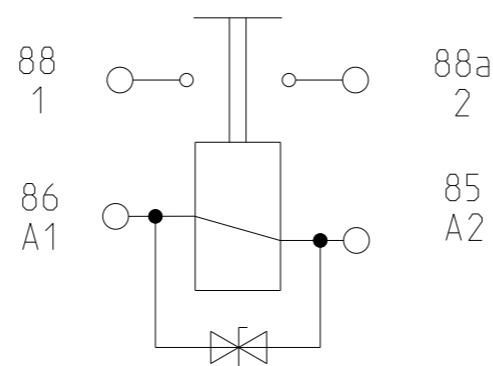
NOTES

Bemerkungen:



TE CONNECTIVITY ORDER-NUMBER  
TE-Connectivity Bestellnummer3

CIRCUIT DIAGRAM  
Schaltbild



TECHNICAL DATA:

DIODE, TYPE ..... P6KE47CA  
 BREAKDOWN VOLTAGE ..... UBR = 47 V  
 PEAK PULSE POWER ..... PPPM = 600 W  
 STEADY STATE POWER ..... PM(AV) = 5 W  
 PEAK SURGE POWER ..... IFSM = 70 A  
 WEIGHT ..... 3gr.

APPLICATION:

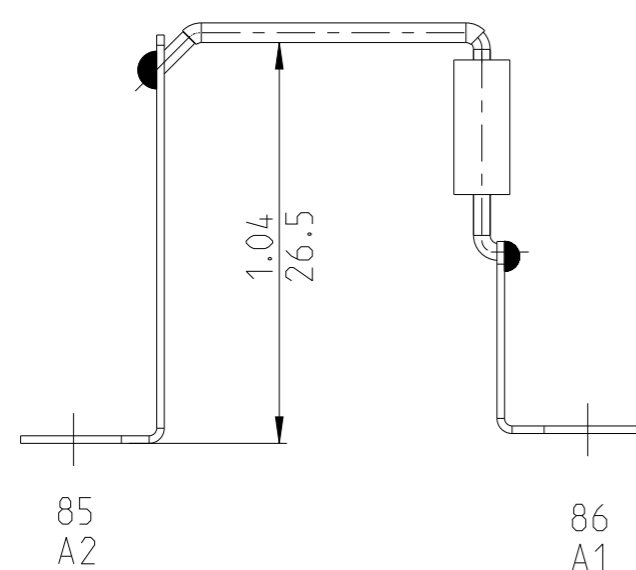
VOLTAGE SPIKE PREVENTION AT SWITCHING OFF RELAY-COILS.  
 FOR RELAYS SERIES 29-2-... AND 29-3-... WITH NOMINAL COIL-VOLTAGES  
 12 AND 24(28) VDC

Technische Daten:

Diodentyp ..... P6KE47CA  
 Durchbruchspannung ..... UBR = 47 V  
 Spitzenstoßleistung ..... PPPM = 600 W  
 Dauerleistung ..... PM(AV) = 5 W  
 Stoßstrom ..... IFSM = 70 A  
 Gewicht ..... 3gr.

Anwendung:

Verwendung: Zur Vermeidung von Spannungsspitzen beim Abschalten von Relais  
 der Baureihe 29-2... and 29-3... bei Spulenspannungen 12V und 24/28V.



K1021411	1	A	SUPPRESSION DEVICE 28VDC Loeschkombination 28VDC	1
TE ORDER-NO.	REV.		DESCRIPTION	ITEM NO

THIS DRAWING IS A CONTROLLED DOCUMENT.		DWN E.Hamarat 14 APR 2005														
DIMENSIONS: mm Inch		CHK E.Hamarat 14 APR 2005														
TOLERANCES UNLESS OTHERWISE SPECIFIED: DIN ISO 2768 cl		APVD U.Grindemann 14 APR 2005														
<table border="1"> <tr><td>0 PLC</td><td>±</td></tr> <tr><td>1 PLC</td><td>±</td></tr> <tr><td>2 PLC</td><td>±</td></tr> <tr><td>3 PLC</td><td>±</td></tr> <tr><td>4 PLC</td><td>±</td></tr> <tr><td>ANGLES</td><td>±</td></tr> </table>		0 PLC	±	1 PLC	±	2 PLC	±	3 PLC	±	4 PLC	±	ANGLES	±	PRODUCT SPEC	NAME SUPPRESSION DEVICE 28VDC Loeschkombination 28VDC	
0 PLC	±															
1 PLC	±															
2 PLC	±															
3 PLC	±															
4 PLC	±															
ANGLES	±															
MATERIAL		APPLICATION SPEC	SIZE A3	CAGE CODE 00779	DRAWING NO C-29-200-50	RESTRICTED TO -										
FINISH		WEIGHT	CUSTOMER DRAWING		SCALE 2:1	SHEET 1 OF 1	REV A									