

# OWR-0504T-16

Receiver for in-ear applications

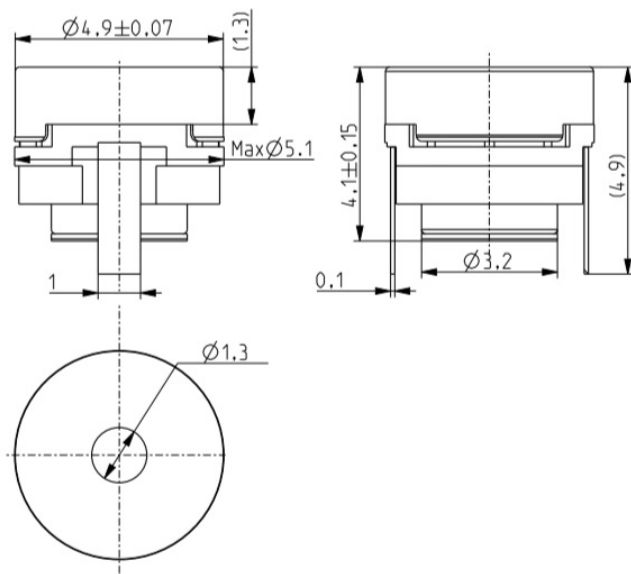


## Characteristics

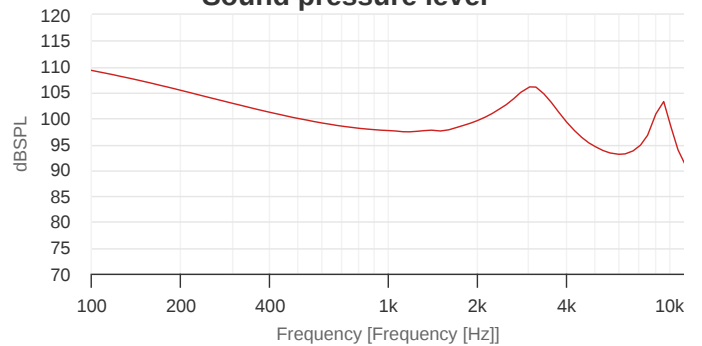
Size (ØxH) [mm]	4.9x4.1	
Sensitivity [dB SPL]	66.2±3 dB	[dB SPL @1kHz, 1mW/10mm]
Impedance [Ω]	16	
Power [W]	5.0 / 10.0	
F0 [Hz]	1200	Free field
Termination	Terminal	

Specifications are subject to change without prior notice. Upon request Ole Wolff can supply further specifications, simulation parameters etc.

## Mechanical drawing



## Sound pressure level



## Total harmonic distortion

