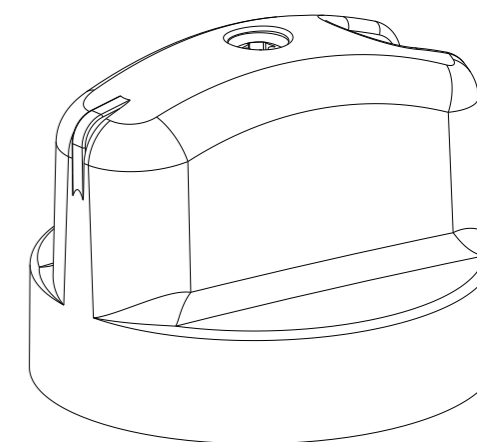
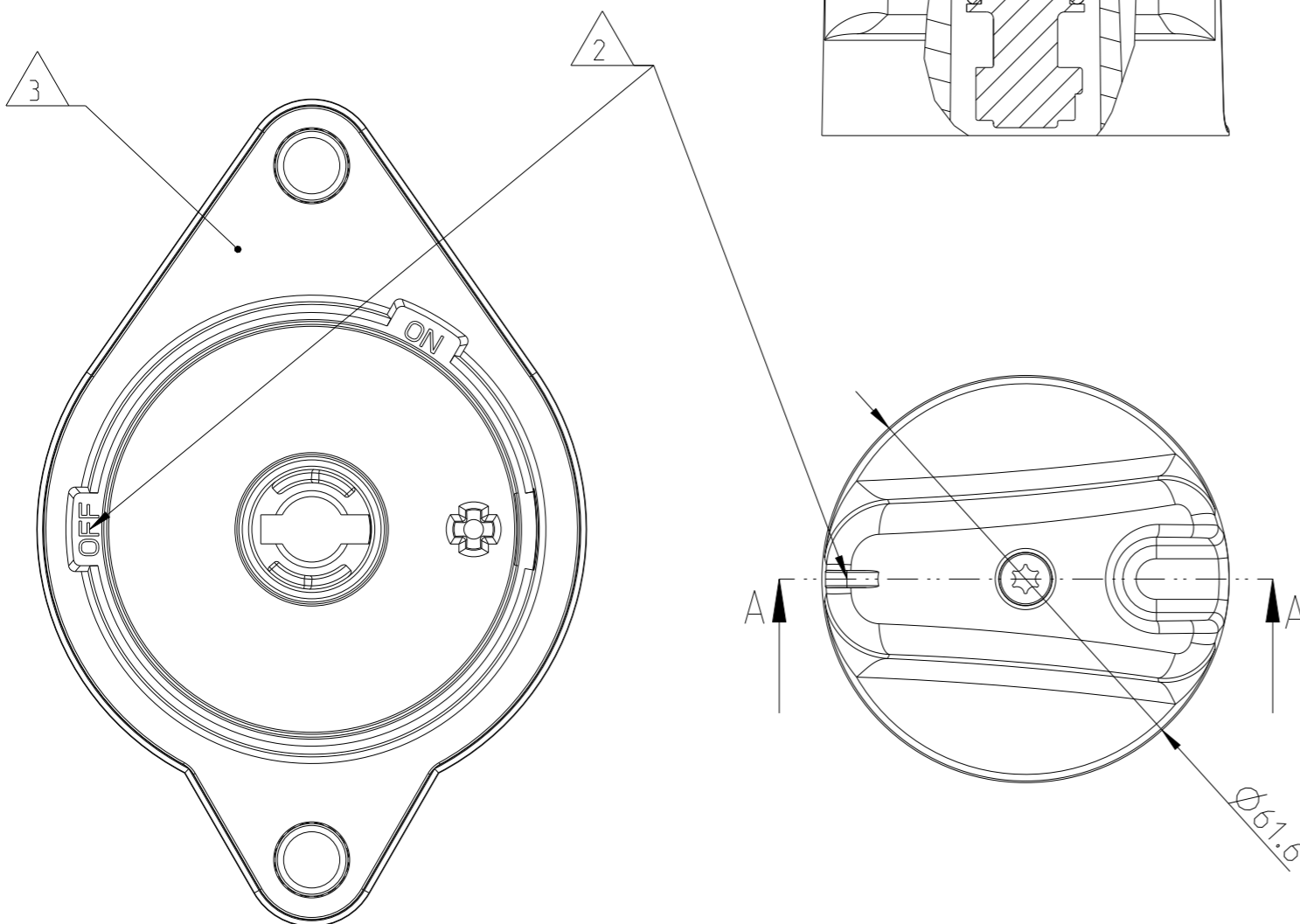
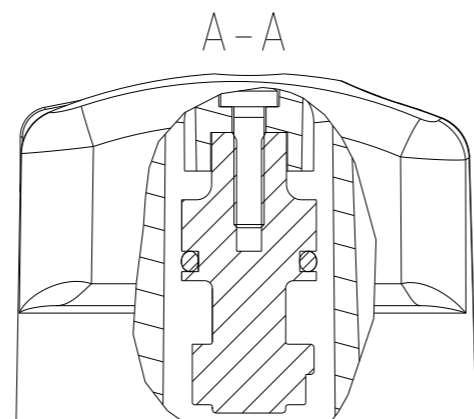


P	LTR	DESCRIPTION	DATE	DWN	APVD
	A	NEW DRAWING	12DEC2022	AF	JH

NOTES  
Bemerkungen

- 1 TE-CONNECTIVITY ORDER-NUMBER  
TE-Connectivity Bestellnummer
- 2 CHECK THE CORRECT POSITION OF THE ROTARY HANDLE DURING THE ASSEMBLY  
Bei der Montage des Drehgriffs die korrekte Position beachten
- 3 THIS ASSEMBLY IS NOT INCLUDED IN THE DELIVERY  
Diese Baugruppe ist nicht im Lieferumfang enthalten
- 4 SPARE PART IS USED FOR K1163524; K1167145 AND K1167227  
Ersatzteil wird für K1163524; K1167145 und K1167227 verwendet
- 5 PACKED IN CARDBOARD BOX ACCORDING TO TE PACKAGING INSTRUCTION: K6001054  
Verpackt in Faltschachtel nach TE Verpackungsspezifikation: K6001054



TE ORDER-NO.	REV.	QTY.	DESCRIPTION	WEIGHT [g]	ITEM NO
K5000552	A	1	ROTARY HANDLE LOCK	50	1

THIS DRAWING IS A CONTROLLED DOCUMENT.

DIMENSIONS:	TOLERANCES UNLESS OTHERWISE SPECIFIED:
mm	DIN ISO 2768 cL
	0 PLC ±
	1 PLC ±
	2 PLC ±
	3 PLC ±
	4 PLC ±
	ANGLES ±
MATERIAL	FINISH
-	-

DWN	A. FRITZ	12DEC2022
CHK	A. O. WALZ	12DEC2022
APVD	J. HOFFMANN	12DEC2022
PRODUCT SPEC		
APPLICATION SPEC		
WEIGHT	50 g	
CUSTOMER DRAWING		

<b>TE</b> TE Connectivity			
NAME ROTARY HANDLE COMPLETE Drehgriff komplett			
SIZE	CAGE CODE	DRAWING NO	RESTRICTED TO
A3	00779	35H-400-035	-
SCALE	SHEET	OF	REV
1:1	1	1	A