

# SAC-5PY-F/2XM VP SH - Y distributor



1419946

<https://www.phoenixcontact.com/us/products/1419946>

Please be informed that the data shown in this PDF document is generated from our online catalog. Please find the complete data in the user documentation. Our general terms of use for downloads are valid.

Y distributor, 5-position, Socket straight M12 SPEEDCON, coding: A, on Plug straight M12 SPEEDCON, coding: A and Plug straight M12 SPEEDCON, coding: A, Parallel distributor



## Your advantages

- Reliable signal transmission – 360° shielding in environments with electromagnetic interference
- Save time, thanks to installation with SPEEDCON fast locking system

## Commercial data

Item number	1419946
Packing unit	5 pc
Minimum order quantity	5 pc
Sales key	BF10
Product key	BF1GAC
Catalog page	Page 253 (C-2-2019)
GTIN	4046356528467
Weight per piece (including packing)	45.668 g
Weight per piece (excluding packing)	45.668 g
Customs tariff number	85366990
Country of origin	PL

# SAC-5PY-F/2XM VP SH - Y distributor

1419946

<https://www.phoenixcontact.com/us/products/1419946>

## Technical data

### Product properties

Product type	Y-distributor
Number of positions	5
No. of cable outlets	2
Shielded	yes
Coding	A
Thread type	M12

### Insulation characteristics

Overvoltage category	II
Degree of pollution	3

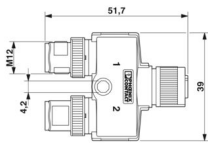
### Electrical properties

Insulation resistance	$\geq 100 \text{ M}\Omega$
Nominal voltage $U_N$	48 V AC
	60 V DC
Nominal current $I_N$	4 A

### Signaling

Status display	No
Status display present	No

### Dimensions

Dimensional drawing	
Width	39 mm
Height	16 mm
Length	51.7 mm
Center distance	21 mm

### Material specifications

Flammability rating according to UL 94	HB
Seal material	NBR
Material of grip body	TPU, hardly inflammable, self-extinguishing
Contact material	CuZn
Contact surface material	Ni/Au
Contact carrier material	TPU GF
Material for screw connection	Zinc die-cast, nickel-plated

1419946

<https://www.phoenixcontact.com/us/products/1419946>

## Connector

### Connection 1

Type	Socket straight M12 SPEEDCON
Locking type	SPEEDCON
Coding type	A

### Connection 2

Type	Plug straight M12 SPEEDCON
Locking type	SPEEDCON
Coding type	A

### Connection 3

Type	Plug straight M12 SPEEDCON
Locking type	SPEEDCON
Coding type	A

## Mechanical properties

### Mechanical data

Insertion/withdrawal cycles	≥ 100
-----------------------------	-------

## Environmental and real-life conditions

### Ambient conditions

Degree of protection	IP65
	IP67
Ambient temperature (operation)	-25 °C ... 90 °C (Plug / socket)

## Standards and regulations

Standard designation	M12 connector
Standards/specifications	IEC 61076-2-101

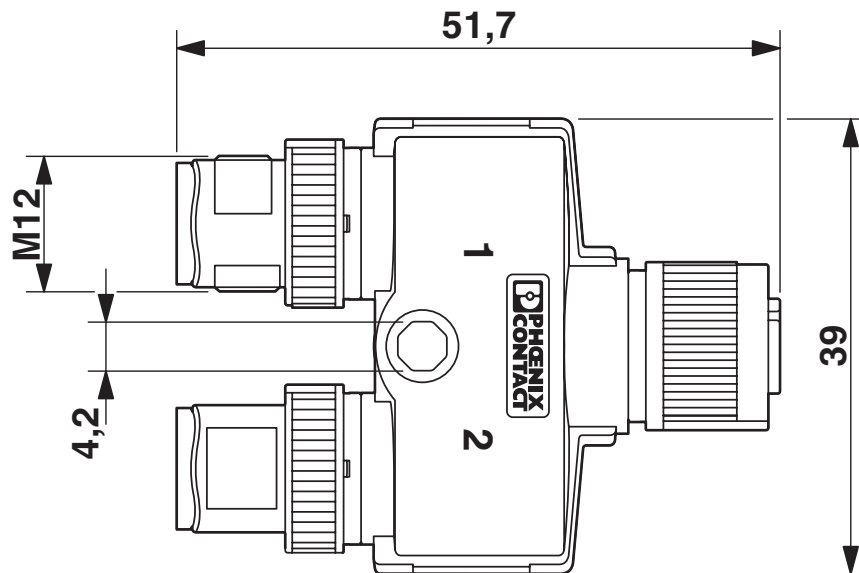
# SAC-5PY-F/2XM VP SH - Y distributor

1419946

<https://www.phoenixcontact.com/us/products/1419946>

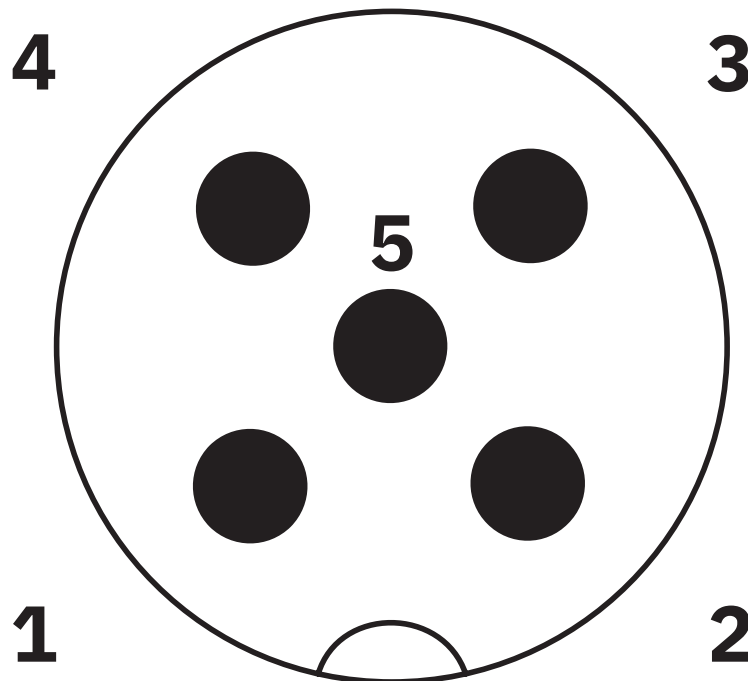
## Drawings

Dimensional drawing



M12 Y distributor

Schematic diagram



Pin assignment M12 male connector, 5-pos.

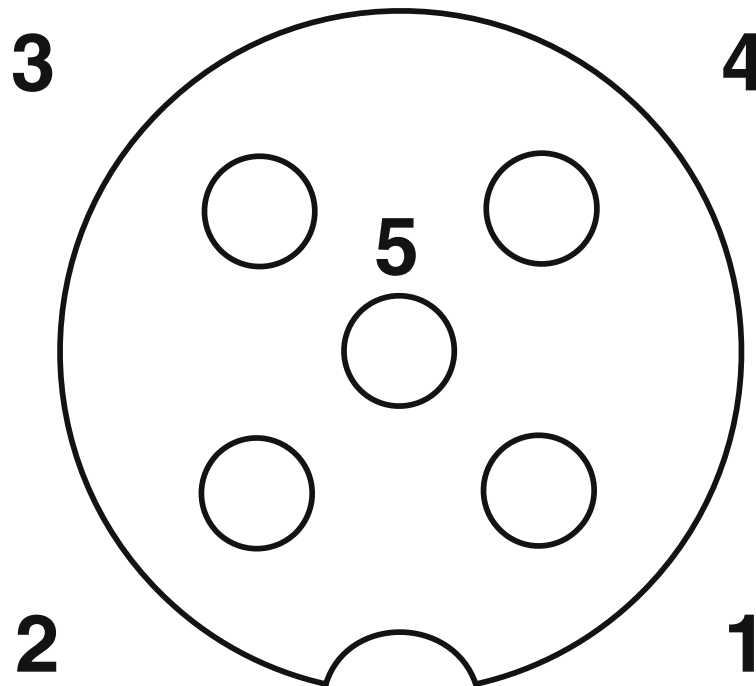
# SAC-5PY-F/2XM VP SH - Y distributor

1419946

<https://www.phoenixcontact.com/us/products/1419946>

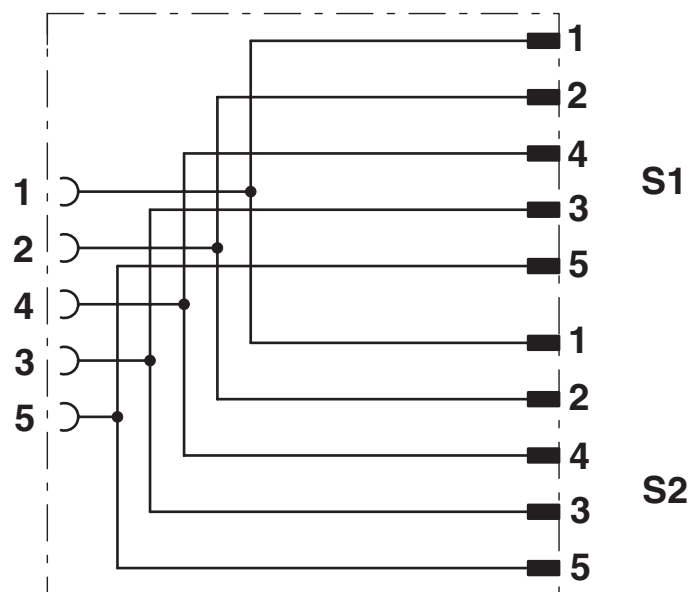


Schematic diagram



Pin assignment of M12 socket, 5-pos.

Circuit diagram



# SAC-5PY-F/2XM VP SH - Y distributor



1419946

<https://www.phoenixcontact.com/us/products/1419946>

## Classifications

### ECLASS

ECLASS-11.0	27440106
ECLASS-12.0	27440106
ECLASS-13.0	27440106

### ETIM

ETIM 9.0	EC002925
----------	----------

### UNSPSC

UNSPSC 21.0	31251500
-------------	----------

# SAC-5PY-F/2XM VP SH - Y distributor



1419946

<https://www.phoenixcontact.com/us/products/1419946>

## Environmental product compliance

### EU RoHS

Fulfills EU RoHS substance requirements	Yes, No exemptions
---	--------------------

### China RoHS

Environment friendly use period (EFUP)	EFUP-E
	No hazardous substances above the limits

### EU REACH SVHC

REACH candidate substance (CAS No.)	No substance above 0.1 wt%
-------------------------------------	----------------------------

# SAC-5PY-F/2XM VP SH - Y distributor



1419946

<https://www.phoenixcontact.com/us/products/1419946>

## Accessories

### PROT-M12 SH - Screw plug

1503302

<https://www.phoenixcontact.com/us/products/1503302>



An M12 screw plug for the unoccupied M12 sockets of the shielded sensor/actuator cable, boxes and flush-type connectors

---

### PROT-M12 FS-M - Sealing cap

1430488

<https://www.phoenixcontact.com/us/products/1430488>



M12 metal sealing cap for unoccupied M12 plugs of the sensor/actuator cable, flush-type plugs and I/O devices in the field



# SAC-5PY-F/2XM VP SH - Y distributor



1419946

<https://www.phoenixcontact.com/us/products/1419946>

## PROT-M12 MS-PA-CHAIN - Screw plug

1430899

<https://www.phoenixcontact.com/us/products/1430899>

M12 sealing cap with fixing band, for sensor cables, for free M12 sockets



---

## PROT-M12 FS-PA-CHAIN - Sealing cap

1430873

<https://www.phoenixcontact.com/us/products/1430873>

M12 sealing cap made of plastic with fixing band, for sensor cables, for free M12 plugs



# SAC-5PY-F/2XM VP SH - Y distributor



1419946

<https://www.phoenixcontact.com/us/products/1419946>

## TSD 04 SAC - Torque screwdriver

1208429

<https://www.phoenixcontact.com/us/products/1208429>



Torque screwdriver, with preset torque of 0.4 Nm and 4 mm hexagonal drive for M12 connectors

---

## SAC BIT M12-D15 - Tool

1208432

<https://www.phoenixcontact.com/us/products/1208432>



Nut for assembling sensor/actuator cables with M12 connector and M12 connectors for assembly, with a knurl diameter of 15 mm, for 4 mm hexagonal drive

---

Phoenix Contact 2024 © - all rights reserved  
<https://www.phoenixcontact.com>

Phoenix Contact USA  
586 Fulling Mill Road  
Middletown, PA 17057, United States  
(+717) 944-1300  
[info@phoenixcon.com](mailto:info@phoenixcon.com)