

DFLK-D25 SUB/F/FKCT - Interface module



2903067

<https://www.phoenixcontact.com/us/products/2903067>

Please be informed that the data shown in this PDF document is generated from our online catalog. Please find the complete data in the user documentation. Our general terms of use for downloads are valid.



The VARIOFACE feed-through module implements a 1:1 connection between plug-in push-in spring-cage connection terminal blocks and a D-SUB miniature female strip (number of positions: 25). A separate ground pick-off is available.

Commercial data

Item number	2903067
Packing unit	1 pc
Minimum order quantity	1 pc
Sales key	C422
Product key	CK2225
Catalog page	Page 590 (C-7-2015)
GTIN	4046356709460
Weight per piece (including packing)	112.367 g
Weight per piece (excluding packing)	112.367 g
Customs tariff number	85366990
Country of origin	DE

Technical data

Product properties

Product type	Interface module
Product family	VARIOFACE
Number of positions	25

Insulation characteristics

Insulation	Functional insulation
------------	-----------------------

Insulation characteristics: Air clearances and creepage distances

Insulation	Functional insulation
Overvoltage category	II
Pollution degree	2

Electrical properties

Operating voltage (AC)	≤ 30 V AC
Operating voltage (DC)	≤ 60 V DC
Current (per branch)	≤ 2.5 A
Current (Total current)	≤ 50 A (50 °C)

Air clearances and creepage distances

Rated insulation voltage	125 V
Rated surge voltage	1.2 kV (1.2/50 μs)

Connection data

Connection 1 (control level)

Connection in acc. with standard	IEC 60807-2
Connection method	D-SUB socket strip
Screw thread	UNC 4-40
Number of connections	1
Number of positions	25
Insertion/withdrawal cycles	> 500
Pitch	2.77 mm

Connection 2 (field level)

Connection method	Push-in spring connection
Stripping length	10 mm
Number of positions	26
Conductor cross section rigid	0.2 mm ² ... 2.5 mm ²
Conductor cross section flexible	0.2 mm ² ... 2.5 mm ²
Conductor cross section AWG	24 ... 12

Signaling

Status display present	No
------------------------	----

DFLK-D25 SUB/F/FKCT - Interface module



2903067

<https://www.phoenixcontact.com/us/products/2903067>

Dimensions

Item dimensions

Width	38 mm
Height	83.4 mm
Depth	46 mm

Material specifications

Color	gray (RAL 7042)
Housing insulation material	Polyamide PA non-reinforced

Environmental and real-life conditions

Ambient conditions

Degree of protection (Module)	IP20
Degree of protection (Installation location)	≥ IP54
Ambient temperature (operation)	-20 °C ... 50 °C
Ambient temperature (storage/transport)	-20 °C ... 70 °C
Altitude	≤ 2000 m

Approvals

UKCA

Certificate	UKCA-compliant
-------------	----------------

Standards and regulations

Air clearances and creepage distances

Standards/regulations	EN IEC 60664-1
-----------------------	----------------

Mounting

Mounting type	Rear mounting
Mounting position	any

Notes

General	For proper use, the specifications of the installation directive (see Downloads) must be observed. For applications or use with third-party products, the specifications, and the safety and warning instructions of the respective third-party manufacturer must also be met.
---------	--

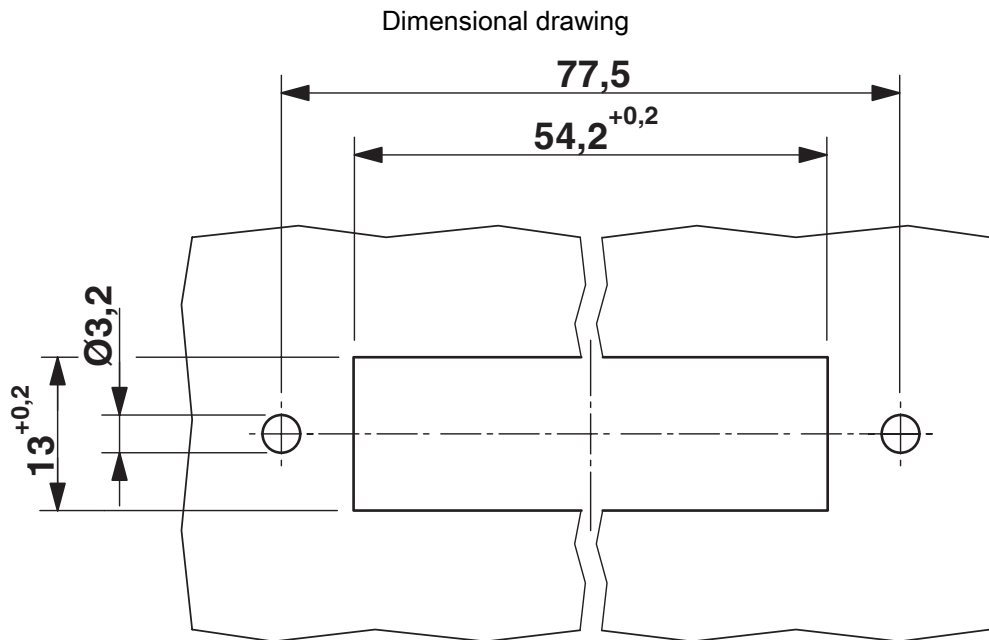
DFLK-D25 SUB/F/FKCT - Interface module



2903067

<https://www.phoenixcontact.com/us/products/2903067>

Drawings



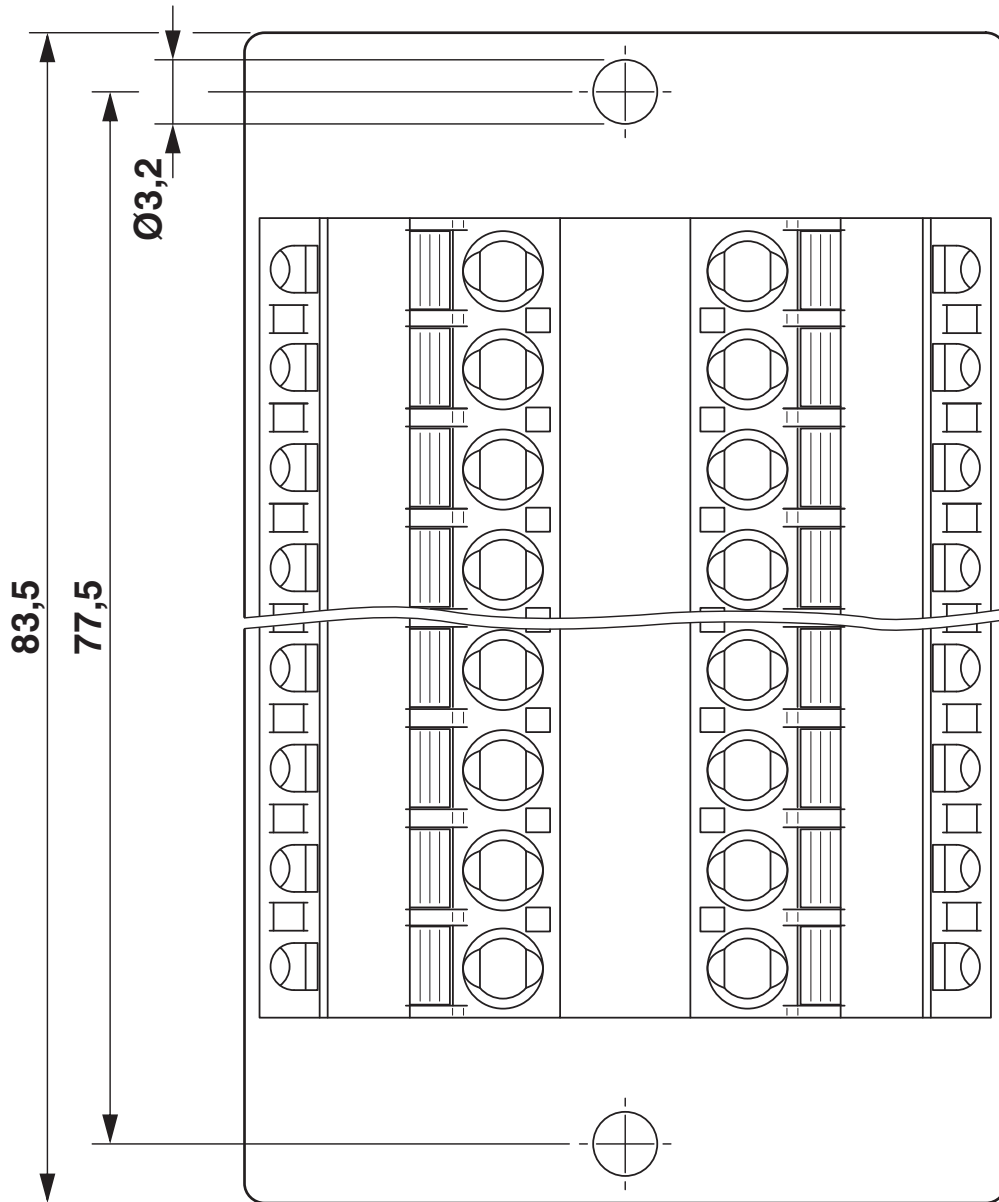
DFLK-D25 SUB/F/FKCT - Interface module



2903067

<https://www.phoenixcontact.com/us/products/2903067>

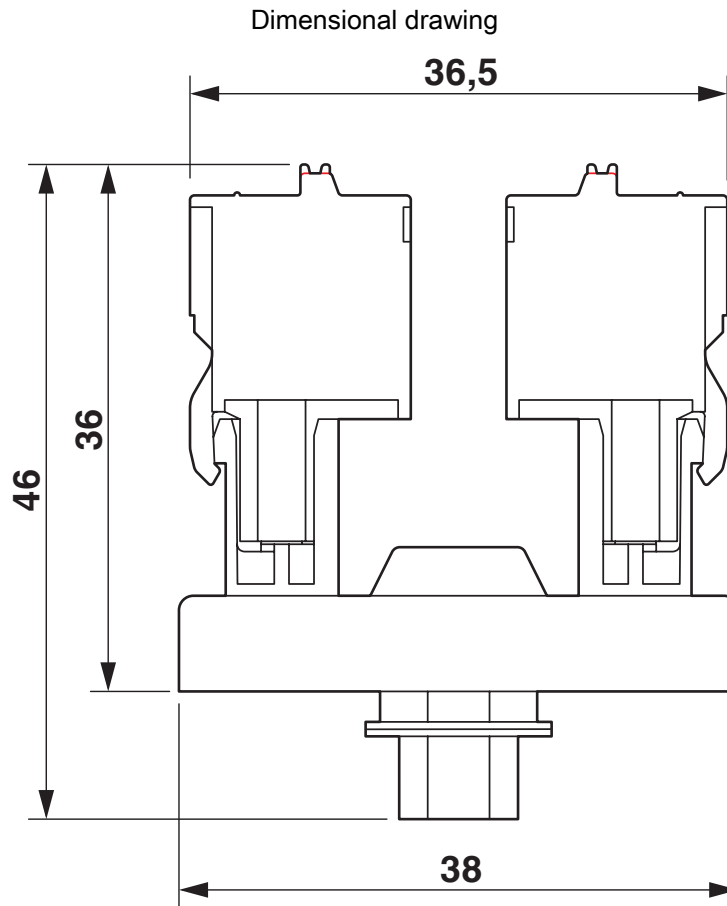
Dimensional drawing



DFLK-D25 SUB/F/FKCT - Interface module

2903067

<https://www.phoenixcontact.com/us/products/2903067>



DFLK-D25 SUB/F/FKCT - Interface module





2903067

<https://www.phoenixcontact.com/us/products/2903067>

Approvals

To download certificates, visit the product detail page: <https://www.phoenixcontact.com/us/products/2903067>

 cUL Recognized Approval ID: FILE E 238705				
	Nominal voltage U_N	Nominal current I_N	Cross section AWG	Cross section mm^2
	125 V	1 A	30 - 12	-

 UL Recognized Approval ID: FILE E 238705				
	Nominal voltage U_N	Nominal current I_N	Cross section AWG	Cross section mm^2
	125 V	1 A	30 - 12	-

cULus Recognized				
-------------------------	--	--	--	--

DFLK-D25 SUB/F/FKCT - Interface module



2903067

<https://www.phoenixcontact.com/us/products/2903067>

Classifications

ECLASS

ECLASS-11.0	27141152
ECLASS-12.0	27141152
ECLASS-13.0	27141152

ETIM

ETIM 9.0	EC002780
----------	----------

UNSPSC

UNSPSC 21.0	39121400
-------------	----------

DFLK-D25 SUB/F/FKCT - Interface module



2903067

<https://www.phoenixcontact.com/us/products/2903067>

Environmental product compliance

EU RoHS

Fulfills EU RoHS substance requirements	Yes, No exemptions
---	--------------------

China RoHS

Environment friendly use period (EFUP)	EFUP-E
	No hazardous substances above the limits

EU REACH SVHC

REACH candidate substance (CAS No.)	No substance above 0.1 wt%
-------------------------------------	----------------------------

DFLK-D25 SUB/F/FKCT - Interface module



2903067

<https://www.phoenixcontact.com/us/products/2903067>

Accessories

CABLE D-SUB-S/.../.../... - Cable

2302340

<https://www.phoenixcontact.com/us/products/2302340>



Shielded round cable, assembled with one D-SUB female and pin strip (9-, 15-, 25-, 37-, or 50-pos.), variable cable length

CABLE D-SUB-S-S-S/.../.../... - Cable

2302434

<https://www.phoenixcontact.com/us/products/2302434>



Shielded round cable, assembled with two D-SUB pin strips (9-, 15-, 25-, 37-, or 50-pos.), variable cable length

DFLK-D25 SUB/F/FKCT - Interface module



2903067

<https://www.phoenixcontact.com/us/products/2903067>

CABLE-D25SUB/B/S/ 50/KONFEK/S - Cable

2302120

<https://www.phoenixcontact.com/us/products/2302120>



Assembled shielded round cable; connection 1: D-SUB socket strip (1x 25-position); connection 2: D-SUB pin strip (1x 25-position); cable length: 0.5 m

CABLE-D25SUB/B/S/100/KONFEK/S - Cable

2302133

<https://www.phoenixcontact.com/us/products/2302133>



Assembled shielded round cable; connection 1: D-SUB socket strip (1x 25-position); connection 2: D-SUB pin strip (1x 25-position); cable length: 1 m

DFLK-D25 SUB/F/FKCT - Interface module



2903067

<https://www.phoenixcontact.com/us/products/2903067>

CABLE-D25SUB/B/S/150/KONFEK/S - Cable

2302146

<https://www.phoenixcontact.com/us/products/2302146>



Assembled shielded round cable; connection 1: D-SUB socket strip (1x 25-position); connection 2: D-SUB pin strip (1x 25-position); cable length: 1.5 m

CABLE-D25SUB/B/S/200/KONFEK/S - Cable

2302159

<https://www.phoenixcontact.com/us/products/2302159>



Assembled shielded round cable; connection 1: D-SUB socket strip (1x 25-position); connection 2: D-SUB pin strip (1x 25-position); cable length: 2 m

DFLK-D25 SUB/F/FKCT - Interface module



2903067

<https://www.phoenixcontact.com/us/products/2903067>

CABLE-D25SUB/B/S/300/KONFEK/S - Cable

2302162

<https://www.phoenixcontact.com/us/products/2302162>



Assembled shielded round cable; connection 1: D-SUB socket strip (1x 25-position); connection 2: D-SUB pin strip (1x 25-position); cable length: 3 m

CABLE-D25SUB/B/S/400/KONFEK/S - Cable

2302175

<https://www.phoenixcontact.com/us/products/2302175>



Assembled shielded round cable; connection 1: D-SUB socket strip (1x 25-position); connection 2: D-SUB pin strip (1x 25-position); cable length: 4 m

DFLK-D25 SUB/F/FKCT - Interface module



2903067

<https://www.phoenixcontact.com/us/products/2903067>

CABLE-D25SUB/B/S/600/KONFEK/S - Cable

2302188

<https://www.phoenixcontact.com/us/products/2302188>



Assembled shielded round cable; connection 1: D-SUB socket strip (1x 25-position); connection 2: D-SUB pin strip (1x 25-position); cable length: 6 m

CABLE-D25SUB/B/S/HF/S/ 1,0M - Cable

1066665

<https://www.phoenixcontact.com/us/products/1066665>



Assembled, shielded, halogen-free round cable; connection 1: D-SUB socket strip (1x 25-position); connection 2: D-SUB pin strip (1x 25-position); cable length: 1 m

DFLK-D25 SUB/F/FKCT - Interface module



2903067

<https://www.phoenixcontact.com/us/products/2903067>

CABLE-D25SUB/B/S/HF/S/ 2,0M - Cable

1066666

<https://www.phoenixcontact.com/us/products/1066666>



Assembled, shielded, halogen-free round cable; connection 1: D-SUB socket strip (1x 25-position); connection 2: D-SUB pin strip (1x 25-position); cable length: 2 m

CABLE-D25SUB/B/S/HF/S/ 3,0M - Cable

1066667

<https://www.phoenixcontact.com/us/products/1066667>



Assembled, shielded, halogen-free round cable; connection 1: D-SUB socket strip (1x 25-position); connection 2: D-SUB pin strip (1x 25-position); cable length: 3 m

DFLK-D25 SUB/F/FKCT - Interface module



2903067

<https://www.phoenixcontact.com/us/products/2903067>

CABLE-D25SUB-B-S-HF-S/... - Cable

1075559

<https://www.phoenixcontact.com/us/products/1075559>



Assembled, shielded, halogen-free round cable; connection 1: D-SUB socket strip (1x 25-position); connection 2: D-SUB pin strip (1x 25-position); cable length: variable

CABLE-D-25SUB/M/OE/0,25/S/0,5M - Cable

2926506

<https://www.phoenixcontact.com/us/products/2926506>



Assembled shielded round cable; connection 1: Single wires (25-position) (The wires are marked and fitted with ferrules. The braided shield is routed to a separate cable end.); connection 2: D-SUB pin strip (1x 25-position); cable length: 0.5 m

DFLK-D25 SUB/F/FKCT - Interface module



2903067

<https://www.phoenixcontact.com/us/products/2903067>

CABLE-D-25SUB/M/OE/0,25/S/1,0M - Cable

2926519

<https://www.phoenixcontact.com/us/products/2926519>



Assembled shielded round cable; connection 1: Single wires (25-position) (The wires are marked and fitted with ferrules. The braided shield is routed to a separate cable end.); connection 2: D-SUB pin strip (1x 25-position); cable length: 1 m

CABLE-D-25SUB/M/OE/0,25/S/1,5M - Cable

2926522

<https://www.phoenixcontact.com/us/products/2926522>



Assembled shielded round cable; connection 1: Single wires (25-position) (The wires are marked and fitted with ferrules. The braided shield is routed to a separate cable end.); connection 2: D-SUB pin strip (1x 25-position); cable length: 1.5 m

DFLK-D25 SUB/F/FKCT - Interface module



2903067

<https://www.phoenixcontact.com/us/products/2903067>

CABLE-D-25SUB/M/OE/0,25/S/2,0M - Cable

2926535

<https://www.phoenixcontact.com/us/products/2926535>



Assembled shielded round cable; connection 1: Single wires (25-position) (The wires are marked and fitted with ferrules. The braided shield is routed to a separate cable end.); connection 2: D-SUB pin strip (1x 25-position); cable length: 2 m

CABLE-D-25SUB/M/OE/0,25/S/3,0M - Cable

2926548

<https://www.phoenixcontact.com/us/products/2926548>



Assembled shielded round cable; connection 1: Single wires (25-position) (The wires are marked and fitted with ferrules. The braided shield is routed to a separate cable end.); connection 2: D-SUB pin strip (1x 25-position); cable length: 3 m

DFLK-D25 SUB/F/FKCT - Interface module



2903067

<https://www.phoenixcontact.com/us/products/2903067>

CABLE-D-25SUB/M/OE/0,25/S/4,0M - Cable

2926551

<https://www.phoenixcontact.com/us/products/2926551>



Assembled shielded round cable; connection 1: Single wires (25-position) (The wires are marked and fitted with ferrules. The braided shield is routed to a separate cable end.); connection 2: D-SUB pin strip (1x 25-position); cable length: 4 m

CABLE-D-25SUB/M/OE/0,25/S/6,0M - Cable

2926564

<https://www.phoenixcontact.com/us/products/2926564>



Assembled shielded round cable; connection 1: Single wires (25-position) (The wires are marked and fitted with ferrules. The braided shield is routed to a separate cable end.); connection 2: D-SUB pin strip (1x 25-position); cable length: 6 m

DFLK-D25 SUB/F/FKCT - Interface module



2903067

<https://www.phoenixcontact.com/us/products/2903067>

CABLE-D-25SUB-M-OE-0,25-S/... - Cable

2900911

<https://www.phoenixcontact.com/us/products/2900911>



Assembled shielded round cable; connection 1: Single wires (25-position) (The wires are marked and fitted with ferrules. The braided shield is routed to a separate cable end.); connection 2: D-SUB pin strip (1x 25-position); cable length: variable

Phoenix Contact 2024 © - all rights reserved

<https://www.phoenixcontact.com>

Phoenix Contact USA
586 Fulling Mill Road
Middletown, PA 17057, United States
(+717) 944-1300
info@phoenixcon.com