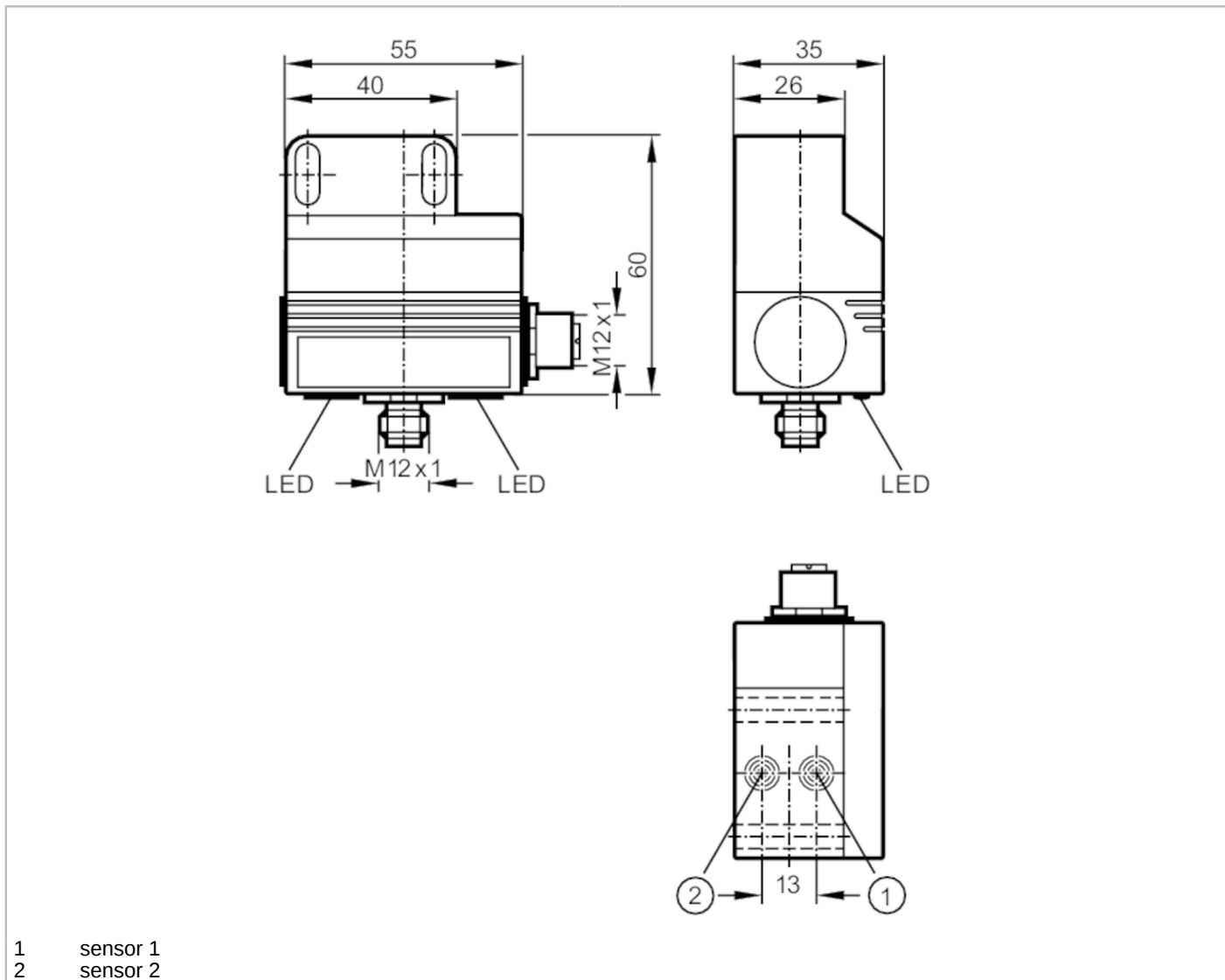


AC2316



AS-Interface dual sensor for pneumatic valve actuators

DUAL SENSOR T5 2SI 1DO T M12



Product characteristics		
Electrical design		AS-i
Sensing range	[mm]	4
Dimensions	[mm]	55 x 60 x 35
Electrical data		
Operating voltage	[V]	26.5...31.6 DC; ("supply class 2" to cULus)
Current consumption	[mA]	< 160
Outputs		
Electrical design		AS-i
Permanent current rating of switching output DC	[mA]	100
Detection zone		
Sensing range	[mm]	4

AC2316



AS-Interface dual sensor for pneumatic valve actuators

DUAL SENSOR T5 2SI 1DO T M12

Operating conditions

Ambient temperature	[°C]	-20...70
Protection		IP 67

Tests / approvals

EMC		EN 50295	
		EN 61000-6-2	
MTTF	[years]	310	

AS-i classification

AS-i version		2.1
Extended addressing mode		yes
AS-i I/O configuration	[hex]	7
AS-i ID code	[hex]	A.E
AS-i certificate		75002

Mechanical data

Weight	[g]	179
Mounting		non-flush mountable
Dimensions	[mm]	55 x 60 x 35
Materials		PBT

Displays / operating elements

Display	switching status	2 x LED, yellow
---------	------------------	-----------------

Accessories

Items supplied	Reinforcement bracket
	socket head screws: 2 x M5 x 35
	washers: 2

Remarks

Pack quantity	1 pcs.
---------------	--------

Electrical connection

Electrical connection - plug

Connector: 1 x M12; coding: A; Locking: stainless steel (303/1.4305)



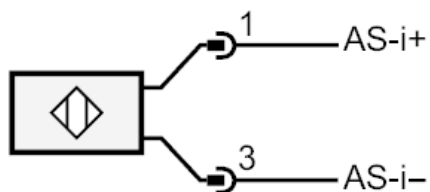
AC2316



AS-Interface dual sensor for pneumatic valve actuators

DUAL SENSOR T5 2SI 1DO T M12

Connection

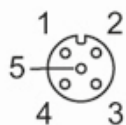


Electrical connection

1	AS-i +
3	AS-i -

Electrical connection - socket

Connector: 1 x M12; coding: A; Locking: stainless steel (303/1.4305)



Outputs

3	external voltage -
4	switching output 1 +