

Datasheet

USB DRIVE

3ME series

- High performance with USB 3.0 interface
- Low power consumption
- Wear-Leveling supported
- ECC engine with correction capability up to 60-bit/1024-Byte
- Metal housing to enhance ESD protection
- 30 μ golden finger for highly reliable data transfer quality



Introduction

The Innodisk USB Drive products provide high capacity USB flash memory storage that electrically complies with High-speed USB3.0 interface & backward compatible with USB 1.1 and 2.0. The device features attractive small form factor and the connectivity over USB3.0 and the NAND flash architecture provide a faster data transmission.

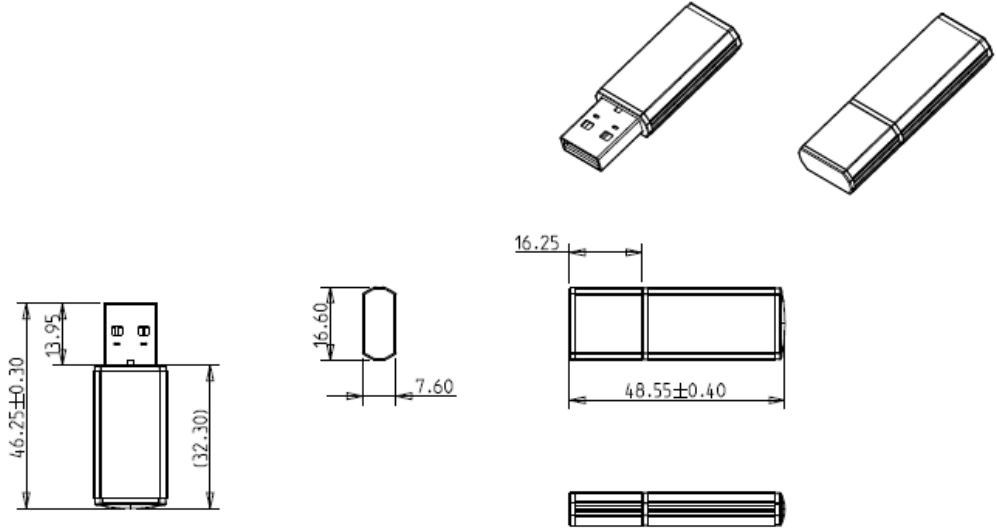
USB DRIVE

3ME series

Contact us for more information about the USB DRIVE 3ME.

Innodisk is a service-driven provider of industrial embedded flash storage products and technologies, with a focus on the cloud computing, industrial/embedded, and aerospace and defense industries.

Diagram



Headquarters (Taiwan)

5F., No.237, Sec. 1, Datong Rd.,
Xizhi Dist., New Taipei City,
Taiwan (R.O.C.)
Tel: +886-2-26963000
Email: sales@innodisk.com

Branch Offices:

USA
usasales@innodisk.com
+1-510-770-9421
Europe
eusales@innodisk.com
+31-(0)40-282-1818
Japan
jpsales@innodisk.com
+81-3-6661-9846
China
sales_cn@innodisk.com
+86-755-21673689
www.innodisk.com

© 2021 Innodisk Corporation.
All right reserved. Specifications
are subject to change without
prior notice.

20211215

Specifications

Interface	USB 3.0
Flash Type	MLC
P/E cycle	3,000
Capacity	4GB~32GB
Max. Channels	1
Sequential R/W (MB/sec, max.)	100 / 50
Max. Power Consumption	0.70 W (5V x 140 mA)
Thermal Sensor	-
External DRAM buffer	-
H/W Write Protect	-
ATA Security	-
S.M.A.R.T.	√
Dimension (WxLxH)	16.60 X 48.55 X 7.60 mm
Environment	Vibration: 20G @7~2000Hz Shock: 1500G @ 0.5ms Storage Temperature: -40°C ~ +85°C MTBF: 3 million hours

Ordering Information

Operation Temp.	4GB	8GB	16GB	32GB
Standard Grade (0°C ~ +70°C)	DEUA1-04GI61SC1SC	DEUA1-08GI61SC1SC	DEUA1-16GI61SC1SC	DEUA1-32GI61SC1SC
Industrial Grade (-40°C ~ +85°C)	DEUA1-04GI61SW1SC	DEUA1-08GI61SW1SC	DEUA1-16GI61SW1SC	DEUA1-32GI61SW1SC