

# PRC 5-HEAD-MS6-2 - Contact carrier



1070199

<https://www.phoenixcontact.com/us/products/1070199>

Please be informed that the data shown in this PDF document is generated from our online catalog. Please find the complete data in the user documentation. Our general terms of use for downloads are valid.



Contact carrier, Range of articles: PRC 35, housing material: PPE, color: black, number of positions: 5, min. conductor cross section: 1.5 mm<sup>2</sup>, max. conductor cross section: 6 mm<sup>2</sup>, rated voltage: 690 V AC, rated current: 35 A, Connection method: Screw connection, Contact connection type: Pin, Contact insert without connector housing. Please order the appropriate connector housings according to the accessories list.

## Your advantages

- Versatile interfaces with straight and angled connector housings
- Universal accommodation of existing connector heads with screw connection technology
- Modular system for optimized storage
- Locking mechanism can be unlocked manually or using a tool
- Ideal for indoor and outdoor use due to weatherproof materials

## Commercial data

Item number	1070199
Packing unit	1 pc
Minimum order quantity	1 pc
Sales key	AB03
Product key	ABLCBA
GTIN	4055626748160
Weight per piece (including packing)	52.4 g
Weight per piece (excluding packing)	50 g
Customs tariff number	85366990
Country of origin	PL

## Technical data

### Notes

General	Contact insert without connector housing. Please order the appropriate connector housings according to the accessories list.
General	For assembly notes, please refer to the packing slip

### Safety note

Safety note	<ul style="list-style-type: none"> <li>• <b>WARNING:</b> Commission properly functioning products only. The products must be regularly inspected for damage. Decommission defective products immediately. Replace damaged products. Repairs are not possible.</li> <li>• <b>WARNING:</b> Only electrically qualified personnel may install and operate the product. They must observe the following safety notes. The qualified personnel must be familiar with the basics of electrical engineering. They must be able to recognize and prevent danger. The relevant symbol on the packaging indicates that only personnel familiar with electrical engineering are allowed to install and operate the product.</li> </ul> <p><b>WARNING:</b> The connectors may not be plugged in or disconnected under load. Ignoring the warning or improper use may damage persons and/or property.</p> <ul style="list-style-type: none"> <li>• Assembled products may not be manipulated or improperly opened.</li> <li>• Only use mating connectors that are specified in the technical data of the standards listed (e.g. the ones listed in the product accessories online at <a href="https://www.phoenixcontact.com/products">phoenixcontact.com/products</a>).</li> <li>• When using the product in direct connection with third-party manufacturers, the user is responsible.</li> <li>• For operating voltages &gt; 50 V AC, conductive connector housings must be grounded</li> <li>• Ensure that the protective or functional ground has been properly connected.</li> <li>• VDE 0100/1.97 § 411.1.3.2 and DIN EN 60 204/11.98 § 14.1.3 are applicable when combining several circuits in a cable and/or connector</li> <li>• Observe the corresponding technical data. You will find information:             <ul style="list-style-type: none"> <li>o On the product</li> <li>o On the packing label</li> <li>o In the supplied documentation</li> <li>o Online at <a href="https://www.phoenixcontact.com/products">phoenixcontact.com/products</a> under the product</li> </ul> </li> <li>• Only use tools recommended by Phoenix Contact</li> <li>• The installation notes/Design In documents online on the download page at <a href="https://www.phoenixcontact.com/products">phoenixcontact.com/products</a> must be observed for this product.</li> <li>• Use a protective cap to protect connectors that are not in use. The suitable accessories are available online in the accessory section of the product at <a href="https://www.phoenixcontact.com/products">phoenixcontact.com/products</a></li> <li>• Operate the connector only when it is fully plugged in.</li> <li>• Operate the connector only when it is fully plugged in and interlocked.</li> </ul>
-------------	---------------------------------------------------------------------------------------------------------------------------------------------------------------------------------------------------------------------------------------------------------------------------------------------------------------------------------------------------------------------------------------------------------------------------------------------------------------------------------------------------------------------------------------------------------------------------------------------------------------------------------------------------------------------------------------------------------------------------------------------------------------------------------------------------------------------------------------------------------------------------------------------------------------------------------------------------------------------------------------------------------------------------------------------------------------------------------------------------------------------------------------------------------------------------------------------------------------------------------------------------------------------------------------------------------------------------------------------------------------------------------------------------------------------------------------------------------------------------------------------------------------------------------------------------------------------------------------------------------------------------------------------------------------------------------------------------------------------------------------------------------------------------------------------------------------------------------------------------------------------------------------------------------------------------------------------------------------------------------------------------------------------------------------------------------------------------------------------------------------------------------------------------------------------------------------------------------------------------------------------------------------------------------------------------------------------------------------------------------------------------------------------------------------------------------------------------------------------------------------------------------------------------------------------------------------------------------------------------------------------------------------------------------------------------------------------------------------------------------------------------------------------------------

# PRC 5-HEAD-MS6-2 - Contact carrier



1070199

<https://www.phoenixcontact.com/us/products/1070199>

	<ul style="list-style-type: none"><li>• Ensure that when laying the cable, the tensile load on the connectors does not exceed the upper limit specified in the standards.</li></ul>
	<ul style="list-style-type: none"><li>• Observe the minimum bending radius of the cable. Lay the cable without twisting it.</li></ul>
	<ul style="list-style-type: none"><li>• The connector warms up in normal operation. Depending on the ambient conditions, the surface of the connector can continue to warm up. In this case, the user is responsible for posting warnings (e.g. DIN EN ISO 13732-1:2008-12).</li></ul>

## Product properties

Product type	Contact insert
Product family	PRC 35
Number of positions	5
Connection profile	4+PE
Coding	AD

## Insulation characteristics

Protection class	II
Degree of pollution	2

## Electrical properties

Rated voltage (III/2)	690 V
Nominal voltage ATD	690 V AC (III/2.00) in accordance with IEC 61984
	600 V AC (III/2.00)
	500 V DC (III/2.00) in accordance with IEC 61535, when mounted
Rated surge voltage (III/2)	8 kV
Rated current	35 A (With 6 mm <sup>2</sup> conductor cross section in accordance with IEC 61984)
	32 A (With 6 mm <sup>2</sup> conductor cross section in accordance with IEC 61535)
	21.4 A (With 6 mm <sup>2</sup> conductor cross section and 85 °C in accordance with 2 PfG 1915)
	35 A (with AWG 10, in accordance with UL 2237)

## Connection data

Connection method	Screw connection
Tightening torque	... 1 Nm
Conductor cross section flexible	4 mm <sup>2</sup> ... 6 mm <sup>2</sup>
Conductor cross section rigid	1.5 mm <sup>2</sup> ... 6 mm <sup>2</sup>

## Dimensions

Width	35.9 mm
Height	34.5 mm
Length	48.4 mm

## Material specifications

# PRC 5-HEAD-MS6-2 - Contact carrier



1070199

<https://www.phoenixcontact.com/us/products/1070199>

Color	black
Color of the housing part	black
Material	EPDM PPE CuZn
Flammability rating according to UL 94	V0
Insulating material group	I / CTI 600
Seal material	EPDM
Housing material	PPE
Contact material	Cu alloy
Contact surface material	silver-plated
Contact carrier material	PPE
O-ring material	EPDM

## Cable/line

Single wire, cross section	1.5 mm <sup>2</sup> 6 mm <sup>2</sup>
Stripping length of the individual wire	12 mm (Lay PE conductor 8 mm leading)
Halogen-free	yes

## Mechanical properties

### Mechanical data

Insertion/withdrawal cycles	2000 (Test specification: IEC 60512-13-2)
-----------------------------	-------------------------------------------

## Environmental and real-life conditions

### Ambient conditions

Degree of protection	IP66 / IP68 (2m / 24h) / IP69K (when mounted) IP66 / IP68 (2m / 24h) / IP69K
Ambient temperature (operation)	-40 °C ... 105 °C (dependent on the derating curve)
Ambient temperature (storage/transport)	-40 °C ... 70 °C
Ambient temperature (assembly)	-5 °C ... 85 °C

# PRC 5-HEAD-MS6-2 - Contact carrier

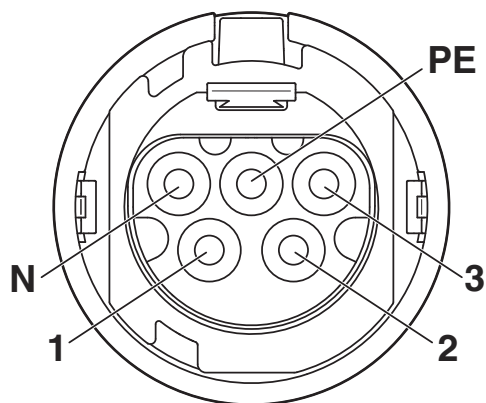
1070199

<https://www.phoenixcontact.com/us/products/1070199>



## Drawings

Schematic diagram



Connector pin assignment

# PRC 5-HEAD-MS6-2 - Contact carrier



1070199

<https://www.phoenixcontact.com/us/products/1070199>

## Approvals

To download certificates, visit the product detail page: <https://www.phoenixcontact.com/us/products/1070199>



**cUL Recognized**  
Approval ID: E468743-20200116



**UL Recognized**  
Approval ID: E468743-20200116



**VDE Zeichengenehmigung**  
Approval ID: 40054231

	Nominal voltage $U_N$	Nominal current $I_N$	Cross section AWG	Cross section $\text{mm}^2$
	690 V	35 A	-	-



**VDE Zeichengenehmigung**  
Approval ID: 40054228

	Nominal voltage $U_N$	Nominal current $I_N$	Cross section AWG	Cross section $\text{mm}^2$
	500 V	32 A	-	-

**cULus Recognized**

# PRC 5-HEAD-MS6-2 - Contact carrier



1070199

<https://www.phoenixcontact.com/us/products/1070199>

## Classifications

### ECLASS

ECLASS-11.0	27440109
ECLASS-12.0	27440109
ECLASS-13.0	27440109

### ETIM

ETIM 9.0	EC003569
----------	----------

### UNSPSC

UNSPSC 21.0	39121400
-------------	----------

# PRC 5-HEAD-MS6-2 - Contact carrier



1070199

<https://www.phoenixcontact.com/us/products/1070199>

## Environmental product compliance

### EU RoHS

Fulfills EU RoHS substance requirements	Yes, No exemptions
-----------------------------------------	--------------------

### China RoHS

Environment friendly use period (EFUP)	EFUP-E
	No hazardous substances above the limits

### EU REACH SVHC

REACH candidate substance (CAS No.)	No substance above 0.1 wt%
-------------------------------------	----------------------------



# PRC 5-HEAD-MS6-2 - Contact carrier

1070199

<https://www.phoenixcontact.com/us/products/1070199>



## Mandatory accessories

### PRC FT25-0-HSG - Device connector front mounting

1065795

<https://www.phoenixcontact.com/us/products/1065795>



Device connector front mounting, Range of articles: PRC 35, housing material: PPE, color: black, rated voltage: 690 V AC, Connector housing without contact insert. Please order the appropriate contact inserts according to the accessories list

---

### PRC FC-45/90-HSG 8-21 - Connector housing

1065798

<https://www.phoenixcontact.com/us/products/1065798>



Connector housing, Range of articles: PRC 35, housing material: PPE, color: black, rated voltage: 690 V AC, min. cable diameter: 8 mm, max. cable diameter: 21 mm, Connector housing without contact insert. Please order the appropriate contact inserts according to the accessories list

# PRC 5-HEAD-MS6-2 - Contact carrier

1070199

<https://www.phoenixcontact.com/us/products/1070199>



## PRC FT25-45/90-HSG - Device connector front mounting

1065796

<https://www.phoenixcontact.com/us/products/1065796>



Device connector front mounting, Range of articles: PRC 35, housing material: PPE, color: black, rated voltage: 690 V AC, Connector housing without contact insert. Please order the appropriate contact inserts according to the accessories list

---

## Accessories

### PRC COVER M - Protective cap

1409237

<https://www.phoenixcontact.com/us/products/1409237>



Protective cap, Range of articles: PRC 35, housing material: PPE, color: black, rated voltage: 1000, Suitable for connectors (MS)

# PRC 5-HEAD-MS6-2 - Contact carrier

1070199

<https://www.phoenixcontact.com/us/products/1070199>



## SZF 1-0,6X3,5 - Screwdriver

1204517

<https://www.phoenixcontact.com/us/products/1204517>



Actuation tool, for ST terminal blocks, also suitable for use as a bladed screwdriver, size: 0.6 x 3.5 x 100 mm, 2-component grip, with non-slip grip

---

## SF-PH 1-80 S-VDE - Screwdriver

1212693

<https://www.phoenixcontact.com/us/products/1212693>



1000 V AC /  
1500 V DC

Screwdriver, crosshead PH (lasered), insulated, size: PH 1 x 80, 2-component handle, with non-slip grip

# PRC 5-HEAD-MS6-2 - Contact carrier

1070199

<https://www.phoenixcontact.com/us/products/1070199>

## PRC FC-M CODE-BU - Color coding

1014455

<https://www.phoenixcontact.com/us/products/1014455>



Color coding, Range of articles: PRC 35, housing material: PA 6.6-FR, color: blue, NOTE: For indoor use only

---

## PRC FC-M CODE-GY - Color coding

1014457

<https://www.phoenixcontact.com/us/products/1014457>



Color coding, Range of articles: PRC 35, housing material: PA 6.6-FR, color: gray, NOTE: For indoor use only

# PRC 5-HEAD-MS6-2 - Contact carrier

1070199

<https://www.phoenixcontact.com/us/products/1070199>

## PRC FC-M CODE-GN - Color coding

1014456

<https://www.phoenixcontact.com/us/products/1014456>



Color coding, Range of articles: PRC 35, housing material: PA 6.6-FR, color: green, NOTE: For indoor use only

---

## PRC FC-M CODE-BK - Color coding

1014496

<https://www.phoenixcontact.com/us/products/1014496>



Color coding, Range of articles: PRC 35, housing material: PA 6.6-FR, color: black, NOTE: For indoor use only

# PRC 5-HEAD-MS6-2 - Contact carrier

1070199

<https://www.phoenixcontact.com/us/products/1070199>



## PRC FC-M CODE-RD - Color coding

1125097

<https://www.phoenixcontact.com/us/products/1125097>



Color coding, Range of articles: PRC 35, housing material: PA 6.6-FR, color: red,  
NOTE: For indoor use only

---

## PRC FC-M CODE-YE - Color coding

1125058

<https://www.phoenixcontact.com/us/products/1125058>



Color coding, Range of articles: PRC 35, housing material: PA 6.6-FR, color:  
yellow, NOTE: For indoor use only

---

Phoenix Contact 2024 © - all rights reserved  
<https://www.phoenixcontact.com>

Phoenix Contact USA  
586 Fulling Mill Road  
Middletown, PA 17057, United States  
(+717) 944-1300  
[info@phoenixcon.com](mailto:info@phoenixcon.com)