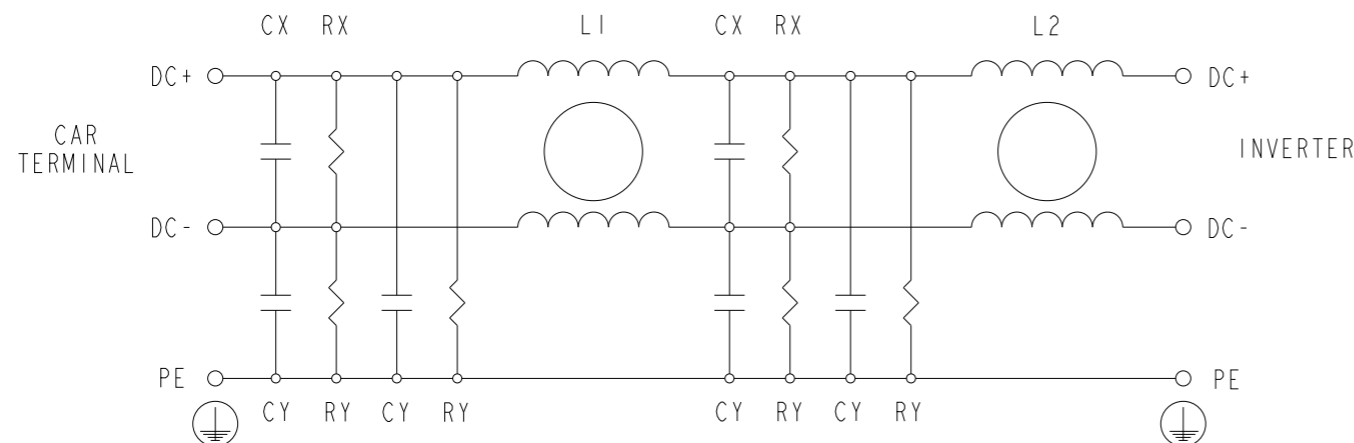


P	LTR	DESCRIPTION	DATE	DWN	APVD
	A	RELEASE TO PRODUCTION	04MAY2023	DM	CB



TYPICAL CIRCUIT DIAGRAM

SAFETY ORGANIZATIONS

THIS FILTER WILL BE FORMALLY RECOGNIZED, CERTIFIED OR APPROVED BY THE LISTED AGENCY. THEREFORE, ALL TEST/REQUIREMENTS SPECIFIED IN THE LATEST REVISION OF THE FOLLOWING AGENCY STANDARDS WILL BE MET:

UL RECOGNIZED AS PER
UL 60939-3 AND CSA22.2 No 8 1000A / 500VDC / 55°C

OPERATING SPECIFICATION

LINE CURRENT/VOLTAGE: 1000A, 500VDC

OVERLOAD CAPABILITY: 135% RATED CURRENT FOR 15 MINUTES

OPERATING AMBIENT TEMPERATURE RANGE @ RATED CURRENT: -40°C TO +55°C

IN AN AMBIENT, T_a, HIGHER THAN 55°C, THE MAXIMUM OPERATING CURRENT, I_o, IS AS FOLLOWS:

$$I_o = I_r \sqrt{\frac{85 - T_a}{55}}$$

RELIABILITY SPECIFICATIONS

STORAGE TEMPERATURE: -40°C TO +100°C
HUMIDITY: 21 DAYS @ 40°C AND 95% RH

TEST SPECIFICATIONS

INDUCTANCE, NOMINAL: 0.039mH

CAPACITANCE @ 1kHz, 0.250VAC MAX, 25°C +/-1°C
LINE TO GROUND, NOMINAL: 100nF +/-20%
LINE TO LINE, NOMINAL: 6.6µF +/-20%

DISCHARGE RESISTOR

LINE TO GROUND: 3.3MΩ 2W
LINE TO LINE : 5.0MΩ 2W
IR (NO DISCHARGE RESISTOR) 20°C, 50% RH AND 100VDC, MIN: 6GΩ

HIPOT RATING (ONE MINUTE)

LINE TO GROUND: 2500 VDC FOR 2 SECONDS
LINE TO LINE: 2000 VDC FOR 2 SECONDS

FILTER APPROVAL

THE BEST WAY TO SELECT AND QUALIFY A FILTER IS FOR YOUR ENGINEERING TO TEST THE UNIT IN YOUR EQUIPMENT.

TYPICAL INSERTION LOSS
COMMON MODE 50/50Ω; DIFFERENTIAL MODE 50/50Ω

1000 EVX A B									
FREQUENCY (MHz)	0.01	0.05	0.15	0.5	1	3	5	10	30
COMMON MODE	0	2	9	24	35	27	23	19	12
DIFFERENTIAL MODE	25	38	46	42	36	22	32	26	27

THIS DRAWING IS A CONTROLLED DOCUMENT.

DIMENSIONS: mm	TOLERANCES UNLESS OTHERWISE SPECIFIED:
	0 PLC ±-
	1 PLC ±0.1
	2 PLC ±0.01
	3 PLC ±0.001
	4 PLC ±0.0001
	ANGLES ±-
MATERIAL	FINISH
-	-
-	-

DWN	C. BOLLE	10 JAN 2023
CHK	L. RAJ	25 APR 2023
APVD	L. RAJ	25 APR 2023
PRODUCT SPEC	-	-
APPLICATION SPEC	-	-
WEIGHT	-	-
CUSTOMER DRAWING		



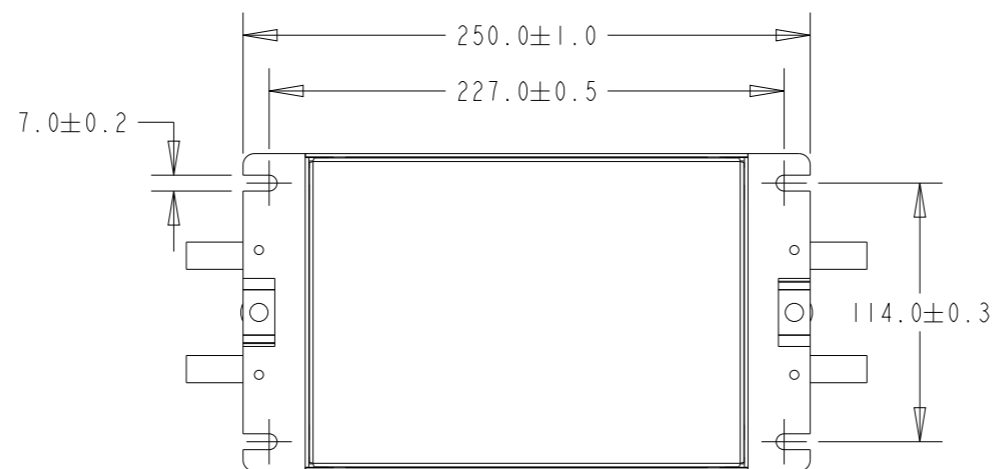
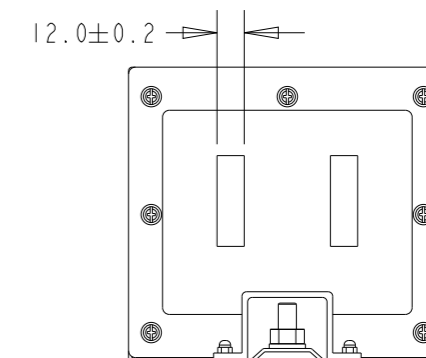
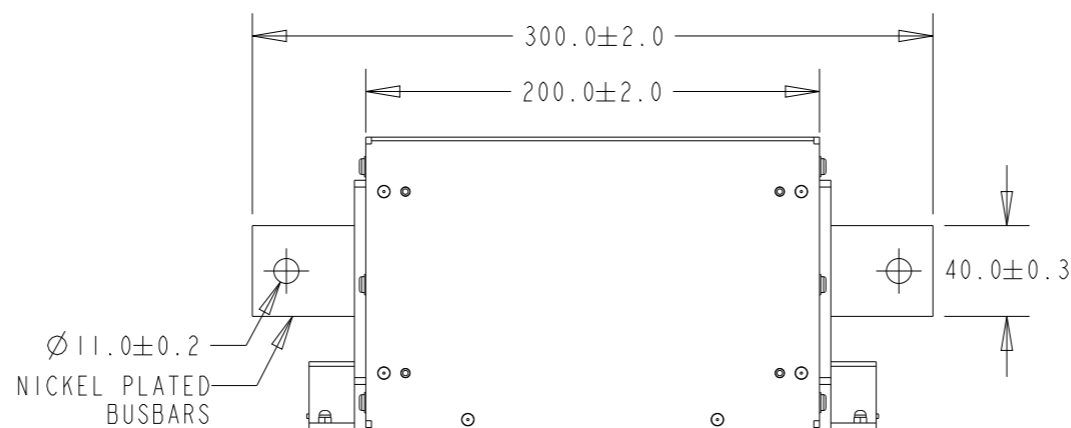
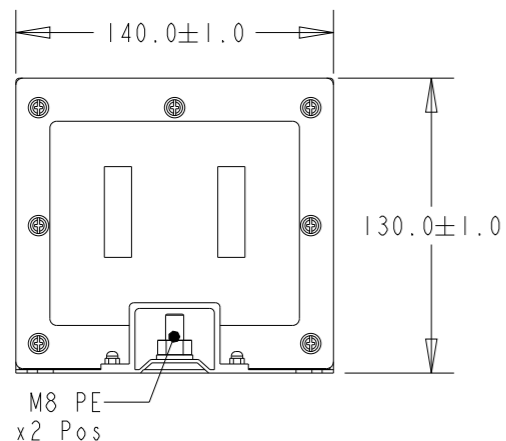
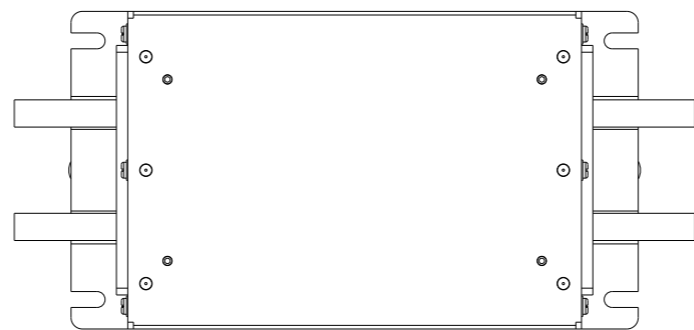
NAME
1000 EVX A B
HIGH CURRENT DC EMI FILTER
500V 1000A

SIZE	CAGE CODE	DRAWING NO	RESTRICTED TO
A3	00779	1-2443552-8	-
SCALE		SHEET	REV
1:6		1 OF 2	A

TE PN	CATALOG NO.	Y CAPACITANCE (nF)
1-2443552-8	1000 EVX A B	100

REVISIONS


P	LTR	DESCRIPTION	DATE	DWN	APVD
		SEE SHEET 1			



NOTE 1 GROUND CONNECTIONS:
M8 GROUND NUTS TYP. TORQUE (Nm): 7
REMOVE PLASTIC COVER. MAKE CONNECTION. REPLACE PLASTIC COVER.

NOTE 2 INPUT OUTPUT CONNECTION BUSBAR:
CONNECTION METHOD: SCREW CONNECTION M11 FASTENER.

THE ABOVE DATA IS FOR GUIDANCE/REFERENCE ONLY.

THIS DRAWING IS A CONTROLLED DOCUMENT.		DWN C. BOLLE	10 JAN 2023	 TE Connectivity	
DIMENSIONS: mm		CHK L. RAJ	25 APR 2023		
TOLERANCES UNLESS OTHERWISE SPECIFIED:		APVD L. RAJ	25 APR 2023	NAME 1000 EVX A B HIGH CURRENT DC EMI FILTER 500V 1000A	
0 PLC ±- 1 PLC ±0.1 2 PLC ±0.01 3 PLC ±0.001 4 PLC ±0.0001 ANGLES ±-		PRODUCT SPEC -		APPLICATION SPEC -	
MATERIAL -		WEIGHT -		SIZE A3	CAGE CODE 00779
FINISH -		CUSTOMER DRAWING		DRAWING NO C-1-2443552-8	
		SCALE 1:6		SHEET 2 OF 2	REV A