

ME 22,5 UT/FE BUS/ 5 GN - Mounting base housing



2908744

<https://www.phoenixcontact.com/us/products/2908744>

Please be informed that the data shown in this PDF document is generated from our online catalog. Please find the complete data in the user documentation. Our general terms of use for downloads are valid.



DIN rail housing, Lower housing part with metal foot catch, with FE contact, tall design, with vents, width: 22.6 mm, height: 99 mm, depth: 107.3 mm, cross connection: integrated bus connector, number of positions cross connector: 5, Bus connector: 5 parallel contacts

Your advantages

- Tool-free mounting
- Available in overall widths from 12.5 mm to 90 mm, modular extension possible
- Flammability rating V0 in accordance with UL 94
- Variety of connection technology
- Can be mounted on the DIN rail
- With integrated or DIN-rail-mountable bus connector as an option

Commercial data

Item number	2908744
Packing unit	10 pc
Minimum order quantity	10 pc
Sales key	AC08
Product key	ACHAAB
Catalog page	Page 663 (C-1-2013)
GTIN	4017918160647
Weight per piece (including packing)	51.98 g
Weight per piece (excluding packing)	36.816 g
Customs tariff number	85369010
Country of origin	DE

ME 22,5 UT/FE BUS/ 5 GN - Mounting base housing



2908744

<https://www.phoenixcontact.com/us/products/2908744>

Technical data

Notes

General	Refer to the data sheet for the range in the download area.
General	Material of contact pads for bus connector, galvanic gold (hard gold)

Product properties

Product type	Enclosure bottom part
Housing type	DIN rail housing
Housing series	ME
Product family	ME 22,5..
Type	Lower housing parts with vents, housing cover necessary to complete the module
Type	Lower housing part with metal foot catch, with FE contact, tall design
Ventilation openings present	yes

Electrical properties

Nominal current I_N	8 A (parallel contacts)
Degree of pollution	3
Rated voltage (III/3)	63 V
Rated surge voltage (III/3)	1.5 kV
Rated voltage (III/2)	150 V
Rated surge voltage (III/2)	2.5 kV
Rated voltage (II/2)	300 V
Rated surge voltage (II/2)	2.5 kV

Dimensions

Dimensional drawing	
Width [w]	22.6 mm
Height [h]	99 mm

PCB design

PCB thickness	1.4 mm ... 1.8 mm
---------------	-------------------

Material specifications

ME 22,5 UT/FE BUS/ 5 GN - Mounting base housing



2908744

<https://www.phoenixcontact.com/us/products/2908744>

Material data - contact

Contact material	Cu alloy
Surface characteristics	gold-plated

Material data - housing

Color (Housing)	green (6021)
Insulating material	PA
Insulating material group	I
CTI according to IEC 60112	600
Flammability rating according to UL 94	V0

Connector

Connection 1

Insulating material	PA
CTI according to IEC 60112	600

Electrical tests

Air clearances and creepage distances |

Specification	IEC 60664-1:2007-04
Insulating material group	I
Rated insulation voltage (III/3)	63 V
Rated surge voltage (III/3)	1.5 kV
minimum clearance value - non-homogenous field (III/3)	0.8 mm
minimum creepage distance (III/3)	1.6 mm
Rated insulation voltage (III/2)	150 V
Rated surge voltage (III/2)	2.5 kV
minimum clearance value - non-homogenous field (III/2)	1.5 mm
minimum creepage distance (III/2)	0.8 mm
Rated insulation voltage (II/2)	300 V
Rated surge voltage (II/2)	2.5 kV
minimum clearance value - non-homogenous field (II/2)	1.5 mm
minimum creepage distance (II/2)	1.5 mm

Mechanical properties

Mechanical data

Open side panel	Yes
-----------------	-----

Environmental and real-life conditions

Ambient conditions

Max. IP code to attain	IP20
Ambient temperature (operation)	-40 °C ... 105 °C (dependent on the derating curve)
Ambient temperature (storage/transport)	-40 °C ... 55 °C

ME 22,5 UT/FE BUS/ 5 GN - Mounting base housing



2908744

<https://www.phoenixcontact.com/us/products/2908744>

Relative humidity (storage/transport)	30 % ... 70 %
Ambient temperature (assembly)	-5 °C ... 100 °C
Relative humidity (storage/transport)	80 %

PCB data

Number of PCB holders	1
Type of PCB mount	Insertion (optional latching by PCB stop)
Thickness of the PCB	1.4 mm ... 1.8 mm

Mounting

Mounting type	DIN rail mounting
Mounting position	Vertical (horizontal DIN rail)

Packaging specifications

Type of packaging	packed in cardboard
Outer packaging type	Carton

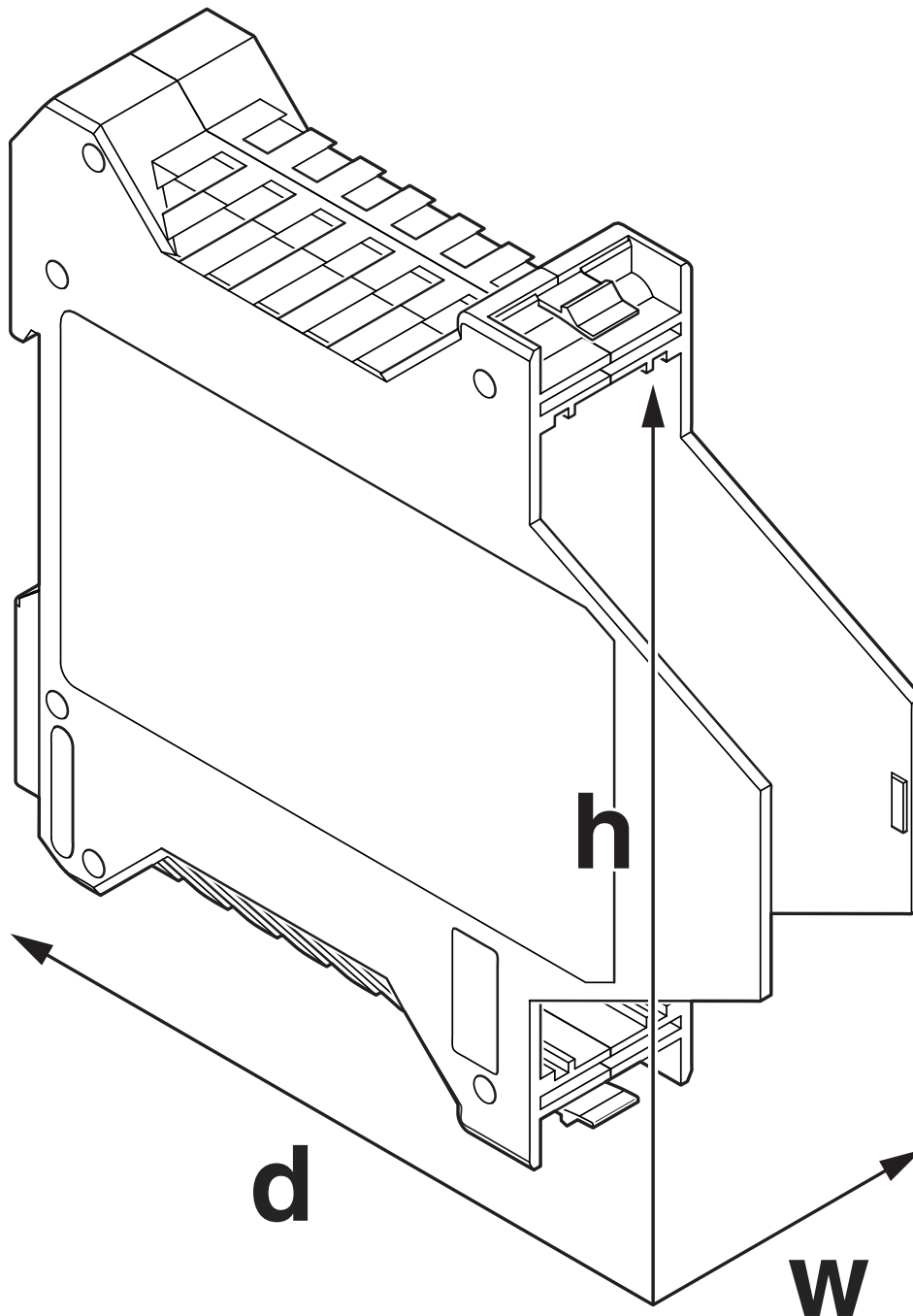
ME 22,5 UT/FE BUS/ 5 GN - Mounting base housing

2908744

<https://www.phoenixcontact.com/us/products/2908744>

Drawings

Dimensional drawing



Schematic figure for illustrating the item dimensions. The figure is not of the desired product. For further details, refer to the product drawings in the "Downloads" tab.

ME 22,5 UT/FE BUS/ 5 GN - Mounting base housing





2908744

<https://www.phoenixcontact.com/us/products/2908744>

Approvals

To download certificates, visit the product detail page: <https://www.phoenixcontact.com/us/products/2908744>

 cUL Recognized Approval ID: FILE E 60425				
	Nominal voltage U_N	Nominal current I_N	Cross section AWG	Cross section mm^2
Use group B				
	300 V	8 A	-	-
Use group D				
	300 V	8 A	-	-

 UL Recognized Approval ID: FILE E 60425				
	Nominal voltage U_N	Nominal current I_N	Cross section AWG	Cross section mm^2
Use group B				
	300 V	8 A	-	-
Use group D				
	300 V	8 A	-	-

cULus Recognized				
-------------------------	--	--	--	--

ME 22,5 UT/FE BUS/ 5 GN - Mounting base housing



2908744

<https://www.phoenixcontact.com/us/products/2908744>

Classifications

ECLASS

ECLASS-11.0	27182702
ECLASS-13.0	27190601

ETIM

ETIM 9.0	EC001031
----------	----------

UNSPSC

UNSPSC 21.0	31261500
-------------	----------

ME 22,5 UT/FE BUS/ 5 GN - Mounting base housing



2908744

<https://www.phoenixcontact.com/us/products/2908744>

Environmental product compliance

EU RoHS

Fulfills EU RoHS substance requirements	Yes, No exemptions
---	--------------------

China RoHS

Environment friendly use period (EFUP)	EFUP-E
	No hazardous substances above the limits

EU REACH SVHC

REACH candidate substance (CAS No.)	No substance above 0.1 wt%
-------------------------------------	----------------------------

ME 22,5 UT/FE BUS/ 5 GN - Mounting base housing



2908744

<https://www.phoenixcontact.com/us/products/2908744>

Mandatory accessories

ME 22,5 OT-1MSTBO GN - Upper housing part

2709558

<https://www.phoenixcontact.com/us/products/2709558>

DIN rail housing, Upper housing part for connectors with header, width: 22.6 mm, height: 99 mm, depth: 45.85 mm, color: green (similar RAL 6021)



ME 22,5 OT-MSTBO GN - Upper housing part

2907169

<https://www.phoenixcontact.com/us/products/2907169>

DIN rail housing, Upper housing part for connectors with header, width: 22.6 mm, height: 99 mm, depth: 45.85 mm, color: green (similar RAL 6021)



ME 22,5 UT/FE BUS/ 5 GN - Mounting base housing

2908744

<https://www.phoenixcontact.com/us/products/2908744>

ME 22,5 OT-MKDSO GN - Upper housing part

2907172

<https://www.phoenixcontact.com/us/products/2907172>



DIN rail housing, Upper housing part for PCB terminal blocks with screw connection, width: 22.6 mm, height: 99 mm, depth: 45.85 mm, color: green (similar RAL 6021)

ME 22,5 OTU-MKDSO GN - Upper housing part

2278966

<https://www.phoenixcontact.com/us/products/2278966>



DIN rail housing, Upper housing part for PCB terminal blocks with screw connection, width: 22.6 mm, height: 99 mm, depth: 45.85 mm, color: green (similar RAL 6021)

ME 22,5 UT/FE BUS/ 5 GN - Mounting base housing



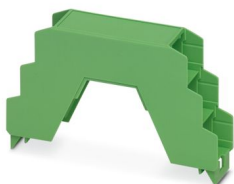
2908744

<https://www.phoenixcontact.com/us/products/2908744>

ME 22,5 OT-3MSTBO GN - Upper housing part

2735962

<https://www.phoenixcontact.com/us/products/2735962>



DIN rail housing, Upper housing part for connectors with header, width: 22.6 mm, height: 102 mm, depth: 60.15 mm, color: green (similar RAL 6021)

Accessories

ME B-KA - Cover

2854173

<https://www.phoenixcontact.com/us/products/2854173>



Terminal cover, 1 strip covers up to 12 terminal points, for ME-BUS terminal opening, (male side)

ME 22,5 UT/FE BUS/ 5 GN - Mounting base housing

2908744

<https://www.phoenixcontact.com/us/products/2908744>

ME DH27 NS 35 - Spacer

2908760

<https://www.phoenixcontact.com/us/products/2908760>

Spacer, for protecting the input and output contacts for NS 35 DIN rails

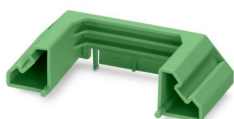


ME DH36 NS 35 - Spacer

2909895

<https://www.phoenixcontact.com/us/products/2909895>

Spacers, for protection of the input or output contacts for DIN rail NS 35, width [B] 36 mm



ME 22,5 UT/FE BUS/ 5 GN - Mounting base housing



2908744

<https://www.phoenixcontact.com/us/products/2908744>

ME B-SA/NS 35 - Cover

2935959

<https://www.phoenixcontact.com/us/products/2935959>

Terminal cover, 1 strip covers up to 12 terminal points, for ME-BUS male side, (female side)



MC 1,5/ 5-ST-3,81 AU - PCB connector

1860883

<https://www.phoenixcontact.com/us/products/1860883>

PCB connector, nominal cross section: 1.5 mm², color: green, nominal current: 8 A, rated voltage (III/2): 160 V, contact surface: Gold, contact connection type: Socket, number of potentials: 5, number of rows: 1, number of positions: 5, number of connections: 5, product range: MC 1,5/...-ST, pitch: 3.81 mm, connection method: Screw connection with tension sleeve, screw head form: L Slotted, conductor/PCB connection direction: 0 °, pin layout: Linear three-way pinning, plug-in system: COMBICON MC 1,5, locking: without, mounting: without, type of packaging: packed in cardboard



ME 22,5 UT/FE BUS/ 5 GN - Mounting base housing

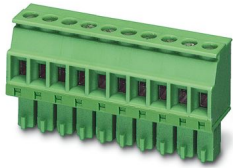
2908744

<https://www.phoenixcontact.com/us/products/2908744>

MCVR 1,5/ 5-ST-3,81 AU - PCB connector

1893203

<https://www.phoenixcontact.com/us/products/1893203>



PCB connector, nominal cross section: 1.5 mm², color: green, nominal current: 8 A, rated voltage (III/2): 160 V, contact surface: Gold, contact connection type: Socket, number of potentials: 5, number of rows: 1, number of positions: 5, number of connections: 5, product range: MCVR 1,5/...-ST, pitch: 3.81 mm, connection method: Screw connection with tension sleeve, screw head form: L Slotted, conductor/PCB connection direction: 90 °, plug-in system: COMBICON MC 1,5, locking: without, mounting: without, type of packaging: packed in cardboard

IMC 1,5/ 2-ST-3,81 AU - Printed-circuit board connector

1943263

<https://www.phoenixcontact.com/us/products/1943263>



PCB connector, nominal cross section: 1.5 mm², color: green, nominal current: 8 A, rated voltage (III/2): 160 V, contact surface: Gold, contact connection type: Pin, number of potentials: 2, number of rows: 1, number of positions: 2, number of connections: 2, product range: IMC 1,5/...-ST, pitch: 3.81 mm, connection method: Screw connection with tension sleeve, screw head form: L Slotted, conductor/PCB connection direction: 0 °, plug-in system: COMBICON MC 1,5, locking: without, mounting: without, type of packaging: packed in cardboard

ME 22,5 UT/FE BUS/ 5 GN - Mounting base housing



2908744

<https://www.phoenixcontact.com/us/products/2908744>

ME LPZS - PCB stop

2906911

<https://www.phoenixcontact.com/us/products/2906911>



DIN rail housing, after approx. 4 cm, the ME LPZS PCB pull-out stop prevents the PCB from being removed completely and locks the PCB in place

EML (44X64)R-ME - Label for ME ... UT ... BUS ... housing

0828266

<https://www.phoenixcontact.com/us/products/0828266>



Label for ME ... UT ... BUS ... housing, Roll, white, unlabeled, can be labeled with: THERMOMARK ROLLMASTER 300/600, THERMOMARK X1.2, THERMOMARK ROLL X1, THERMOMARK ROLL 2.0, THERMOMARK ROLL, mounting type: adhesive, lettering field size: 44 x 64 mm, Number of individual labels: 200

Phoenix Contact 2024 © - all rights reserved
<https://www.phoenixcontact.com>

Phoenix Contact USA
586 Fulling Mill Road
Middletown, PA 17057, United States
(+717) 944-1300
info@phoenixcon.com