

## Flat suction cup (round)

SUF 25 NBR-ESD-55 G1/8-IG

Part no...:10.01.01.14128

<https://www.schmalz.com/10.01.01.14128>

Home > Vacuum Technology for Automation > Vacuum Components > Vacuum Suction Cups > Flat Suction Cups (Round) > Flat Suction Cups SUF > SUF 25 NBR-ESD-55 G1/8-IG

### Flat suction cup (round) for process safe handling of smooth or slightly rough surfaces



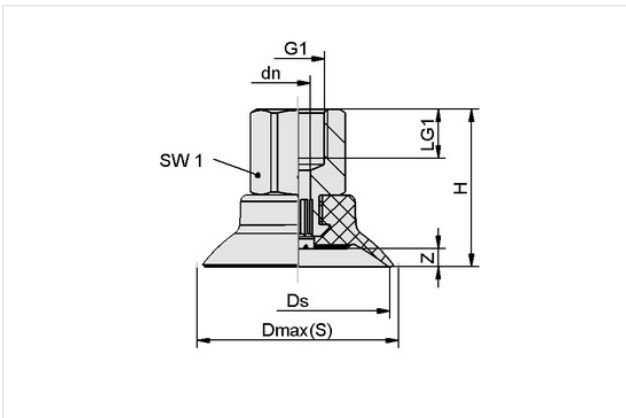
Size: 25

Suction cup material: Nitrile rubber NBR-ESD

Material hardness [Shore A]: 55 Shore A

Vacuum connection: G1/8"-F

### Design Data



Attribute	Value
Dmax(S)	28.20 mm
Ds	25 mm
dn	4.10 mm
G1	G1/8"-F
H	25.20 mm
LG1	8 mm
SW1	14 mm
Z (Stroke)	2.50 mm

### Technical Data

Attribute	Value
Suction force (-600mbar)	23 N
Pull-off force	23 N
Volume	0.90 cm <sup>3</sup>
Curve radius (min) (convex)	25 mm
Hose diameter (rec.) d	4 mm
Size	25
Suction cup material	Nitrile rubber NBR-ESD
Material hardness [Shore A]	55 Shore A

### Contact Schmalz

Schmalz Inc. | 5850 Oak Forest Drive, Raleigh, NC 27616, United States | +1 (919) 713-0880 | [schmalz.us@schmalz.com](mailto:schmalz.us@schmalz.com)

## Flat suction cup (round)

SUF 25 NBR-ESD-55 G1/8-IG

Part no...:10.01.01.14128

<https://www.schmalz.com/10.01.01.14128>

Weight	10.50 g
Product family	SUF
Number of folds	0

Note: Suction force: The specified suction forces are theoretical values at a vacuum of -0.6 bar and with a dry, smooth and flat workpiece surface - they do not include a safety factor  
Hose diameter: The recommended hose diameter refers to a hose length of approx. 2 m

### Spare parts



#### SC 040 G1/8-IG

Part no...:10.01.06.02482

Connection geometry: 040

Connection: G1/8"-F

Length L1: 20.7 mm

Fitting length: 14 mm

Nominal diameter dn: 4.1 mm



#### SUF 25 NBR-ESD-55 SC040

Part no...:10.01.01.14038

Size: 25

Suction cup material: Nitrile rubber NBR-ESD

Material hardness [Shore A]: 55 Shore A