

TTC-EX-PP - Separating plate

1011977

<https://www.phoenixcontact.com/us/products/1011977>

Please be informed that the data shown in this PDF document is generated from our online catalog. Please find the complete data in the user documentation. Our general terms of use for downloads are valid.

Partition plate for NS-35/7,5 DIN rails to ensure a clearance of 50 mm between the remote signaling module and surge protection in TTC-EX systems.



Commercial data

Item number	1011977
Packing unit	10 pc
Minimum order quantity	10 pc
Sales key	CL23
Product key	CL226Z
Catalog page	Page 152 (C-4-2019)
GTIN	4055626487120
Weight per piece (including packing)	28.52 g
Weight per piece (excluding packing)	28.09 g
Customs tariff number	39219055
Country of origin	DE

TTC-EX-PP - Separating plate

1011977

<https://www.phoenixcontact.com/us/products/1011977>

Technical data

Product properties

Product type	Partition plate
--------------	-----------------

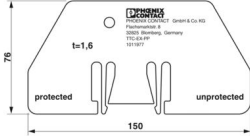
Mounting

Mounting type	DIN rail: TH 35 - 7.5 mm
---------------	--------------------------

Material specifications

Color	blue (RAL 5015)
Flammability rating according to UL 94	V-0
Housing material	FR 4-21

Dimensions

Dimensional drawing	
Width	1.6 mm
Height	150 mm
Depth	76 mm

Environmental and real-life conditions

Ambient conditions

Ambient temperature (operation)	-40 °C ... 85 °C
Ambient temperature (storage/transport)	-40 °C ... 85 °C
Altitude	≤ 2000 m (amsl)
Permissible humidity (operation)	5 % ... 95 %

TTC-EX-PP - Separating plate

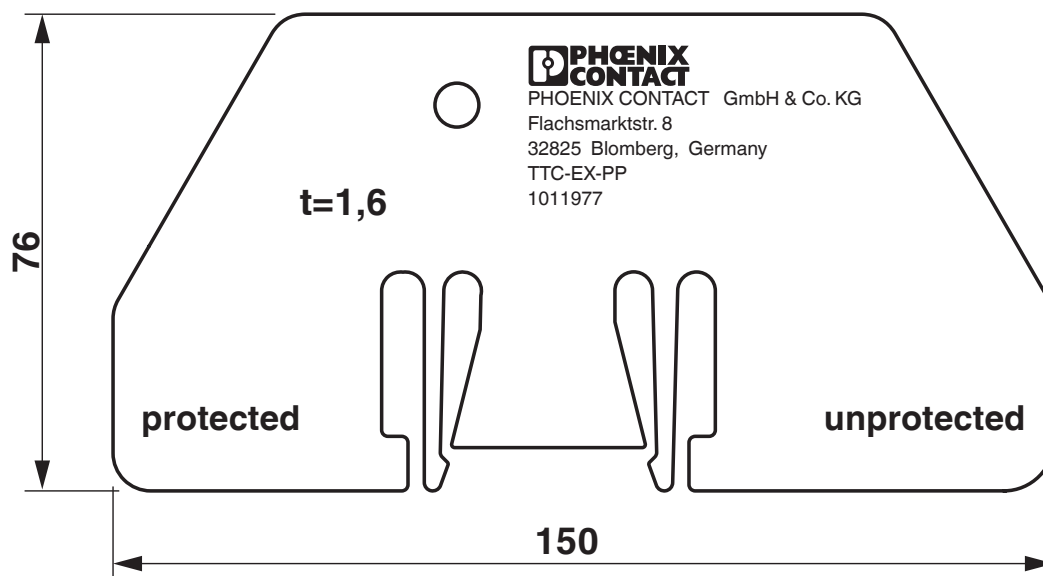
1011977

<https://www.phoenixcontact.com/us/products/1011977>



Drawings

Dimensional drawing



TTC-EX-PP - Separating plate



1011977

<https://www.phoenixcontact.com/us/products/1011977>

Approvals

🔗 To download certificates, visit the product detail page: <https://www.phoenixcontact.com/us/products/1011977>



DNV GL

Approval ID: TAE000027G

TTC-EX-PP - Separating plate



1011977

<https://www.phoenixcontact.com/us/products/1011977>

Classifications

ECLASS

ECLASS-11.0	27141133
ECLASS-12.0	27141133
ECLASS-13.0	27171592

ETIM

ETIM 9.0	EC000886
----------	----------

UNSPSC

UNSPSC 21.0	39121400
-------------	----------

TTC-EX-PP - Separating plate



1011977

<https://www.phoenixcontact.com/us/products/1011977>

Environmental product compliance

EU RoHS

Fulfills EU RoHS substance requirements	Yes, No exemptions
---	--------------------

China RoHS

Environment friendly use period (EFUP)	EFUP-E
	No hazardous substances above the limits

EU REACH SVHC

REACH candidate substance (CAS No.)	No substance above 0.1 wt%
-------------------------------------	----------------------------

Phoenix Contact 2024 © - all rights reserved
<https://www.phoenixcontact.com>

Phoenix Contact USA
586 Fulling Mill Road
Middletown, PA 17057, United States
(+717) 944-1300
info@phoenixcon.com