

## Flat suction cup (round)

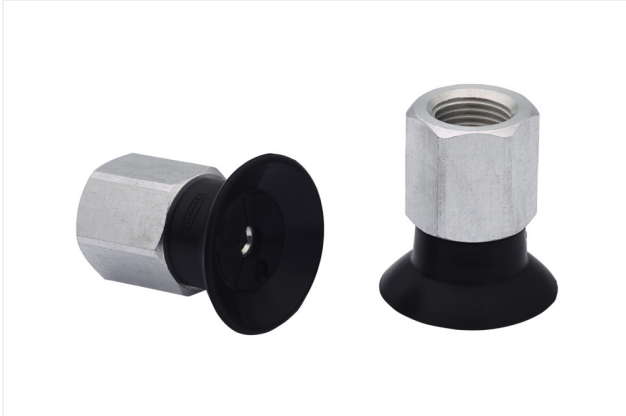
SUF 20 SI-CO-55 G1/8-IG

Part no...:10.01.01.14143

<https://www.schmalz.com/10.01.01.14143>

Home > Vacuum Technology for Automation > Vacuum Components > Vacuum Suction Cups > Flat Suction Cups (Round) > Flat Suction Cups SUF > SUF 20 SI-CO-55 G1/8-IG

### Flat suction cup (round) for process safe handling of smooth or slightly rough surfaces



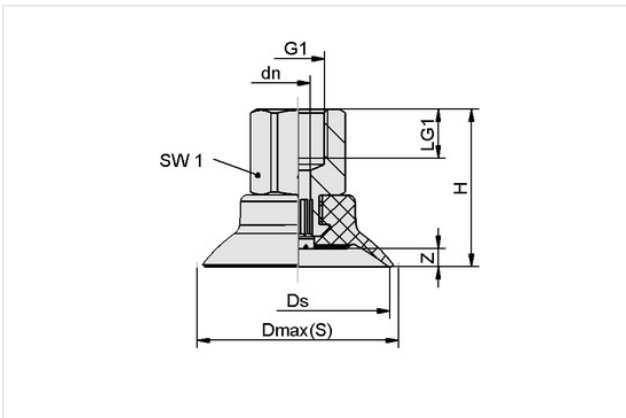
Size: 20

Suction cup material: Silicone SI conductive

Material hardness [Shore A]: 55 Shore A

Vacuum connection: G1/8"-F

### Design Data



Attribute	Value
Dmax(S)	22.80 mm
Ds	20 mm
dn	3.10 mm
G1	G1/8"-F
H	23.50 mm
LG1	8 mm
SW1	14 mm
Z (Stroke)	2 mm

### Technical Data

Attribute	Value
Suction force (-600mbar)	15 N
Pull-off force	15 N
Volume	0.50 cm <sup>3</sup>
Curve radius (min) (convex)	20 mm
Hose diameter (rec.) d	4 mm
Size	20
Suction cup material	Silicone SI conductive
Material hardness [Shore A]	55 Shore A

### Contact Schmalz

Schmalz Inc. | 5850 Oak Forest Drive, Raleigh, NC 27616, United States | +1 (919) 713-0880 | [schmalz.us@schmalz.com](mailto:schmalz.us@schmalz.com)

## Flat suction cup (round)

SUF 20 SI-CO-55 G1/8-IG

Part no...:10.01.01.14143

<https://www.schmalz.com/10.01.01.14143>

Weight	6.50 g
Product family	SUF
Number of folds	0

Note: Suction force: The specified suction forces are theoretical values at a vacuum of -0.6 bar and with a dry, smooth and flat workpiece surface - they do not include a safety factor  
Hose diameter: The recommended hose diameter refers to a hose length of approx. 2 m

### Spare parts



#### SC 030 G1/8-IG

Part no...:10.01.06.04307

Connection geometry: 030

Vacuum connection: G1/8"-F

Fitting length: 14 mm

Nominal diameter dn: 3.1 mm



#### SUF 20 SI-CO-55 SC030

Part no...:10.01.01.14037

Size: 20

Suction cup material: Silicone SI conductive

Material hardness [Shore A]: 55 Shore A