

Bellows suction cups (round)

SPB1 20 ED-65 G1/8-AG

Part no...:10.01.06.03492

<https://www.schmalz.com/10.01.06.03492>

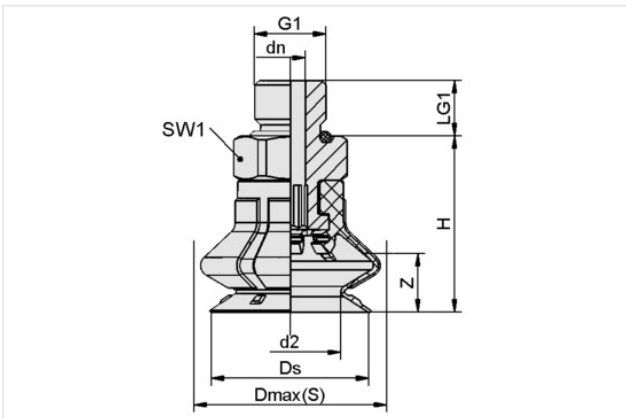
Home > Vacuum Technology for Automation > Vacuum Components > Vacuum Suction Cups > Suction Cups for the Packaging Industry > Bellows Suction Cups SPB1 (1.5 Folds) > SPB1 20 ED-65 G1/8-AG

Bellows suction cup (round) for very uneven workpieces



Size: 20
Suction cup material: Elastodur ED
Material hardness [Shore A]: 65 Shore A
Thread G1: G1/8"-M
Number of folds: 1.5

Design Data



Attribute	Value
d2	13.80 mm
dn	4.10 mm
Dmax(S)	26.30 mm
Ds	21.40 mm
G1	G1/8"-M
H	24 mm
LG1	7.50 mm
SW1	14 mm
Z (Stroke)	8 mm

Technical Data

Attribute	Value
Suction force (-600mbar)	9.90 N
Pull-off force	16.20 N
Lateral force	9.80 N
Volume	3.11 cm ³
Curve radius (min) (convex)	15 mm
Hose diameter (rec.) d	4 mm
Size	20
Number of folds	1.50

Contact Schmalz

Schmalz Inc. | 5850 Oak Forest Drive, Raleigh, NC 27616, United States | +1 (919) 713-0880 | schmalz.us@schmalz.com

Bellows suction cups (round)

SPB1 20 ED-65 G1/8-AG

Part no.:10.01.06.03492

<https://www.schmalz.com/10.01.06.03492>

Suction cup material	Elastodur ED
Material hardness [Shore A]	65 Shore A
Weight	6.30 g
Product family	SPB1

Accessories



SIEB 11x1 MS-A2 280 0.28/0.16

Part no.:10.07.01.00309

External diameter D: 11 mm

Length L: 1 mm

Material: Brass / Stainless steel

Filter pore size: 280 µm



SPI 18 PA SPB1-20

Part no.:10.01.06.03385

Size: 18

Material: Polyamide

Use: SPB1-20

Spare parts

Contact Schmalz

Schmalz Inc. | 5850 Oak Forest Drive, Raleigh, NC 27616, United States | +1 (919) 713-0880 | schmalz.us@schmalz.com

Bellows suction cups (round)

SPB1 20 ED-65 G1/8-AG

Part no...:10.01.06.03492

<https://www.schmalz.com/10.01.06.03492>



SC 040 G1/8-AG

Part no...:10.01.06.02490

Connection geometry: 040

Connection: G1/8"-M

Length L1: 20.2 mm

Fitting length: 6 mm

Nominal diameter dn: 4.1 mm



SPB1 20 ED-65 SC040

Part no...:10.01.06.02452

Size: 20

Suction cup material: Elastodur ED

Material hardness [Shore A]: 65 Shore A

Number of folds: 1.5