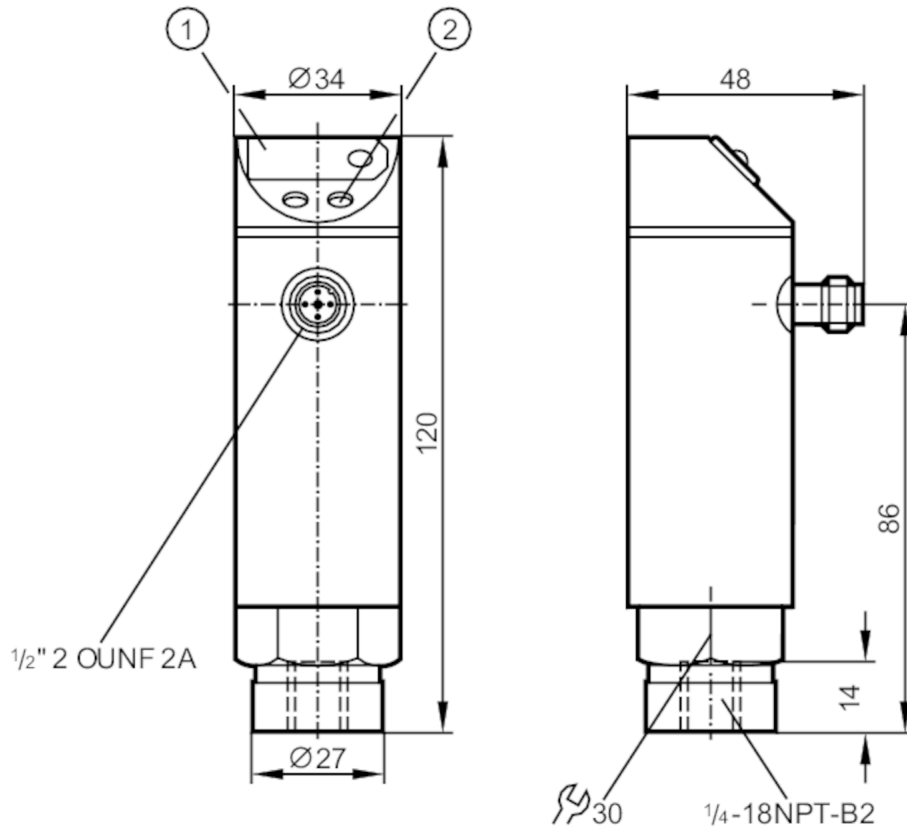


PN4224



Pressure sensor with display

PN-010-RBN14-HFBOW/LS/ IV



- 1 7-segment LED display
- 2 programming button



Product characteristics

Number of inputs and outputs	Number of digital outputs: 1			
Measuring range	0...10 bar	0...145 psi	0...1000 kPa	0...1 MPa
Process connection	threaded connection 1/4" NPT internal thread			

Application

Application	for industrial applications		
Media	liquids and gases		
Medium temperature [°C]	-25...80		
Min. bursting pressure	150 bar	2175 psi	15000 kPa
Pressure rating	75 bar	1088 psi	7500 kPa
Type of pressure	relative pressure		

Electrical data

Operating voltage tolerance [%]	5...10
Operating voltage [V]	90...250 AC
Nominal voltage AC [V]	< 250
Current consumption [mA]	< 10
Min. insulation resistance [MΩ]	100; (500 V DC)
Protection class	II

PN4224



Pressure sensor with display

PN-010-RBN14-HFBOW/LS/ /V

Reverse polarity protection	no
Power-on delay time [s]	0.2
Integrated watchdog	yes

Inputs / outputs

Number of inputs and outputs	Number of digital outputs: 1
------------------------------	------------------------------

Outputs

Total number of outputs	1
Output signal	switching signal
Electrical design	Triac
Number of digital outputs	1
Output function	normally open / normally closed; (parameterisable)
Max. voltage drop switching output AC [V]	2
Permanent current rating of switching output AC [mA]	250; ((...70 °C) 1000 (...60 °C) 1500 (...45 °C) 2500 (...20 °C))
Switching frequency AC [Hz]	< 160
Short-circuit proof	no
Overload protection	no

Measuring/setting range

Measuring range	0...10 bar	0...145 psi	0...1000 kPa	0...1 MPa
Set point SP	0.1...9.99 bar	1...145 psi	10...999 kPa	
Reset point rP	0.05...9.95 bar	1...144 psi	5...994 kPa	
In steps of	0.01 bar	1 psi	1 kPa	

Accuracy / deviations

Switch point accuracy [% of the span]	< ± 1,0
Repeatability [% of the span]	< ± 0,1; (with temperature fluctuations < 10 K)
Linearity deviation [% of the span]	< ± 0,5
Hysteresis deviation [% of the span]	< ± 0,1
Long-term stability [% of the span]	< ± 0,1; (per year)
Temperature coefficient zero point [% of the span / 10 K]	< ± 0,2; (-25...80 °C)
Temperature coefficient span [% of the span / 10 K]	< ± 0,3; (-25...80 °C)

Response times

Delay time programmable dS, dr [s]	0, 0,2,...10, 11,...50
Damping process value dAP [s]	0...4

Software / programming

Adjustment of the switch point	programming button
Parameter setting options	hysteresis / window; normally open / normally closed; switch-on/switch-off delay; Damping; adaptation of displayed values; display can be rotated and switched off; Display unit

PN4224



Pressure sensor with display

PN-010-RBN14-HFBOW/LS/ IV

Operating conditions		
Ambient temperature	[°C]	-25...80
Storage temperature	[°C]	-40...100
Protection		IP 65

Tests / approvals		
EMC	EN 61000-4-2 ESD	4 kV CD / 8 kV AD
	EN 61000-4-3 HF radiated	10 V/m
	EN 61000-4-4 Burst	2 kV
	EN 61000-4-6 HF conducted	10 V
Shock resistance	DIN IEC 68-2-27	50 g (11 ms)
Vibration resistance	DIN IEC 68-2-6	20 g (10...2000 Hz)
MTTF	[years]	224.58
Pressure Equipment Directive		Sound engineering practice; can be used for group 2 fluids; group 1 fluids on request

Mechanical data		
Weight	[g]	356.3
Materials		stainless steel (304/1.4301); PC; PBT; PA; FKM
Materials (wetted parts)		stainless steel (303/1.4305); ceramics; FKM
Min. pressure cycles		100 million
Process connection		threaded connection 1/4" NPT internal thread
Restrictor element integrated		no (can be retrofitted)

Displays / operating elements		
Display	switching status	LED, red
	function display	7-segment LED display
	measured values	7-segment LED display

Electrical connection		
Required protection		miniature fuse to IEC60127-2 sheet 1; ≤ 5 A; fast acting

Remarks		
Remarks		n.c. = not used
Pack quantity		1 pcs.

Electrical connection

Connector: 1 x 1/2"; coding: C



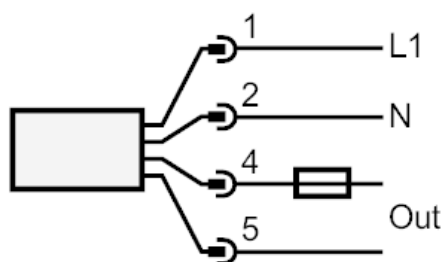
PN4224



Pressure sensor with display

PN-010-RBN14-HFBOW/LS/ IV

Connection



Note miniature fuse to IEC60127-2 sheet 1 ≤ 5 A fast acting