

PLC-V8C/PT-24DC/SAM2 - Controller



2907443

<https://www.phoenixcontact.com/us/products/2907443>

Please be informed that the data shown in this PDF document is generated from our online catalog. Please find the complete data in the user documentation. Our general terms of use for downloads are valid.



PLC logic stand-alone module, Generation 2, with 16 I/Os, for plug-in connection to eight digital or analog PLC-INTERFACE terminal blocks, cannot be extended, real-time clock, micro USB female connector, accommodates memory module and Bluetooth adapter, Push-in connection

Commercial data

Item number	2907443
Packing unit	1 pc
Minimum order quantity	1 pc
Sales key	C424
Product key	CK2611
Catalog page	Page 430 (C-5-2019)
GTIN	4055626218182
Weight per piece (including packing)	130.08 g
Weight per piece (excluding packing)	130 g
Customs tariff number	85371098
Country of origin	DE

Technical data

Notes

General	For proper use, the specifications of the installation directive (see Downloads) must be observed. For applications or use with third-party products, the specifications, and the safety and warning instructions of the respective third-party manufacturer must also be met.
---------	--

Product properties

Product type	Base unit
Product family	PLC logic
Operating mode	100% operating factor

Insulation characteristics

Insulation	Basic insulation
------------	------------------

Insulation characteristics: Air clearances and creepage distances

Insulation	Basic insulation
Overvoltage category	III
Pollution degree	2

Electrical properties

Air clearances and creepage distances

Rated insulation voltage	50 V
Rated surge voltage	0.8 kV

Real-time clock

Realtime clock	Yes
Buffer period	96 h (Capacitor)
Accuracy realtime clock	±2 s/d

Supply

Supply voltage	24 V DC
Supply voltage range	19.2 V DC ... 26.4 V DC
Typical input current at U_N	40 mA
Maximum input current at U_N	160 mA
Protective circuit	Reverse polarity protection Surge protection

Input data

Digital inputs

Number of inputs	≤ 8 (2 configurable as analog)
Description of the input	EN 61131-2, type 3
Input voltage	24 V DC
Signal level "0" signal	< 5 V

PLC-V8C/PT-24DC/SAM2 - Controller



2907443

<https://www.phoenixcontact.com/us/products/2907443>

Signal level "1" signal	> 11 V
Input current "0" signal	< 1 mA
Input current "1" signal	2.5 mA
Status display	Yellow LED

Analog inputs

Number of inputs	≤ 2 (IN6 and IN7 are configurable as analog)
Input voltage range	0 V ... 10 V
Input resistance	> 3.5 kΩ

Contact to PLC-INTERFACE

Number of inputs	≤ 8
Description of the input	technical data depends on the PLC-INTERFACE terminal block used
Input voltage	19 V DC
Typical current consumption	4 mA
Input resistance	< 100 mΩ

Output data

Number of outputs	≤ 8
Nominal output voltage	24 V DC
Nominal current	9 mA

Connection data

COMBICON connection

Connection method	Push-in connection
Stripping length	9 mm
Number of connections	1
Number of positions	10
Note	Device supply and 8 x inputs
Conductor cross section rigid	0.14 mm ² ... 1.5 mm ²
Conductor cross section flexible	0.14 mm ² ... 1.5 mm ²
	0.25 mm ² ... 0.5 mm ² (Ferrule with plastic sleeve)
	0.25 mm ² ... 1.5 mm ² (Ferrules without plastic sleeve)
Conductor cross section AWG	26 ... 16

Programming connection

Connection method	Micro USB type B
Number of connections	1

Memory

Connection method	S-PORT (socket)
Number of connections	1
Number of positions	12
Note	For connecting the memory module

PLC-V8C/PT-24DC/SAM2 - Controller



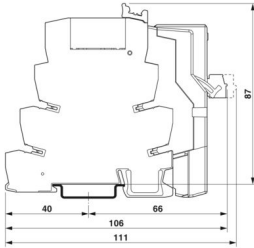
2907443

<https://www.phoenixcontact.com/us/products/2907443>

Signaling

Status display	Green LED
----------------	-----------

Dimensions

Dimensional drawing	
Width	50 mm
Height	48.5 mm
	111 mm (with relay)
Depth	82.5 mm
	87 mm (with relay)

Material specifications

Color	gray (RAL 7042)
-------	-----------------

Environmental and real-life conditions

Ambient conditions

Degree of protection	IP20
Ambient temperature (operation)	-20 °C ... 50 °C
Ambient temperature (storage/transport)	-20 °C ... 70 °C
Max. permissible relative humidity (operation)	95 %

Approvals

CE

Certificate	CE-compliant
-------------	--------------

UL, USA/Canada

Identification	Class I, Div. 2, Groups A, B, C, D T4
----------------	---------------------------------------

UL, Canada

Identification	Class I, Zone 2, Ex ec IIC Gc T4 X
----------------	------------------------------------

UL, USA

Identification	Class I, Zone 2, AEx ec IIC T4
----------------	--------------------------------

Standards and regulations

Air clearances and creepage distances

Standards/regulations	EN IEC 60664-1
-----------------------	----------------

PLC-V8C/PT-24DC/SAM2 - Controller



2907443

<https://www.phoenixcontact.com/us/products/2907443>

Mounting

Mounting type	Plug-in mounting
Assembly instructions	can be plugged onto 8 x PLC-INTERFACE terminal blocks
Mounting position	any

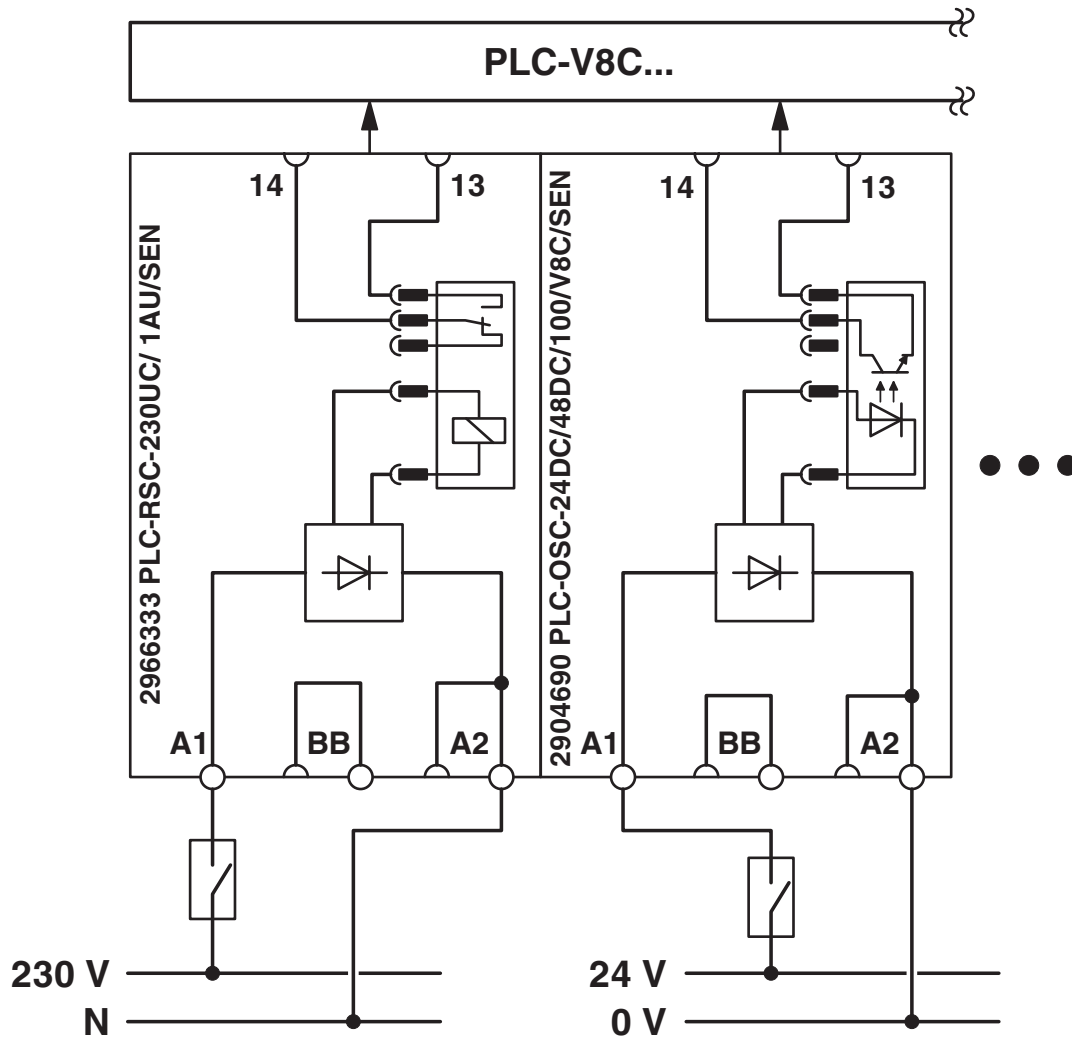
PLC-V8C/PT-24DC/SAM2 - Controller

2907443

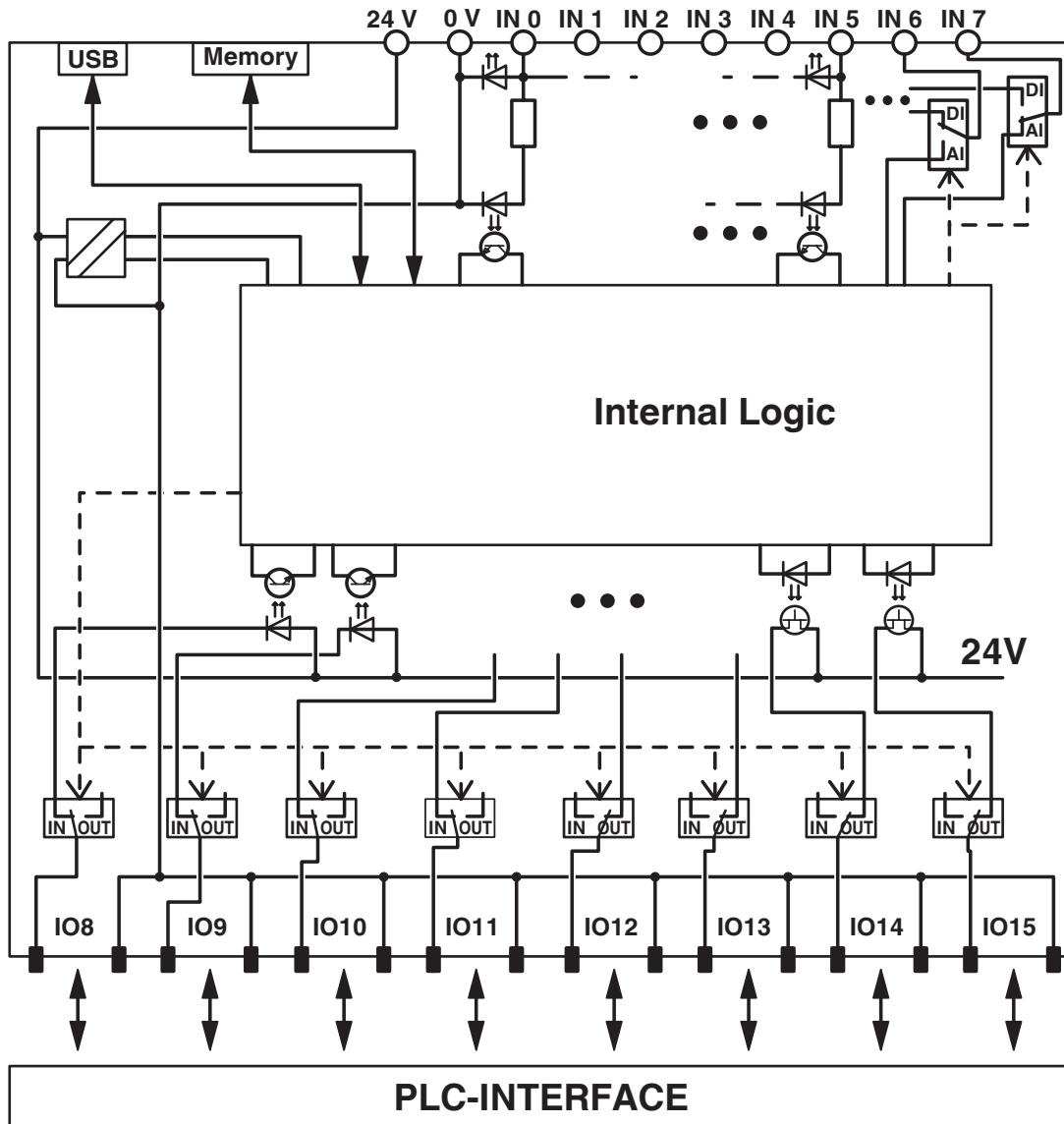
<https://www.phoenixcontact.com/us/products/2907443>

Drawings

Circuit diagram



Circuit diagram



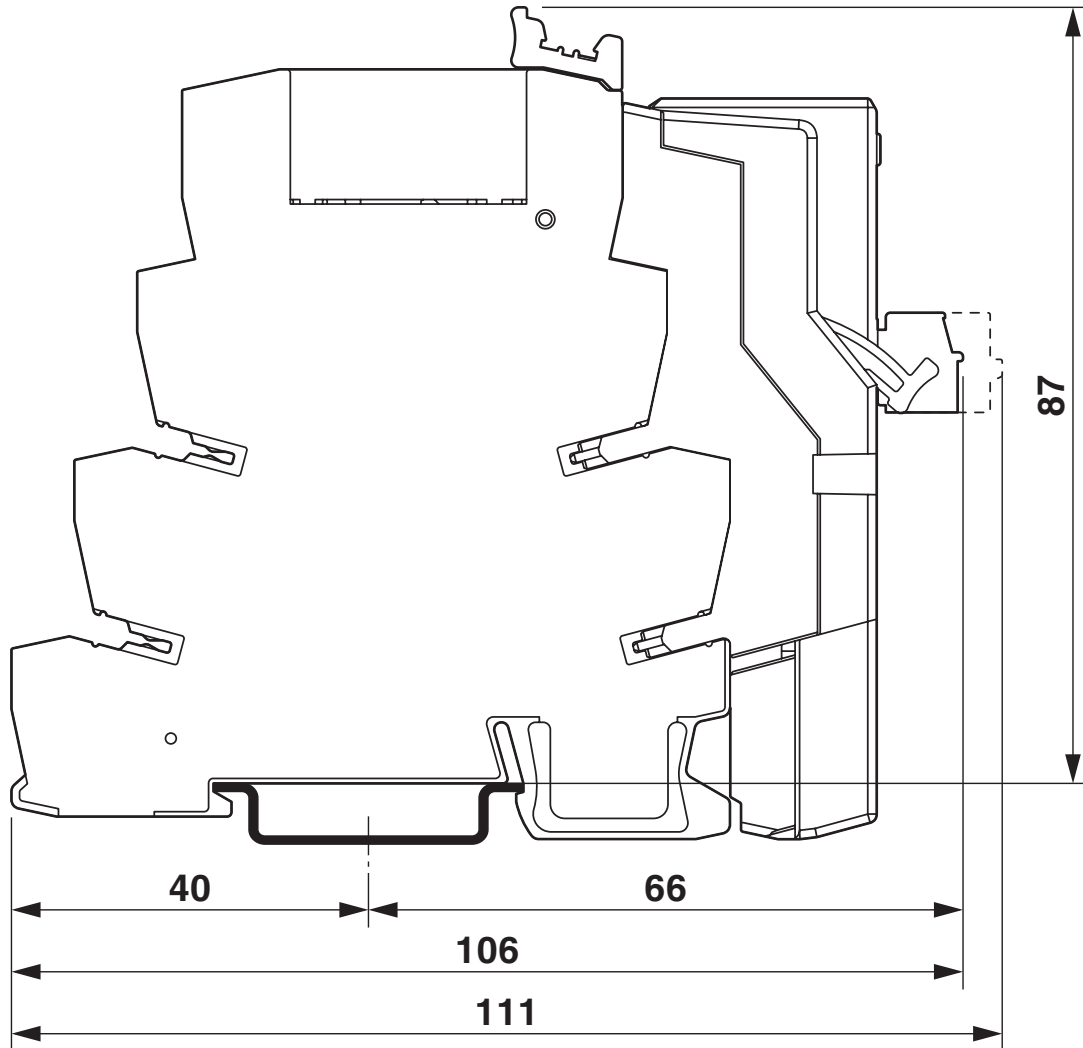
PLC-V8C/PT-24DC/SAM2 - Controller



2907443

<https://www.phoenixcontact.com/us/products/2907443>

Dimensional drawing



PLC logic with relay

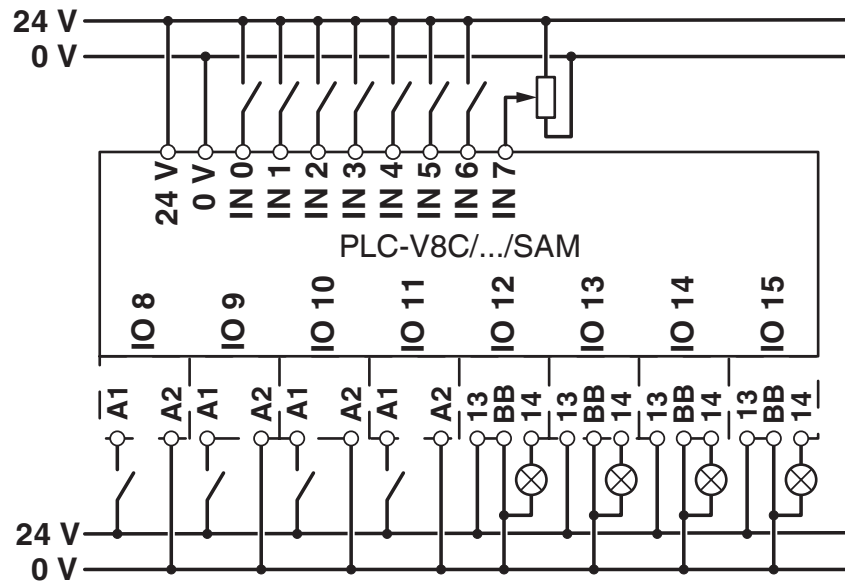
PLC-V8C/PT-24DC/SAM2 - Controller

2907443

<https://www.phoenixcontact.com/us/products/2907443>



Connection diagram



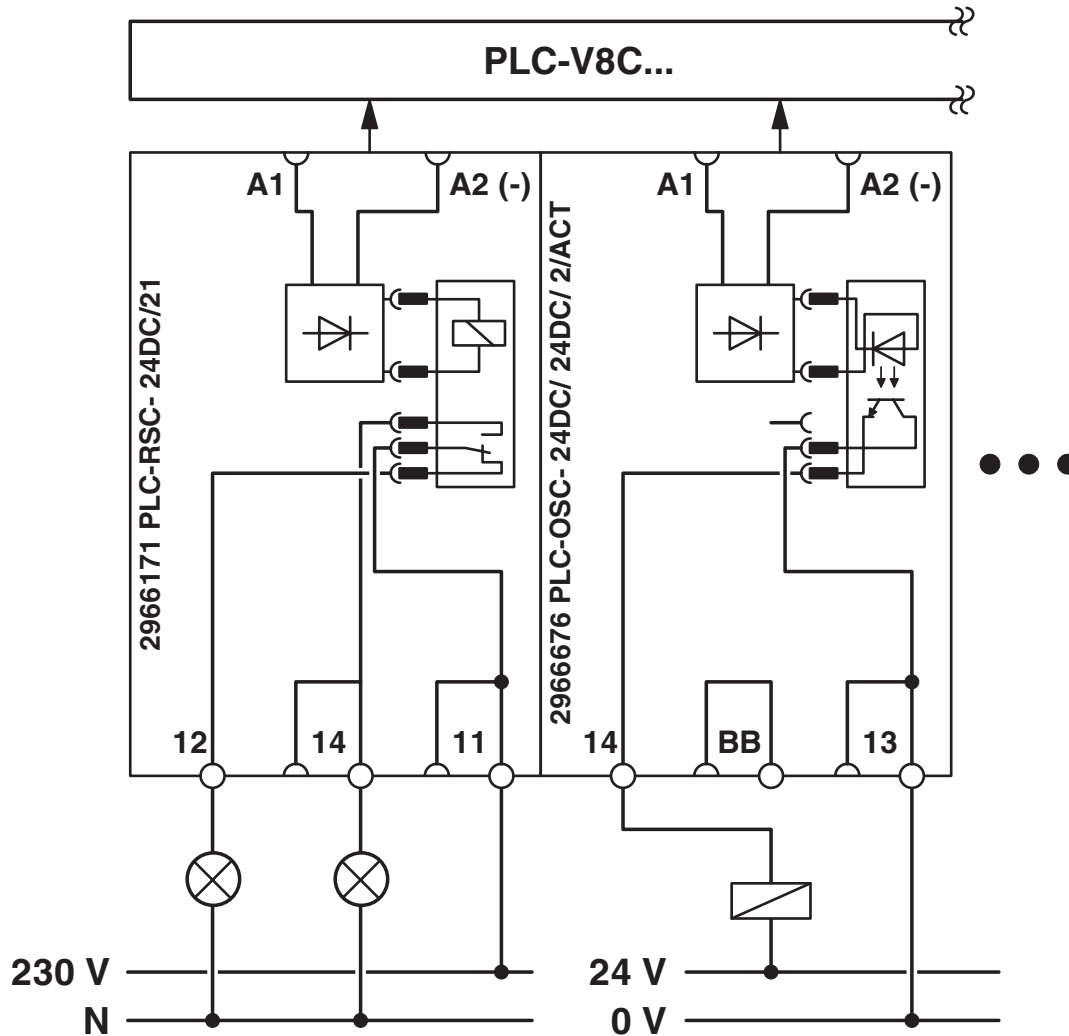
PLC-V8C/PT-24DC/SAM2 - Controller



2907443

<https://www.phoenixcontact.com/us/products/2907443>

Circuit diagram



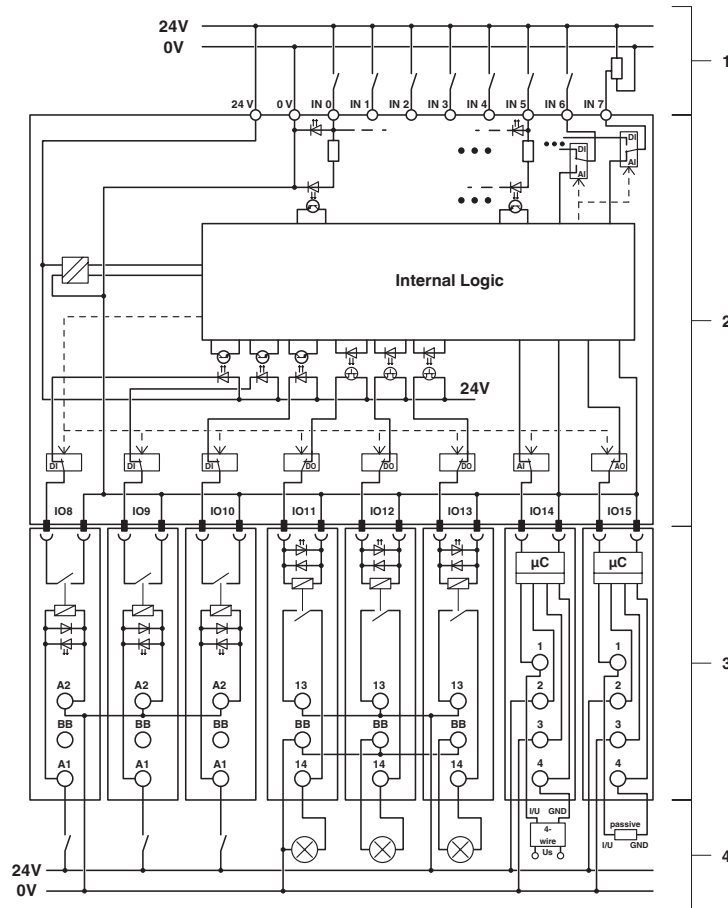
PLC-V8C/PT-24DC/SAM2 - Controller

2907443

<https://www.phoenixcontact.com/us/products/2907443>



Circuit diagram



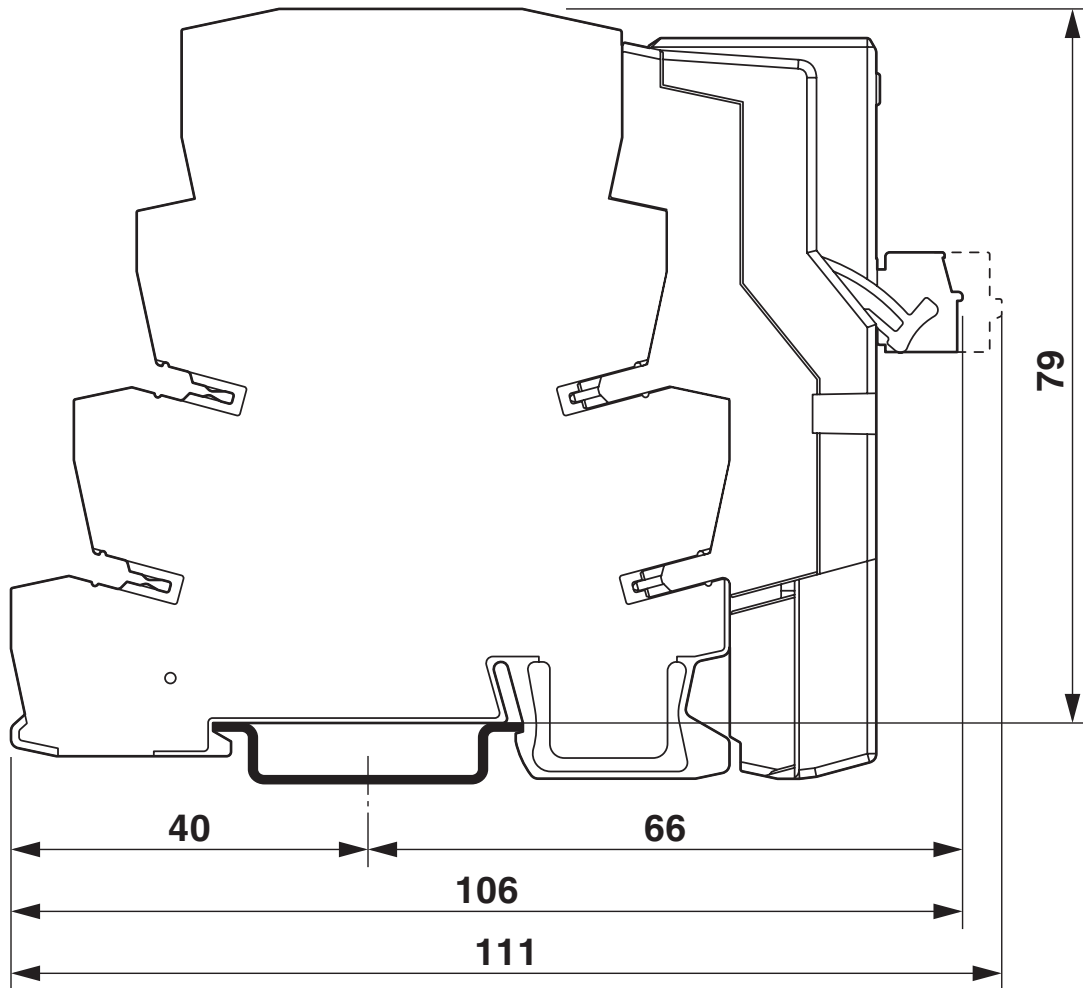
PLC-V8C/PT-24DC/SAM2 - Controller



2907443

<https://www.phoenixcontact.com/us/products/2907443>

Dimensional drawing



PLC logic with analogue terminals

PLC-V8C/PT-24DC/SAM2 - Controller



2907443

<https://www.phoenixcontact.com/us/products/2907443>

Approvals

To download certificates, visit the product detail page: <https://www.phoenixcontact.com/us/products/2907443>



EAC

Approval ID: RU*DE.*08.B.01517/19



UL Listed

Approval ID: FILE E 172140



cUL Listed

Approval ID: FILE E 172140



cUL Listed

Approval ID: FILE E 199827



UL Listed

Approval ID: FILE E 199827

cULus Listed

cULus Listed

PLC-V8C/PT-24DC/SAM2 - Controller



2907443

<https://www.phoenixcontact.com/us/products/2907443>

Classifications

ECLASS

ECLASS-11.0	27242216
ECLASS-13.0	27242216
ECLASS-12.0	27242216

ETIM

ETIM 9.0	EC001417
----------	----------

UNSPSC

UNSPSC 21.0	39122300
-------------	----------

PLC-V8C/PT-24DC/SAM2 - Controller



2907443

<https://www.phoenixcontact.com/us/products/2907443>

Environmental product compliance

EU RoHS

Fulfills EU RoHS substance requirements	Yes
Exemption	7(a), 7(c)-I

China RoHS

Environment friendly use period (EFUP)	EFUP-50
	An article-related China RoHS declaration table can be found in the download area for the respective article under "Manufacturer declaration". For all articles with EFUP-E, no China RoHS declaration table issued and required.

EU REACH SVHC

REACH candidate substance (CAS No.)	Lead(CAS: 7439-92-1)
SCIP	82e455c5-00a9-457c-8072-67b8f0606aa5

2907443

<https://www.phoenixcontact.com/us/products/2907443>

Accessories

ZBF 19,7:UNBEDRUCKT - Zack marker strips off the roll, flat

0810627

<https://www.phoenixcontact.com/us/products/0810627>



Zack marker strips off the roll, flat, Strip, white, unlabeled, can be labeled with: PLOTMARK, CMS-P1-PLOTTER, mounting type: snapped, for terminal block width: 19.7 mm, lettering field size: 19.7 x 5.2 mm, Number of individual labels: 5

ZBF 19,7 CUS - Zack Marker strip, flat

0825021

<https://www.phoenixcontact.com/us/products/0825021>



Zack Marker strip, flat, can be ordered: Strip, white, labeled according to customer specifications, mounting type: snap into flat marker groove, for terminal block width: 19.7 mm, lettering field size: 5.15 x 19.7 mm, Number of individual labels: 5

PLC-V8C/PT-24DC/SAM2 - Controller

2907443

<https://www.phoenixcontact.com/us/products/2907443>



IFS-CONFSTICK - Memory block

2986122

<https://www.phoenixcontact.com/us/products/2986122>



Multi-functional memory block for the INTERFACE system for easy storage and backup of the configuration.

IFS-BT-PROG-ADAPTER - Adapter

2905872

<https://www.phoenixcontact.com/us/products/2905872>



Bluetooth adapter with micro USB and S-PORT interface for wireless communication with the MINI Analog, MINI Analog Pro, MACX Analog, Interface System Gateways, and PLC logic device series.

PLC-V8C/PT-24DC/SAM2 - Controller



2907443

<https://www.phoenixcontact.com/us/products/2907443>

CAB-USB A/MICRO USB B/2,0M - Connecting cable

2701626

<https://www.phoenixcontact.com/us/products/2701626>



Connecting cable, for connecting the controller to a PC for PC Worx and LOGIC+, USB A to micro USB B, 2 m in length.

IFS-V8C-RS232-DATCABLE - Cable

1076342

<https://www.phoenixcontact.com/us/products/1076342>



Data cable for RS-232 communication between the PLC logic modules and the BTP 2000 device series touch panels. Cable length: 2 m

PLC-V8C/PT-24DC/SAM2 - Controller

2907443

<https://www.phoenixcontact.com/us/products/2907443>



PLC-RPT- 24DC/21 - Relay Module

2900299

<https://www.phoenixcontact.com/us/products/2900299>



PLC-INTERFACE, consisting of PLC-BPT.../21 basic terminal block with Push-in connection and plug-in miniature relay with power contact, for mounting on NS 35/7,5 DIN rail, 1 changeover contact, input voltage 24 V DC

PLC-RSC- 24DC/21 - Relay Module

2966171

<https://www.phoenixcontact.com/us/products/2966171>



PLC-INTERFACE, consisting of basic terminal block PLC-BSC.../21 with screw connection and plug-in miniature relay with power contact, for assembly on DIN rail NS 35/7,5, 1 changeover contact, input voltage 24 V DC

PLC-V8C/PT-24DC/SAM2 - Controller

2907443

<https://www.phoenixcontact.com/us/products/2907443>



PLC-RPT-24DC/21/EX - Relay Module

2909528

<https://www.phoenixcontact.com/us/products/2909528>



PLC-INTERFACE, consisting of DIN-rail-mountable basic terminal block in 6.2 mm with Push-in connection and plug-in miniature relay with 6 A power contact, 1 changeover contact, 24 V DC input voltage. Approved in accordance with ATEX/IECEX (zone 2) and Ex zone Class I, Div. 2.

PLC-RSC-24DC/21/EX - Relay Module

2909524

<https://www.phoenixcontact.com/us/products/2909524>



PLC-INTERFACE, consisting of DIN-rail-mountable basic terminal block in 6.2 mm with screw connection and plug-in miniature relay with 6 A power contact, 1 changeover contact, 24 V DC input voltage. Approved according to ATEX/IECEX (Zone 2) and Ex Zone Class I, Div. 2.

PLC-V8C/PT-24DC/SAM2 - Controller



2907443

<https://www.phoenixcontact.com/us/products/2907443>

PLC-RPT- 24DC/21AU - Relay Module

2900306

<https://www.phoenixcontact.com/us/products/2900306>



PLC-INTERFACE, consisting of PLC-BPT.../21 basic terminal block with Push-in connection and plug-in miniature relay with multi-layer gold contact, for mounting on DIN rail NS 35/7,5, 1 changeover contact, input voltage 24 V DC

PLC-RSC- 24DC/21AU - Relay Module

2966265

<https://www.phoenixcontact.com/us/products/2966265>



PLC-INTERFACE, consisting of PLC-BSC.../21 basic terminal block with screw connection and plug-in miniature relay with multi-layer gold contact, for mounting on DIN rail NS 35/7,5, 1 changeover contact, input voltage 24 V DC

PLC-V8C/PT-24DC/SAM2 - Controller



2907443

<https://www.phoenixcontact.com/us/products/2907443>

PLC-RPT- 24DC/ 1/ACT - Relay Module

2900312

<https://www.phoenixcontact.com/us/products/2900312>



PLC-INTERFACE for output functions, consisting of PLC-BPT.../ACT basic terminal block with push-in connection and plug-in miniature relay with power contact, for mounting on DIN rail NS 35/7,5, 1 N/O contact, input voltage 24 V DC

PLC-RSC- 24DC/ 1/ACT - Relay Module

2966210

<https://www.phoenixcontact.com/us/products/2966210>



PLC-INTERFACE for output functions, consisting of PLC-BSC.../ACT basic terminal block with screw connection and plug-in miniature relay with power contact, for mounting on DIN rail NS 35/7,5, 1 N/O contact, input voltage 24 V DC

PLC-V8C/PT-24DC/SAM2 - Controller



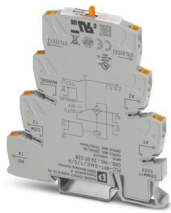
2907443

<https://www.phoenixcontact.com/us/products/2907443>

PLC-RPT- 24UC/ 1/S/H - Switch

2900328

<https://www.phoenixcontact.com/us/products/2900328>



PLC-INTERFACE with switch (operation by hand) and integrated power contact relay for the "Manual, Zero and Automatic" functions, with push-in connection, for mounting on DIN rail NS 35/7.5, one N/O contact, input voltage 24 V AC/DC

PLC-RSC- 24UC/ 1/S/H - Switch

2982236

<https://www.phoenixcontact.com/us/products/2982236>



PLC-INTERFACE with switch (operation by hand) for the "Manual, Zero, and Automatic" functions, with screw connection and integrated power contact relay, for mounting on DIN rail NS 35/7,5, 1 N/O contact, input voltage 24 V AC/DC

PLC-V8C/PT-24DC/SAM2 - Controller



2907443

<https://www.phoenixcontact.com/us/products/2907443>

PLC-OPT- 24DC/ 48DC/100 - Solid-state relay module

2900352

<https://www.phoenixcontact.com/us/products/2900352>



PLC-INTERFACE, consisting of PLC-BPT.../21 basic terminal block with push-in connection and plug-in miniature solid-state relay, for mounting on DIN rail NS 35/7,5, 1 N/O contact, input: 24 V DC, output: 3 - 48 V DC/100 mA

PLC-OSC- 24DC/ 48DC/100 - Solid-state relay module

2966728

<https://www.phoenixcontact.com/us/products/2966728>



PLC-INTERFACE, consisting of PLC-BSC.../21 basic terminal block with screw connection and plug-in miniature solid-state relay, for mounting on DIN rail NS 35/7,5, 1 N/O contact, input: 24 V DC, output: 3 - 48 V DC/100 mA

PLC-V8C/PT-24DC/SAM2 - Controller

2907443

<https://www.phoenixcontact.com/us/products/2907443>

PLC-OPT- 24DC/ 24DC/2 - Solid-state relay module

2900364

<https://www.phoenixcontact.com/us/products/2900364>



PLC-INTERFACE, consisting of PLC-BPT.../21 basic terminal block with push-in connection and plug-in miniature solid-state relay, for mounting on DIN rail NS 35/7,5, 1 N/O contact, input: 24 V DC, output: 3 - 33 V DC/3 A

PLC-OSC- 24DC/ 24DC/ 2 - Solid-state relay module

2966634

<https://www.phoenixcontact.com/us/products/2966634>



PLC-INTERFACE, consisting of PLC-BSC.../21 basic terminal block with screw connection and plug-in miniature solid-state relay, for mounting on DIN rail NS 35/7,5, 1 N/O contact, input: 24 V DC, output: 3 - 33 V DC/3 A

PLC-V8C/PT-24DC/SAM2 - Controller

2907443

<https://www.phoenixcontact.com/us/products/2907443>

PLC-OPT- 24DC/230AC/1 - Solid-state relay module

2900369

<https://www.phoenixcontact.com/us/products/2900369>



PLC-INTERFACE, consisting of PLC-BPT.../21 basic terminal block with push-in connection and plug-in miniature solid-state relay, for mounting on DIN rail NS 35/7,5, 1 N/O contact, input: 24 V DC, output: 24 - 253 V AC/0.75 A

PLC-OSC- 24DC/230AC/ 1 - Solid-state relay module

2967840

<https://www.phoenixcontact.com/us/products/2967840>



PLC-INTERFACE, consisting of PLC-BSC.../21 basic terminal block with screw connection and plug-in miniature solid-state relay, for mounting on DIN rail NS 35/7,5, 1 N/O contact, input: 24 V DC, output: 24 - 253 V AC/0.75 A

PLC-V8C/PT-24DC/SAM2 - Controller



2907443

<https://www.phoenixcontact.com/us/products/2907443>

PLC-OPT- 24DC/ 24DC/2/ACT - Solid-state relay module

2900376

<https://www.phoenixcontact.com/us/products/2900376>



PLC-INTERFACE for output functions, consisting of PLC-BPT.../ACT basic terminal block with push-in connection and plug-in miniature solid-state relay, for mounting on DIN rail NS 35/7,5, 1 N/O contact, input: 24 V DC, output: 3 - 33 V DC/3 A

PLC-OSC- 24DC/ 24DC/ 2/ACT - Solid-state relay module

2966676

<https://www.phoenixcontact.com/us/products/2966676>



PLC-INTERFACE for output functions, consisting of PLC-BSC.../ACT basic terminal block with screw connection and plug-in miniature solid-state relay, for mounting on DIN rail NS 35/7,5, 1 N/O contact, input: 24 V DC, output: 3 - 33 V DC/3 A

PLC-V8C/PT-24DC/SAM2 - Controller

2907443

<https://www.phoenixcontact.com/us/products/2907443>



PLC-OSC- 24DC/230AC/ 1/ACT - Solid-state relay module

2967947

<https://www.phoenixcontact.com/us/products/2967947>



PLC-INTERFACE for output functions, consisting of PLC-BSC.../ACT basic terminal block with screw connection and plug-in miniature solid-state relay, for mounting on DIN rail NS 35/7,5, 1 N/O contact, input: 24 V DC, output: 24 ... 253 V AC/0.75 A

PLC-OPT- 24DC/300DC/1 - Solid-state relay module

2900383

<https://www.phoenixcontact.com/us/products/2900383>



PLC-INTERFACE, integrated solid-state relay, with push-in connection, for mounting on NS 35/7,5 DIN rails, input: 24 V DC, output: 12 - 300 V DC/1 A

PLC-V8C/PT-24DC/SAM2 - Controller



2907443

<https://www.phoenixcontact.com/us/products/2907443>

PLC-OSC- 24DC/300DC/ 1 - Solid-state relay module

2980678

<https://www.phoenixcontact.com/us/products/2980678>



PLC-INTERFACE, integrated solid-state relay, with screw connection, for mounting on NS 35/7,5 DIN rails, input: 24 V DC, output: 12 - 300 V DC/1 A

PLC-OPT- 24DC/ 24DC/10/R - Solid-state relay module

2900398

<https://www.phoenixcontact.com/us/products/2900398>



PLC-INTERFACE with confirmation contact, consisting of basic terminal block with push-in connection and integrated miniature solid-state relay, for mounting on DIN rail NS 35/7,5, 1 N/O contact, input: 24 V DC, output: 3 - 33 V DC/10 A

PLC-V8C/PT-24DC/SAM2 - Controller

2907443

<https://www.phoenixcontact.com/us/products/2907443>



PLC-OSC- 24DC/ 24DC/ 10/R - Solid-state relay module

2982702

<https://www.phoenixcontact.com/us/products/2982702>



PLC-INTERFACE with checkback contact, consisting of basic terminal block with screw connection and integrated miniature solid-state relay, for mounting on DIN rail NS 35/7,5, 1 N/O contact, input: 24 V DC, output: 3 ... 33 V DC/10 A

PLC-OPT- 24DC/ 48DC/500/W - Solid-state relay module

2900378

<https://www.phoenixcontact.com/us/products/2900378>



PLC-INTERFACE with electronic changeover contact, consisting of PLC-BPT.../21 basic terminal block with Push-in connection and integrated miniature solid-state relay, for mounting on DIN rail NS 35/7,5, 1 changeover contact, input: 24 V DC, output: 3-48 V DC/500 mA

PLC-V8C/PT-24DC/SAM2 - Controller

2907443

<https://www.phoenixcontact.com/us/products/2907443>



PLC-OSC- 24DC/ 48DC/500/W - Solid-state relay module

2980636

<https://www.phoenixcontact.com/us/products/2980636>



PLC-INTERFACE with electronic changeover contact, consisting of PLC-BSC.../21 basic terminal block with screw connection and integrated miniature solid-state relay, for mounting on NS 35/7,5 DIN rail, 1 changeover contact, input: 24 V DC, output: 3 V DC ... 48 V DC/500 mA

PLC-OPT- 24DC/TTL - Solid-state relay module

2900363

<https://www.phoenixcontact.com/us/products/2900363>



PLC-INTERFACE for TTL signal, consisting of PLC-O.../TTL basic terminal block with push-in connection and integrated solid-state relay, for mounting on DIN rail NS 35/7,5, 1 N/O contact, input: 24 V DC, output: TTL (5 V DC)

PLC-V8C/PT-24DC/SAM2 - Controller



2907443

<https://www.phoenixcontact.com/us/products/2907443>

PLC-OSC- 24DC/TTL - Solid-state relay module

2982728

<https://www.phoenixcontact.com/us/products/2982728>



PLC solid-state relay with screw connection, for mounting on DIN rail NS 35/7.5, input: 24 V DC, output: TTL (5 V DC)

PLC-RPT- 24DC/ 1AU/SEN - Relay Module

2900313

<https://www.phoenixcontact.com/us/products/2900313>



PLC-INTERFACE for input functions, consisting of PLC-BPT.../SEN basic terminal block with push-in connection and plug-in miniature relay with multi-layer gold contact, for mounting on DIN rail NS 35/7,5, 1 N/O contact, input voltage 24 V DC

PLC-V8C/PT-24DC/SAM2 - Controller

2907443

<https://www.phoenixcontact.com/us/products/2907443>

PLC-RSC- 24DC/ 1AU/SEN - Relay Module

2966317

<https://www.phoenixcontact.com/us/products/2966317>



PLC-INTERFACE for input functions, consisting of PLC-BSC.../SEN basic terminal block with screw connection and plug-in miniature relay with multi-layer gold contact, for mounting on DIN rail NS 35/7,5, 1 N/O contact, input voltage 24 V DC

PLC-RPT-120UC/ 1AU/SEN - Relay Module

2900314

<https://www.phoenixcontact.com/us/products/2900314>



PLC-INTERFACE for input functions, consisting of PLC-BPT.../SEN basic terminal block with push-in connection and plug-in miniature relay with multi-layer gold contact, for mounting on DIN rail NS 35/7,5, 1 N/O contact, input voltage 120 V AC/110 V DC

PLC-V8C/PT-24DC/SAM2 - Controller

2907443

<https://www.phoenixcontact.com/us/products/2907443>

PLC-RSC-120UC/ 1AU/SEN - Relay Module

2966320

<https://www.phoenixcontact.com/us/products/2966320>



PLC-INTERFACE for input functions, consisting of PLC-BSC.../SEN basic terminal block with screw connection and plug-in miniature relay with multi-layer gold contact, for mounting on DIN rail NS 35/7,5, 1 N/O contact, input voltage 120 V AC/110 V DC

PLC-RPT-230UC/ 1AU/SEN - Relay Module

2900315

<https://www.phoenixcontact.com/us/products/2900315>



PLC-INTERFACE for input functions, consisting of PLC-BPT.../SEN basic terminal block with push-in connection and plug-in miniature relay with multi-layer gold contact, for mounting on DIN rail NS 35/7,5, 1 N/O contact, input voltage 230 V AC/220 V DC

PLC-V8C/PT-24DC/SAM2 - Controller

2907443

<https://www.phoenixcontact.com/us/products/2907443>

PLC-RSC-230UC/ 1AU/SEN - Relay Module

2966333

<https://www.phoenixcontact.com/us/products/2966333>



PLC-INTERFACE for input functions, consisting of PLC-BSC.../SEN basic terminal block with screw connection and plug-in miniature relay with multi-layer gold contact, for mounting on DIN rail NS 35/7,5, 1 N/O contact, input voltage 230 V AC/220 V DC

PLC-OPT-24DC/V8C/SEN - Solid-state relay module

2908172

<https://www.phoenixcontact.com/us/products/2908172>



PLC-INTERFACE for input functions with PLC logic, with Push-in connection and plug-in miniature solid-state relay, for mounting on a DIN rail, 1 N/O contact, input: 24 V DC

PLC-V8C/PT-24DC/SAM2 - Controller

2907443

<https://www.phoenixcontact.com/us/products/2907443>



PLC-OSC-24DC/V8C/SEN - Solid-state relay module

2908173

<https://www.phoenixcontact.com/us/products/2908173>



PLC-INTERFACE for input functions with PLC logic, with screw connection and plug-in miniature solid-state relay, for mounting on a DIN rail, 1 N/O contact, input: 24 V DC

PLC-OPT-120UC/V8C/SEN - Solid-state relay module

2908174

<https://www.phoenixcontact.com/us/products/2908174>



PLC-INTERFACE for input functions with PLC logic, with Push-in connection and plug-in miniature solid-state relay, for mounting on a DIN rail, 1 N/O contact, input: 120 V AC/110 V DC

PLC-V8C/PT-24DC/SAM2 - Controller

2907443

<https://www.phoenixcontact.com/us/products/2907443>

PLC-OSC-120UC/V8C/SEN - Solid-state relay module

2908175

<https://www.phoenixcontact.com/us/products/2908175>



PLC-INTERFACE for input functions with PLC logic, with screw connection and plug-in miniature solid-state relay, for mounting on a DIN rail, 1 N/O contact, input: 120 V AC/110 V DC

PLC-OPT-230UC/V8C/SEN - Solid-state relay module

2908176

<https://www.phoenixcontact.com/us/products/2908176>



PLC-INTERFACE for input functions with PLC logic, with Push-in connection and plug-in miniature solid-state relay, for mounting on a DIN rail, 1 N/O contact, input: 230 V AC/220 V DC

PLC-V8C/PT-24DC/SAM2 - Controller

2907443

<https://www.phoenixcontact.com/us/products/2907443>



PLC-OSC-230UC/V8C/SEN - Solid-state relay module

2908177

<https://www.phoenixcontact.com/us/products/2908177>



PLC-INTERFACE for input functions with PLC logic, with screw connection and plug-in miniature solid-state relay, for mounting on a DIN rail, 1 N/O contact, input: 230 V AC/220 V DC

PLC-BPT- 24DC/21 - Relay base

2900445

<https://www.phoenixcontact.com/us/products/2900445>



6.2 mm PLC basic terminal block with Push-in connection, without relay or solid-state relay, for mounting on DIN rail NS 35/7,5, 1 changeover contact, input voltage 24 V DC

PLC-V8C/PT-24DC/SAM2 - Controller

2907443

<https://www.phoenixcontact.com/us/products/2907443>

PLC-BSC- 24DC/21 - Relay base

2966016

<https://www.phoenixcontact.com/us/products/2966016>



6.2 mm PLC basic terminal block with screw connection, without relay or solid-state relay, for mounting on DIN rail NS 35/7,5, 1 changeover contact, input voltage 24 V DC

PLC-BPT- 24DC/ 1/SEN - Relay base

2900262

<https://www.phoenixcontact.com/us/products/2900262>



6.2 mm PLC basic terminal block for input functions with push-in connection, without relay or solid-state relay, for mounting on DIN rail NS 35/7,5, with sensor supply voltage distribution (BB), 1 N/O contact, input voltage 24 V DC

PLC-V8C/PT-24DC/SAM2 - Controller

2907443

<https://www.phoenixcontact.com/us/products/2907443>



PLC-BSC- 24DC/ 1/SEN - Relay base

2966061

<https://www.phoenixcontact.com/us/products/2966061>

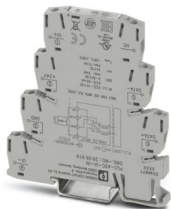


6.2 mm PLC basic terminal block for input functions with screw connection, without relay or solid-state relay, for mounting on DIN rail NS 35/7,5, with sensor supply voltage distribution (BB), 1 N/O contact, input voltage 24 V DC

PLC-ASC-UI-IN - Analog module

2906916

<https://www.phoenixcontact.com/us/products/2906916>



Analog input module for PLC logic logic modules (Generation 2 only), single-channel, signal type (4 mA ... 20 mA, 0 mA ... 20 mA, 0 V ... 10 V, 2 V ... 10 V) can be configured via DIP switch, screw connection

PLC-V8C/PT-24DC/SAM2 - Controller



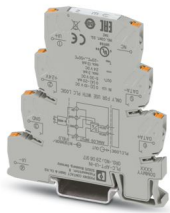
2907443

<https://www.phoenixcontact.com/us/products/2907443>

PLC-APT-UI-IN - Analog module

2906917

<https://www.phoenixcontact.com/us/products/2906917>



Analog input module for PLC logic logic modules (Generation 2 only), single-channel, signal type (4 mA ... 20 mA, 0 mA ... 20 mA, 0 V ... 10 V, 2 V ... 10 V) can be configured via DIP switch, Push-in connection

PLC-ASC-PT100-IN - Analog module

2906918

<https://www.phoenixcontact.com/us/products/2906918>



Pt 100/Pt 1000 temperature transducer for PLC logic logic modules (Generation 2 only), single-channel, signal type (Pt 100, Pt 1000) configurable via DIP switch, screw connection

PLC-V8C/PT-24DC/SAM2 - Controller



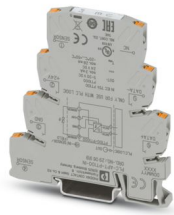
2907443

<https://www.phoenixcontact.com/us/products/2907443>

PLC-APT-PT100-IN - Analog module

2906919

<https://www.phoenixcontact.com/us/products/2906919>

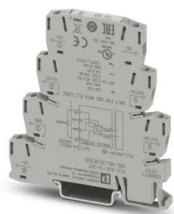


Pt 100/Pt 1000 temperature transducer for PLC logic logic modules (Generation 2 only), single-channel, signal type (Pt 100, Pt 1000) can be configured via DIP switch, Push-in connection

PLC-ASC-UI-OUT - Analog module

2906920

<https://www.phoenixcontact.com/us/products/2906920>



Analog output module for PLC logic logic modules (Generation 2 only), single-channel, signal type (4 mA ... 20 mA, 0 mA ... 20 mA, 0 V ... 10 V, 2 V ... 10 V) can be configured via DIP switch, screw connection

PLC-V8C/PT-24DC/SAM2 - Controller

2907443

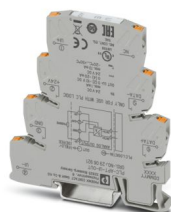
<https://www.phoenixcontact.com/us/products/2907443>



PLC-APT-UI-OUT - Analog module

2906921

<https://www.phoenixcontact.com/us/products/2906921>



Analog output module for PLC logic modules (Generation 2 only), single-channel, signal type (4 mA ... 20 mA, 0 mA ... 20 mA, 0 V ... 10 V, 2 V ... 10 V) can be configured via DIP switch, Push-in connection

SZS 0,4X2,5 VDE - Screwdriver

1205037

<https://www.phoenixcontact.com/us/products/1205037>



Screwdriver, slot-headed, VDE insulated, size: 0.4 x 2.5 x 80 mm, 2-component grip, with non-slip grip

PLC-V8C/PT-24DC/SAM2 - Controller



2907443

<https://www.phoenixcontact.com/us/products/2907443>

BTP 2043W - Touch panel

1050387

<https://www.phoenixcontact.com/us/products/1050387>



Touch panel with 10.92 cm / 4.3" TFT display (analog resistive), 480 x 272 pixel(s) (WQVGA), 16.7 million colors, Arm[®] Cortex[®]-A7, 528 MHz i.MX6 UL, 2x COM (RS-232/422/485), 1x USB 2.0, Typ A, 1x USB 2.0, Typ B, 1 x Ethernet (10/100 Mbps), RJ45, Windows[®] Embedded Compact 7 and user software: Visu+. (bus system: without)

BTP 2070W - Touch panel

1046666

<https://www.phoenixcontact.com/us/products/1046666>



Touch panel with 17.8 cm/7" TFT active display (analog resistive), 800 x 480 pixel(s) (WVGA), 16.7 million colors, Arm[®] Cortex[®]-A7, 528 MHz i.MX6 UL, 2x COM (RS-232/422/485), 1x USB 2.0, Typ A, 1x USB 2.0, Typ B, 1 x Ethernet (10/100 Mbps), RJ45, Windows[®] Embedded Compact 7 and user software: Visu+. (bus system: without)

PLC-V8C/PT-24DC/SAM2 - Controller



2907443

<https://www.phoenixcontact.com/us/products/2907443>

BTP 2102W - Touch panel

1046667

<https://www.phoenixcontact.com/us/products/1046667>



Touch panel with 25.7 cm / 10.1" TFT display (analog resistive), 1024 x 600 pixel(s) (WSVGA), 16.7 million colors, Arm[®] Cortex[®]-A7, 528 MHz i.MX6 UL, 2x COM (RS-232/422/485), 1x USB 2.0, Typ A, 1x USB 2.0, Typ B, 1 x Ethernet (10/100 Mbps), RJ45, Windows[®] Embedded Compact 7 and user software: Visu+. (bus system: without)

Phoenix Contact 2024 © - all rights reserved

<https://www.phoenixcontact.com>

Phoenix Contact USA

586 Fulling Mill Road

Middletown, PA 17057, United States

(+717) 944-1300

info@phoenixcon.com