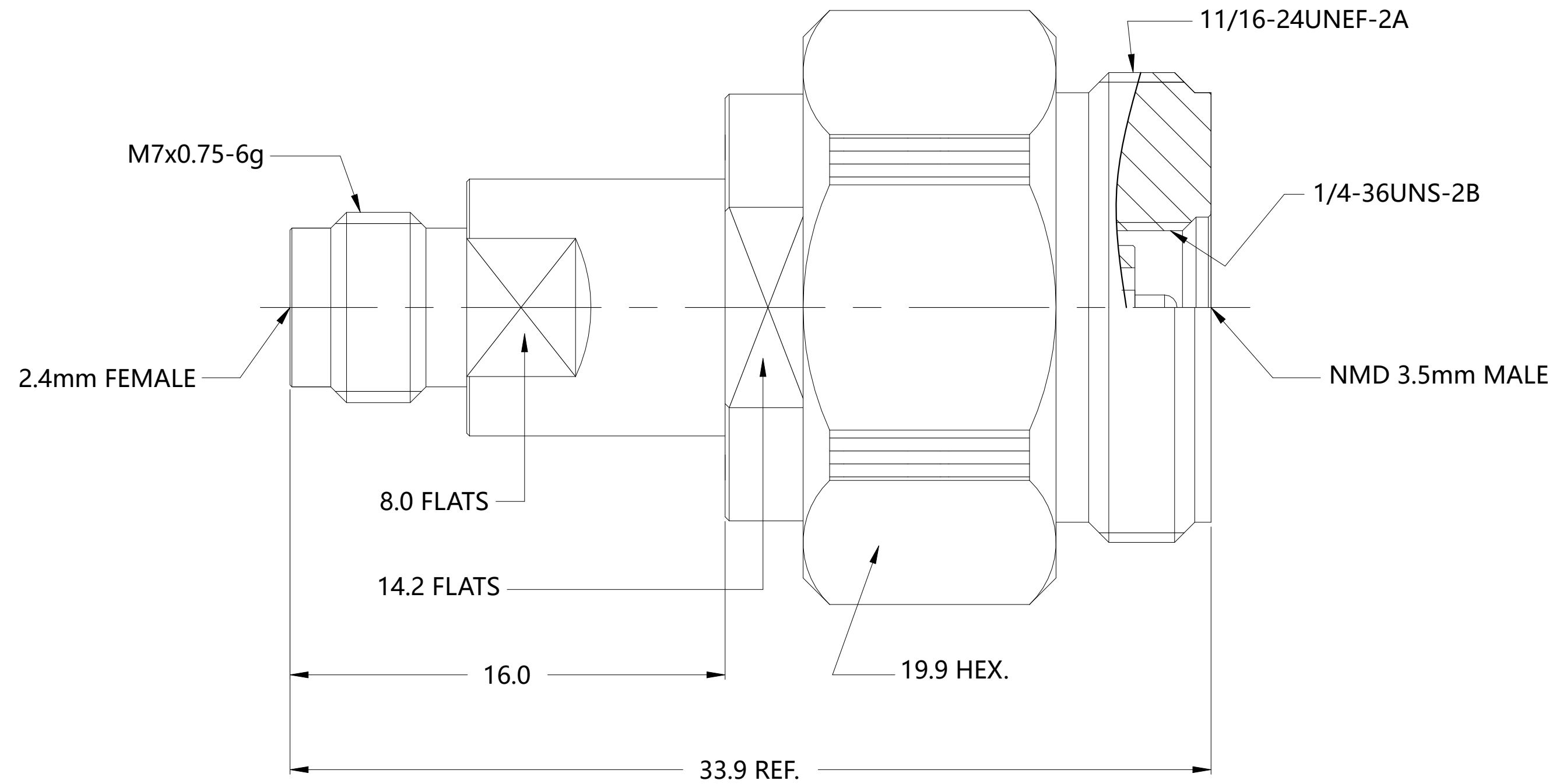


REVISIONS					
P	LTR	DESCRIPTION	DATE	DWN	APVD
A		ECN-23-235375;GTP	17OCT2023	TP	WH



ELECTRICAL	MECHANICAL	ENVIRONMENTAL
Impedance (Ohm): <u>50</u> Frequency Range: <u>DC to 33GHz</u> Voltage Rating (Peak) @ Sea Level <u>175 V RMS</u> Insulation Resistance (MIN.) <u>5000 M ohms</u> Contact Resistance (mohms MAX) Center Contact <u>2.2</u> Outer Contact <u>0.15</u> Dielectric Withstand Voltage: <u>500 V RMS Max</u> Insertion Loss : <u>&lt;0.05./F(GHz) dB</u> VSWR: <u>&lt;1.30 @ DC ~ 33GHz</u>	Interface Dimension <u>2.4mm female to 3.5 female</u> Force to Engage and Disengage Engage: <u>N/A</u> Disengage: <u>N/A</u> Center Contact Captivation Axial (lbs) <u>6 MIN</u> Radial (In/Oz) <u>N/A</u> Recommend Coupling Torque <u>9~14 in-lbs</u> Coupling Nut Retention Force <u>&gt;100 lbs</u> Cable Retention Axial (Lbs) <u>N/A</u> Mating cycles <u>500 cycles</u>	TEMPERATURE RANGE <u>-40 °C~+85 °C</u> ROHS <u>COMPLIANT</u>

QUANTITY PER ASSY	DESCRIPTION	MATERIAL	PLATING	ITEM
1	GOLD 50 u"/COPPER	BERYLLIUM COPPER	CONTACT PIN	3
1	-	PEI	INSULATOR	2
1	PASSIVATION	STAINLESS STEEL	BODY	1
2441417-1	PLATING	MATERIAL	DESCRIPTION	ITEM

THIS DRAWING IS A CONTROLLED DOCUMENT.

DWN	ED	16JUN2023
CHK	ED	16JUN2023
APVD	WH	16JUN2023

TE Connectivity

2.4mm FEMALE TO 3.5mm MALE STR NMD ADAPTOR,50 OHM

SIZE	CAGE CODE	DRAWING NO	RESTRICTED TO
A2	00779	C=2441417	-

CUSTOMER DRAWING SCALE 1:1 SHEET 1 OF 1 REV A