

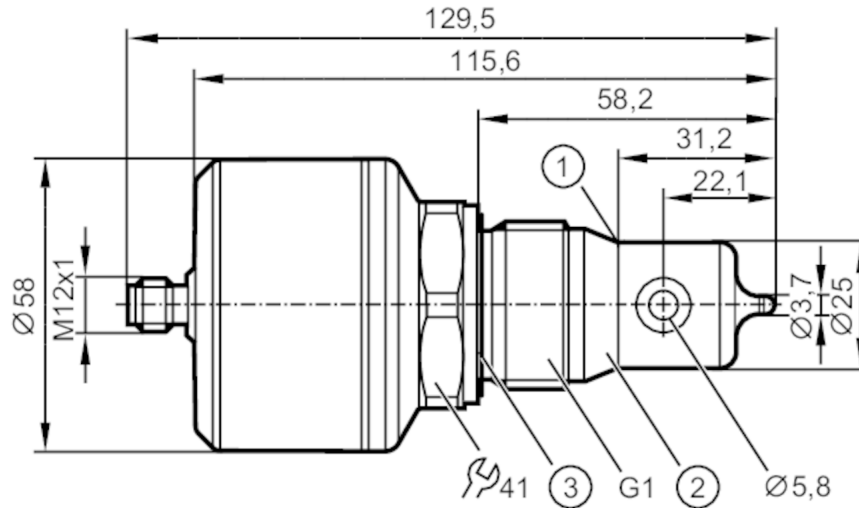
LDL210



Inductive conductivity sensor

IND CONDUCTIVITY HYG G1 SC

Digital meets analogue: integrating modern IO-Link sensors the analogue way. The EIO104 allows you to realise two analogue signals from intelligent IO-Link sensors with several process values.



- 1 sealing edge
- 2 Attention: The unit must only be installed in a process connection for G1 sealing cone. The G1A sealing cone of the unit is only suited for adapters with metal end stop.
- 3 Sealing



EC 1935/2004 EHEDG Certified FCM FDA UK CA

Product characteristics

Number of inputs and outputs	Number of analogue outputs: 1
Process connection	threaded connection G 1 external thread sealing cone

Application

Special feature	Gold-plated contacts
Media	conductive liquids
Note on media	water
	milk
	CIP liquids
Cannot be used for	See the operating instructions, chapter "Function and features".
Medium temperature [°C]	-25...100; (< 1 h: 150)
Pressure rating [bar]	16
Vacuum resistance [mbar]	-1000

Electrical data

Operating voltage [V]	18...30 DC
Current consumption [mA]	< 100
Protection class	III
Reverse polarity protection	yes
Power-on delay time [s]	2
Measuring principle	inductive

Inputs / outputs

Number of inputs and outputs	Number of analogue outputs: 1
------------------------------	-------------------------------

LDL210



Inductive conductivity sensor

IND CONDUCTIVITY HYG G1 SC

Outputs			
Total number of outputs		1	
Output signal		analogue signal; IO-Link	
Output function		analogue output; scalable; selectable conductivity / temperature	
Number of analogue outputs		1	
Analogue current output	[mA]	4...20	
Max. load	[Ω]	500	
Measuring/setting range			
conductivity measurement			
Measuring range	[μS/cm]	100...1000000	
Resolution	[μS/cm]	0...10.000	1
		10.000...100.000	10
		100.000...1.000.000	100
Temperature measurement			
Measuring range	[°C]	-25...150	
Accuracy / deviations			
conductivity measurement			
Accuracy (in the measuring range)		2 % MW ± 25 μS/cm	
Drift	[%/K]	0,1 %/K MW ± 25 μS/cm	
Repeatability		1 % MW ± 25 μS/cm	
Long-term stability		0,5 % MW ± 25 μS/cm	
Temperature measurement			
Accuracy	[K]	20...50 °C: < ± 0,2 K; -25...150 °C: < ± 1,5 K	
Repeatability	[K]	0,2	
Resolution	[K]	0.1	
Response times			
conductivity measurement			
Response time	[s]	< 2; (T09; Damping = 0)	
Temperature measurement			
Response time	[s]	< 40; (T09)	
Interfaces			
Communication interface		IO-Link	
Transmission type		COM2 (38,4 kBaud)	
IO-Link revision		1.1	
SDCI standard		IEC 61131-9	
Profiles		Measuring Sensor, Identification and Diagnosis	
SIO mode		no	
Required master port type		A	
Process data analogue		1	
Min. process cycle time	[ms]	5.6	
Supported DeviceIDs	Type of operation	DeviceID	
	default	922	

LDL210



Inductive conductivity sensor

IND CONDUCTIVITY HYG G1 SC

Operating conditions		
Ambient temperature	[°C]	-40...60
Storage temperature	[°C]	-40...85
Protection		IP 68; IP 69K; (7 days / 3 m water depth / 0.3 bar: IP 68)
Tests / approvals		
EMC	DIN EN 61000-6-2	
	DIN EN 61000-6-3	in a closed metal tank
Shock resistance	DIN EN 60068-2-27	50 g (11 ms)
Vibration resistance	DIN EN 60068-2-6	20 g (10...2000 Hz)
UL approval	File number UL	E364788
Mechanical data		
Weight	[g]	736.5
Materials		stainless steel (316L/1.4404); PEEK; PEI; FKM
Materials (wetted parts)		PEEK
Process connection		threaded connection G 1 external thread sealing cone
Remarks		
Remarks		Attention: The unit must only be installed in a process connection for G1 sealing cone. The G1A sealing cone of the unit is only suited for adapters with metal end stop. MW = measured value
Notes		Digital meets analogue: integrating modern IO-Link sensors the analogue way. The EIO104 allows you to realise two analogue signals from intelligent IO-Link sensors with several process values.
Pack quantity		1 pcs.
Electrical connection		
Connector: 1 x M12 (EN 61067-2-101); coding: A; Contacts: gold-plated		

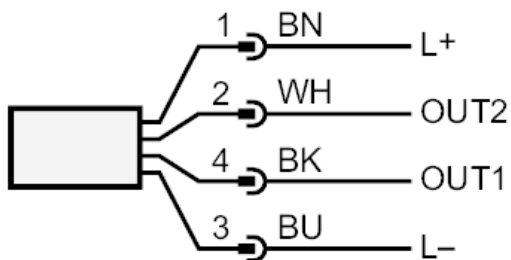
LDL210



Inductive conductivity sensor

IND CONDUCTIVITY HYG G1 SC

Connection



OUT1
OUT2

IO-Link
analogue output
colours to DIN EN 60947-5-2
Core colours :

BK = black
BN = brown
BU = blue
WH = white